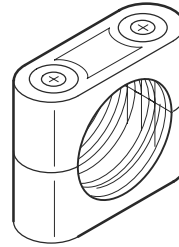
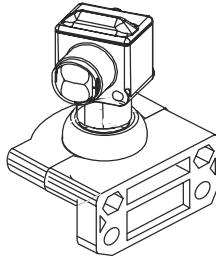
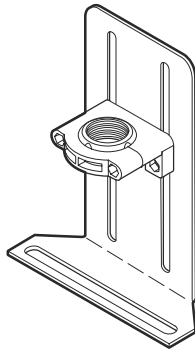


Accessories

Contents



Description

Rockwell Automation/Allen-Bradley offers a wide range of accessories to complement your selection of photoelectric sensors. These range from sensor and reflector mounting brackets, reflectors, reflective tape, to intrinsic safety barriers for hazardous location applications.

For mounting of photoelectric sensors we offer a variety of 18mm and 30mm swivel/tilt brackets which allow for 360° rotation and up to 10° vertical height adjustment. These brackets are made of a durable Valox® material to withstand the harshest washdown environments. For light duty applications select from many of our metal straight and right angle mounting brackets. To protect your investment we also offer impact brackets to aid in the protection of the sensor from moving objects.

For photoelectric sensors which require reflectors and reflective tape, we offer the most complete line in the industry. Select from general purpose reflectors of varying dimensions or from high reflectivity microcube reflectors for extended sensing range or higher margin in heavily contaminated environments.

When installing sensors in hazardous locations, Rockwell Automation/Allen-Bradley offers a complete line of intrinsic safety barriers and isolators for use with our line of intrinsically safe photoelectric sensors. When the installation calls for explosionproof technology, select from our line of explosionproof (NEMA 7/9) rated enclosures.

Mounting Brackets ... page 1–375

Accessories and Replacement Parts .. page 1–380

Reflector Mounting Brackets page 1–385

Reflectors, Reflective Tape page 1–386

Description	Catalog Number	Used for	Dimensions
Swivel/Tilt bracket allows $\pm 10^\circ$ vertical and 360° rotation adjustment.	60-2649	RightSight	
	60-2439	Series 9000 Series 10,000 Color Sight LaserSight	
	60-2681	ClearSight 9000 ClearSight 10,000	
	60-2619	Series 7000	
	60-2618	Series 6000	
Right angle mounting bracket allows 30° horizontal adjustment.	60-2664	MiniSight 42CA, 42CB	
	60-2657	RightSight MiniSight 42CA, 42CB	
Right angle mounting bracket permits a 360° rotation adjustment. The 60-2513 bracket has mounting hole patterns compatible with the 60-1785.	60-2421 60-2513	Series 9000 Series 10,000 ClearSight 9000 ClearSight 10,000 ColorSight LaserSight	

Accessories

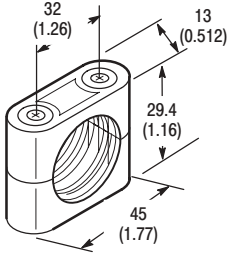
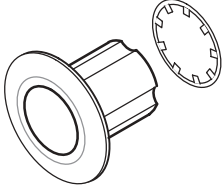
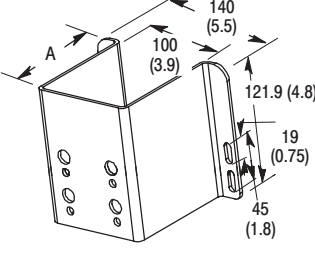
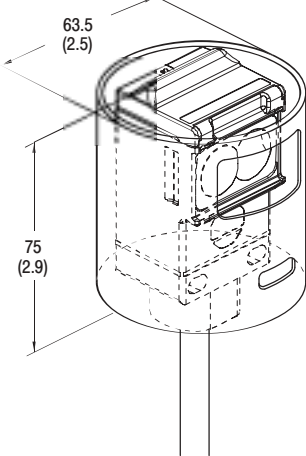

Mounting Brackets

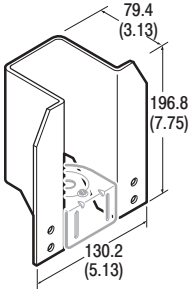
Description	Catalog Number	Used for	Dimensions
<p>Right angle mounting bracket allows 40° horizontal rotation. The 60-2152 permits a 30° horizontal rotation.</p>	<p>60-2151 60-2152</p>	<p>Series 7000</p>	
<p>Right angle mounting bracket with 25.4mm (1in) knockout for Series 6000 sensor.</p>	<p>60-2006</p>	<p>Series 6000</p>	
<p>Tilt mounting bracket provides 30° vertical height adjustment.</p>	<p>60-2007</p>	<p>Series 6000</p>	
<p>Right angle mounting bracket allows for both horizontal and vertical adjustment.</p>	<p>60-2008</p>	<p>Series 6000</p>	
<p>Right angle mounting bracket provides vertical height and 360° rotation.</p>	<p>60-1785</p>	<p>Series 5000</p>	

Description	Catalog Number	Used for	Dimensions
<p>Right angle mounting bracket intended for use with Unistrut™ channel provides many vertical and horizontal adjustments.</p>	<p>60-2014</p>	<p>Series 5000</p>	
<p>Right angle mounting bracket allows 360° rotation and has hole patterns to match standard NEMA style limit switches.</p>	<p>60-2230</p>	<p>Series 5000</p>	
<p>Right angle mounting bracket provides 360° rotation.</p>	<p>60-1479</p>	<p>Series 4000</p>	
<p>Straight mounting bracket provides 30° horizontal rotation.</p>	<p>60-2656</p>	<p>RightSight MiniSight 42CA, 42CB</p>	
<p>Side mounting bracket provides 30° of vertical and 20° of horizontal rotation.</p>	<p>60-2663</p>	<p>RightSight MiniSight 42CA, 42CB</p>	
<p>Photoelectric sensor vertical height adjustment bracket slotted for any swivel/tilt bracket.</p>	<p>60-2721 (2in x 4in) 60-2722 (2in x 6in) 60-2723 (2in x 8in) 60-2724 (2in x 10in)</p>	<p>RightSight Series 9000 Series 10,000 ClearSight 9000 ClearSight 10,000 ColorSight LaserSight</p>	

Accessories

Mounting Brackets

Description	Catalog Number	Used for	Dimensions
Clamp style bracket fits any 18mm sensor.	871A-BP18	RightSight MiniSight 42CA, 42CB	
Flush mount adaptor allows any 18mm sensor to be mounted flush against panel surface.	60-2590	RightSight MiniSight 42CA, 42CB	
Heavy duty impact bracket of #12 steel can be used with swivel/tilt bracket.	60-2695 A = 76mm (3in)	RightSight MiniSight Series 9000 Series 10,000 ColorSight LaserSight	
	60-2702 A = 117mm (4.6in)	ClearSight 9000 ClearSight 10,000	
Heavy duty impact bracket of #12 steel can be used with swivel/tilt bracket.	60-2725	Series 9000 Series 10,000	
Heavy duty mounting bracket designed for use in high vibration applications provides both horizontal and vertical height adjustment.	60-1748	Series 5000	

Description	Catalog Number	Used for	Dimensions
<p>Heavy duty impact bracket of #12 steel can be used with the 60-1785 mounting bracket.</p>	<p>60-2083</p>	<p>Series 5000</p>	
<p>Heavy duty impact bracket protects sensor and provides 60° horizontal adjustment.</p>	<p>60-1665</p>	<p>Series 4000</p>	