

INSIDE EDGE OF ENCLOSURE TOP SIDE

BUL. 1494V-DS100 (SERIES C)
RIGHT HAND FLANGE

HANDLE
MTG HOLE

FLANGE CUTOUT FOR THE
FOLLOWING HANDLES
1494F-MI, -PI, -SI

(4) 7/32 DIA. HOLES
FOR 10-32 TAPTITE SCREWS.
DISCONNECT SWITCH
MOUNTING HOLES

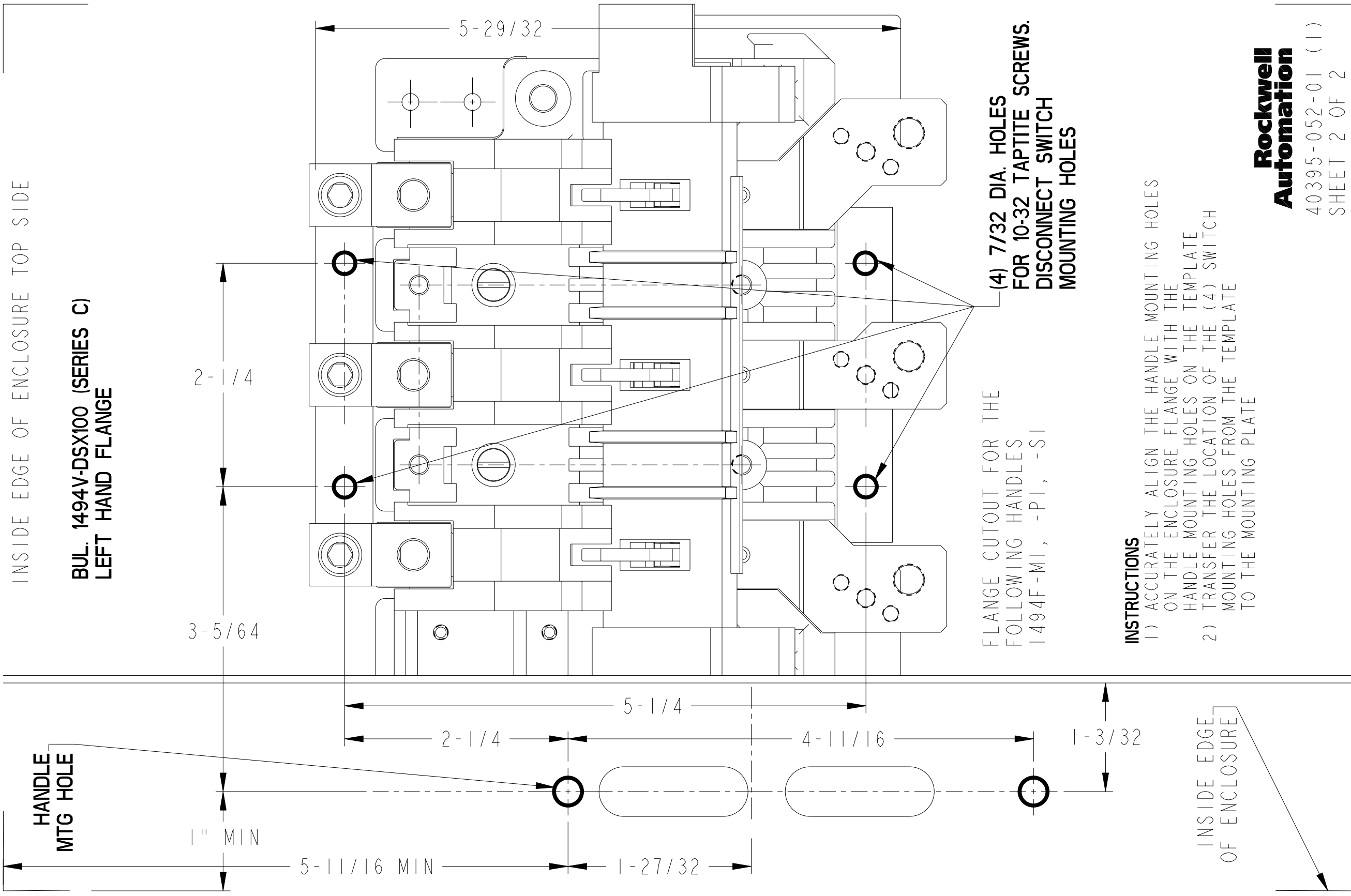
INSTRUCTIONS

- 1) ACCURATELY ALIGN THE HANDLE MOUNTING HOLES ON THE ENCLOSURE FLANGE WITH THE HANDLE MOUNTING HOLES ON THE TEMPLATE
- 2) TRANSFER THE LOCATION OF THE (4) SWITCH MOUNTING HOLES FROM THE TEMPLATE TO THE MOUNTING PLATE

**Rockwell
Automation**

40395-052-01 (1)
SHEET 1 OF 2

FRONT SIDE OF 2 SIDED TEMPLATE



INSIDE EDGE OF ENCLOSURE TOP SIDE

**BUL. 1494V-DSX100 (SERIES C)
LEFT HAND FLANGE**

HANDLE
MTG HOLE

1" MIN

5-11/16 MIN

BACK SIDE OF 2 SIDED TEMPLATE

FLANGE CUTOUT FOR THE
FOLLOWING HANDLES
1494F-MI, -PI, -SI

(4) 7/32 DIA. HOLES
FOR 10-32 TAPTITE SCREWS.
DISCONNECT SWITCH
MOUNTING HOLES

INSTRUCTIONS

- 1) ACCURATELY ALIGN THE HANDLE MOUNTING HOLES ON THE ENCLOSURE FLANGE WITH THE HANDLE MOUNTING HOLES ON THE TEMPLATE
- 2) TRANSFER THE LOCATION OF THE (4) SWITCH MOUNTING HOLES FROM THE TEMPLATE TO THE MOUNTING PLATE

INSIDE EDGE
OF ENCLOSURE

**Rockwell
Automation**

40395-052-01 (1)
SHEET 2 OF 2