

Bulletin 700-PS

- Solid-State Timer
- 600V AC Maximum
- 300V DC Maximum

TABLE OF CONTENTS

Description	Page	Description	Page
Product Selection	254	Specifications	255
Bulletin 700-PS Solid-State Timing Relays		Bulletin 700-PS Solid-State Timing Relays	
Accessories	254	Approximate Dimensions	256
Bulletin 700-PS Solid-State Timing Relays			

Description

Bulletin 700-PS is an accurate solid-state timer that can be mounted on 4-pole Bulletin 700-P, -PK, -R, or -RM relays and on 2-pole Bulletin 700-PH relays. With the aid of an adapter plate, you can also mount the timer for standalone use directly on a panel or on Bulletin 700-MP universal mounting strips.

The time delay is set by a self-contained or external potentiometer. The timer output is a normally open sealed contact. Encapsulated circuitry improves reliability and protects against vibration, humidity, and airborne contaminants.

Connection Cable for External Potentiometer — Use shielded twisted pair cable, maximum of 50 feet. Recommended cable (or equivalent): UL Style 2517, having two #18 stranded conductors with aluminum mylar foil shield and #20 drain wire. Rated +105°C, FR-1, 300V.

Conformity to Standards:

NEMA B600
NEMA P300

Approvals:

CSA Certified
UL Listed,
File E10314
Class I, Div 2, Groups A, B, C and D


Your order must include:

- Cat. No. of the relay selected.
- If required, Cat. No. of any accessories.


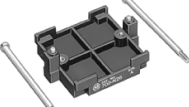
Bulletin 700-PS Industrial Timer Relays

Product Selection

Bulletin 700-PS

 <p>Solid-State Timer Cat. No. 700-PSPA1</p>	Mode	Nominal Range ❶	Timing Relay with Self-Contained Potentiometer Unit	Timing Relay for Use with External Potentiometer Unit
			Cat. No. ❷	Cat. No. ❸
	On-Delay	0.1...2 s 0.4...8 s 1.5...30 s 6...120 s	700-PSAA1 700-PSBA1 700-PSCA1 700-PSDA1	700-PSRAA1 700-PSRBA1 700-PSRCA1 700-PSRDA1
Off-Delay	0.1...2 s 0.4...8 s 1.5...30 s 6...120 s	700-PSPA1 700-PSRA1 700-PSTA1 700-PSUA1	700-PSRPA1 700-PSRRA1 700-PSRTA1 700-PSRUA1	

Bulletin 700-PS — Accessories

 <p>Cat. No. 700-N25</p>  <p>Cat. No. 700-N26</p>	Description			Cat. No. ❹
	Adapter Plate — For mounting Bulletin 700-PS timers directly on a panel or on Bulletin 700-MP universal mounting strips.			700-N25
	Adapter for Bulletin 700-R, -RM Relays Allows you to mount the Bulletin 700-PS timer on a 1- to 4-pole Bulletin 700-R or -RM relay.			700-N26
	External Potentiometers for Remote Mounting	Timing Range (s) ❷	Resistance (MΩ)	Cat. No. ❸ ❹
		0.1...2	0.75	700-N35
0.4...8		0.75	700-N35	
1.5...30		2.0	700-N36	
	6...120	3.5	700-N37	

❶ The maximum range may be 50% greater and the minimum range may be 50% less than the values specified.

❷ The maximum time may be 50% longer and the minimum may be 50% shorter than the values specified.

❸ This Cat. No. includes only the potentiometer. Order **Cat. No. 800T-N37** for the potentiometer operator and housing.

❹ All Cat. Nos. are factory stocked

Bulletin 700-PS

Supply Voltage	110...120V AC, 50/60 Hz
Power Requirement	4 VA, 2.5 W
Output Contact Ratings	NEMA B600 and P300. See page 29.
Operating Temperature Range	-20...+60°C ambient (-4...+140°F)
Reset Time	20 ms
Repeat Accuracy, Constant Voltage and Temperature	±2% of setting or ±0.004 s, whichever is greater
UL Listed	Class I, Division 2, Groups A, B, C, and D hazardous locations as defined by the National Electrical Code.

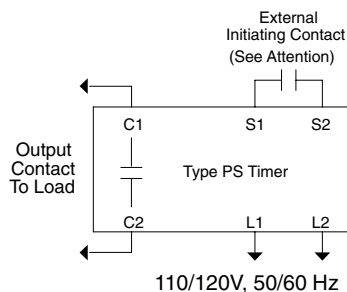
Operation

The timer must be energized continuously (L1-L2).

ON-Delay: When the initiating contact closes, timing begins. At time-out, the output contact closes.

OFF-Delay: When the initiating contact closes, the output contact closes instantly. When the initiating contact re-opens, timing begins. At time-out, the output contact re-opens.

Typical Wiring Diagram ●



Attention — To avoid damage to timer, do not switch any load in addition to timing relay at terminals S1-S2. Do not apply an external voltage to terminals S1-S2.

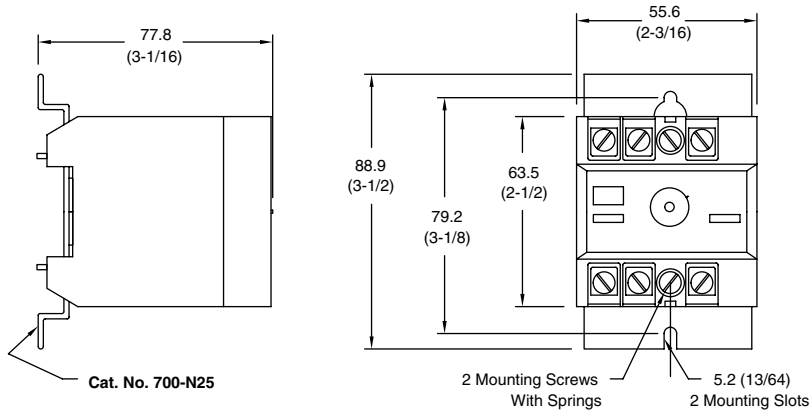
● Note: External Potentiometer units have R1, R2 terminals for connecting the potentiometer.

Bulletin 700-PS
Industrial Timer Relays

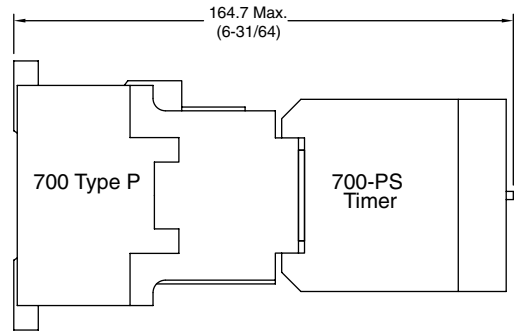
Approximate Dimensions

Dimensions are shown in millimeters (inches). Dimensions are not intended to be used for manufacturing purposes.

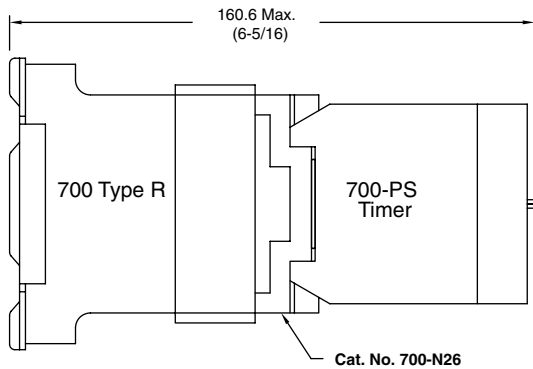
Bulletin 700-PS



*Bulletin 700-PS Timer Mounted on the Adapter Plate
 Cat. No. 700-N25
 Approximate Shipping Wt. 0.45 kg (1 lb.)*



*Bulletin 700-PS Timer Mounted on a 4-Pole
 Bulletin 700-P or -PK, or 2-Pole Bulletin 700-PH Relay
 Approximate Shipping Wt. 1.02 kg (2-1/4 lbs.)*



*Bulletin 700-PS Timer Mounted on a 4-Pole
 Bulletin 700-R or -RM Relay
 Approximate Shipping Wt. 1.25 kg (2-3/4 lbs.)*