

Bulletin 700-ZP

- Performs similar function as a safety relay
- Checks for Welded Contact
- Redundant Output Circuits
- AC and DC Voltages Available
- Output Contact Ratings:
 - NEMA A600 AC 10 A 600V
 - NEMA P600 DC 5 A 600V
- 20 A Output Available Using 700-CPM Contacts. Ratings:
 - 20 A 600V AC
 - 10 A 600V DC
- Mounted on a Mounting Strip

TABLE OF CONTENTS

Description	Page	Description	Page
Product Selection	1	Approximate Dimensions	246
Specifications	245		

Description

Bulletin 700-ZP Self-Monitoring Relays are an assembly of standard components, including three 700-P relays interwired according to a redundant, self-monitoring circuit. These products are designed to meet the requirements for component category 4, as outlined in pr EN 954-1 ①. The basic circuit also detects push button conditions and monitors input devices.

The Bulletin 700-ZP is available with one to eight monitored outputs. The relays are standard Bulletin 700-P. Convertible contact cartridges (10 A — Cat. No. 700-CP1 and 20 A — Cat. No. 700-CPM), timers, and all 700-P attachments can be used to enhance circuit operation.

- ① User must properly apply and maintain each relay (without modification).

Conformity to Standards:

NEMA A600/P600
IEC 947-4-1, 947-5-1
BS4794
VDE 0660
pr EN 954 for Category 1, 2, 3, and 4 Use

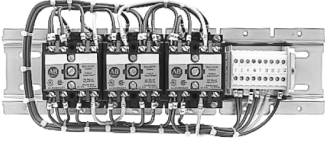
Approvals:

UL Listed: To U.S. and Canadian
Safety Standards, File E14840
CE Certified

Your order must include:

- Cat. No. of the relay selected.
- Coil voltage suffix code.
- If required, Cat. No. of any accessories.

Convertible Contacts

	Description	Output	Cat. No. ②
	 <p><i>Cat. No. 700-ZP100A1</i></p>	AC Relays ①	
Basic Circuit (120V AC)		1 – Monitored	700-ZP100A1
Basic Circuit Using 8-Pole Relays (120V AC)		5 – Monitored	700-ZP500A1
Basic Circuit Using 12-Pole Relays (120V AC)		8 – Monitored	700-ZP800A1
DC Relays ①			
Basic Circuit (24V DC)		1 – Monitored	700-ZP100Z24
Basic Circuit Using 8-Pole Relays (24V DC)		5 – Monitored	700-ZP500Z24
Basic Circuit Using 12-Pole Relays (24V DC)		8 – Monitored	700-ZP800Z24

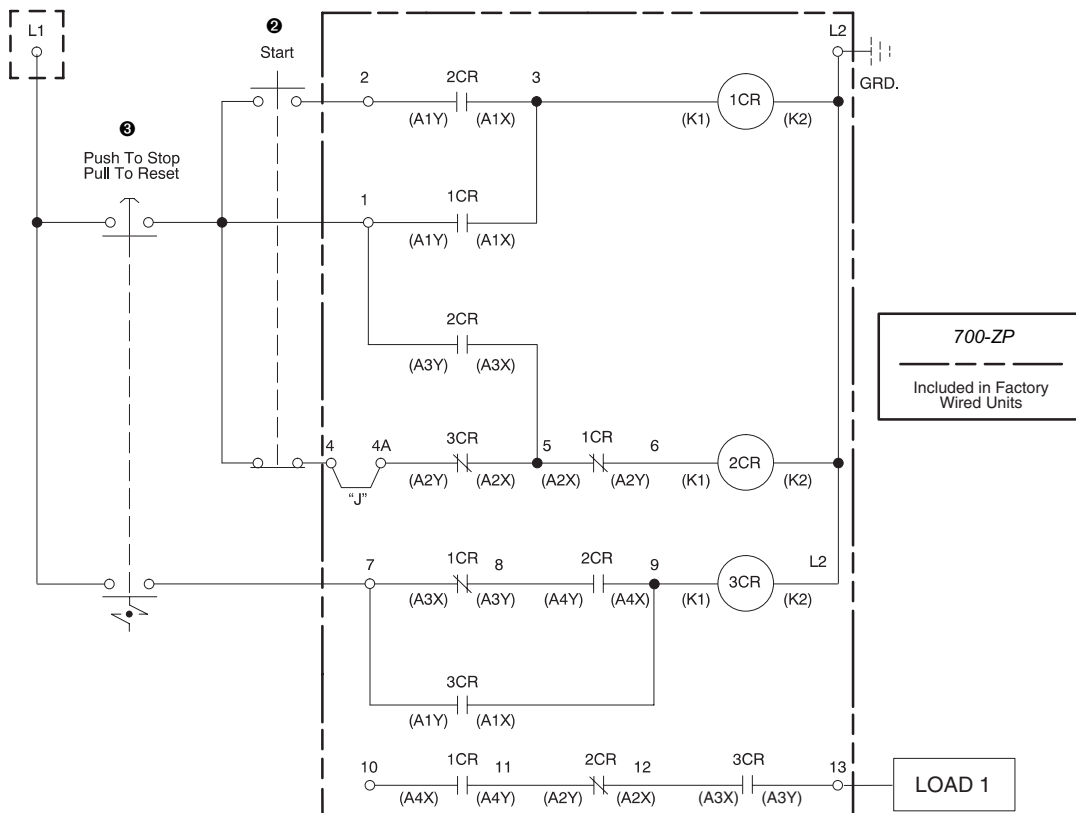
① For voltages other than the 120V AC or 24V DC, see page 251 for options and voltage codes.

② All Cat. Nos. are factory stocked.

Schematic Diagram 700-ZP Relays ①

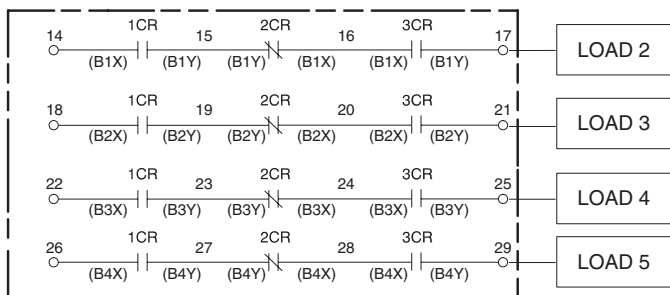
Basic Circuit

700-ZP100 – (1) Output Circuit (3 Relays, 9 Terminal Blocks)



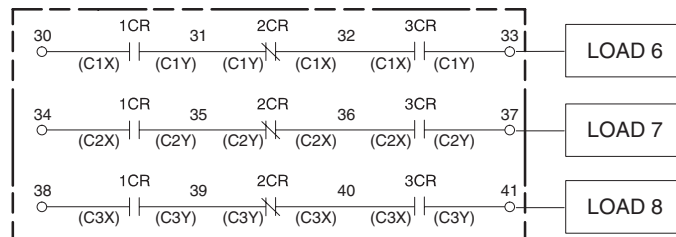
700-ZP500 – (5) Output Circuit (3 Relays, 17 Terminal Blocks)

- Basic circuit plus the additional outputs shown.
- Contact cartridges
 10 A 700-CP1
 20 A 700-CPM



700-ZP800 – (8) Output Circuit (3 Relays, 23 Terminal Blocks)

- 5 output circuit plus the additional outputs shown.



- ① Self-Monitoring Relay Assemblies can not include 700-CPR (Logic Reed) or 700-CP11Z (Overlapping) contacts.
- ② Push Button using (1) XA Contact Block.
- ③ Push Button using (2) XD2 Contact Blocks (diagram shown in Stopped/Open position).

Note: Customer-installed control circuit. ②③
Note: Circuits are wired using #14 AWG wire.

Industrial Relays**Approximate Dimensions**

Dimensions are shown in millimeters (inches). Approximate dimensions are not intended to be used for manufacturing purposes.

	Length	Height	Depth
700-ZP100A1 (3 Relays, 9 Terminal Blocks):	342.9 (13-1/2)	152.4 (6)	101.6 (4)
700-ZP500A1 (3 Relays, 17 Terminal Blocks):	342.9 (13-1/2)	152.4 (6)	134.6 (5-5/16)
700-ZP800A1 (3 Relays, 23 Terminal Blocks):	400.0 (15-3/4)	152.4 (6)	165.1 (6-1/2)
700-ZP100Z24 (3 Relays, 9 Terminal Blocks):	342.9 (13-1/2)	152.4 (6)	121.9 (4-13/16)
700-ZP500Z24 (3 Relays, 17 Terminal Blocks):	342.9 (13-1/2)	152.4 (6)	154.9 (6-3/32)
700-ZP800Z24 (3 Relays, 23 Terminal Blocks):	400.0 (15-3/4)	152.4 (6)	188.0 (7-13/32)