



Bulletin 700S-P

- Mechanically Linked Contacts Meeting IEC 947-5-1-L
- 2...12 poles – all Mechanically Linked
- Red Faceplate for Easy Identification of Safety Circuits
- IEC Mechanically linked Contacts Symbol Displayed on Front
- Double-break Contacts to Reduce Probability of Welded Contacts
- Visual Indication of Contact State
- Tamper Resistant Cover Helps Prevent Changes Which Could Jeopardize Safety
- Complete Catalog Number Displayed on Front
- Ideal for use in Safety Circuits

Table Of Contents

Product Selection202
Specifications203
Approximate Dimensions204

Type S-P Safety Control Relays — AC and DC Coil Voltages



Connection Diagrams and terminal markings			Contacts		AC Coils	24V DC Coils
Coil and Main Contacts	Additional Contacts	Additional Contacts			Cat. No. ❶	Cat. No. ❶
			N.O.	N.C.		
	—	—	3	1	700S-P310⊗	700S-DCP310Z24
	—	—	2	2	700S-P220⊗	700S-DCP220Z24
	B1X B2X B3X B4X B1Y B2Y B3Y B4Y	—	7	1	700S-P710⊗	700S-DCP710Z24
	B1X B2X B3X B4X B1Y B2Y B3Y B4Y	—	6	2	700S-P620⊗	700S-DCP620Z24
	B1X B2X B3X B4X B1Y B2Y B3Y B4Y	—	5	3	700S-P530⊗	700S-DCP530Z24
	B1X B2X B3X B4X B1Y B2Y B3Y B4Y	—	4	4	700S-P440⊗	700S-DCP440Z24
	B1X B2X B3X B4X B1Y B2Y B3Y B4Y	—	3	5	700S-P350⊗	700S-DCP350Z24
	B1X B2X B3X B4X B1Y B2Y B3Y B4Y	C1X C2X C3X C4X C1Y C2Y C3Y C4Y	10	2	700S-P1020⊗	700S-DCP1020Z24

❶ For other coil voltages, consult your local Allen-Bradley Sales Office. All Cat. Nos. are factory-stocked.

⊗ AC Voltage Suffix Code

The Cat. No. as listed is incomplete. Select a voltage suffix code from the table below to complete the Cat. No.

Example: Cat. No. 700S-P310 becomes Cat. No. 700S-P310A1 for a 120V AC coil.

Hz	24	115-120	230-240	277	460-480
60	A24	A1	A2	A27	A4

Type		700S-P					
		Electrical					
Contact Rating Continuous		10 A @ 600V AC 5 A @ 600V DC					
Ratings	AC	NEMA A600					
Make/Break	DC	NEMA P600					
Minimum Contact Switching Ratings		10V, 50 mA					
	Contacts in Series	Volts DC					
		24	64	125	250	500	600
DC Switching	1	5 A	2.2 A	1.1 A	0.55 A	0.24 A	0.2 A
	2	10 A	10 A	5 A	2 A	0.7 A	0.5 A
	3	—	—	7 A	3 A	1.5 A	1.0 A
	4	—	—	10 A	5 A	2.5 A	1.5 A
Contact Electrical Life—Resistive Loads		1.5 million operations at 10A break at 120V AC 14 million operations at 1A break at 120V AC 6 million operations at 1A break at 24V DC					
Coil Voltage Range ❶	AC	85...110%					
	DC	80...110%					
	Battery Charging	85...115%					
Coil Consumption	AC	Inrush	50 Hz			60 Hz	
			132 VA			138 VA	
	DC	Inrush	19.3 VA			19 VA	
			12.7 W			12.7 W	
	DC	Sealed	12.7 W			12.7 W	
			12.7 W			12.7 W	
		Mechanical					
Mechanically Linked Contacts		All contacts are mechanically linked per IEC 947-5-1 annex L for 2 to 12 poles					
Operating Time	Pickup	AC – 10...20 ms DC – 30...50 ms					
	Dropout	AC – 10...20 ms DC – 20...33 ms					
Mechanical Life		12.5 million operations ❷					
		Construction					
Contact Arrangement		2 to 12 Poles, Double Break Contacts N.O. or N.C. (8 N.C. Maximum)					
Contact Material/Design		Silver Nickel/Bifurcated					
Mounting		Panel mount or mount on 700-MP Rail Horizontal Mounting Recommended					
		Environmental					
Temperature	Operating ❸	–20...+65°C (–4...149°F)					
	Storage	–40...+65°C (–40...149°F)					
		Wire Terminations					
Wire size per UL/CSA		1X #18 AWG...2X #12 AWG					
Tightening Torque		8...12 lb-in. (0.9...1.4 N•m)					

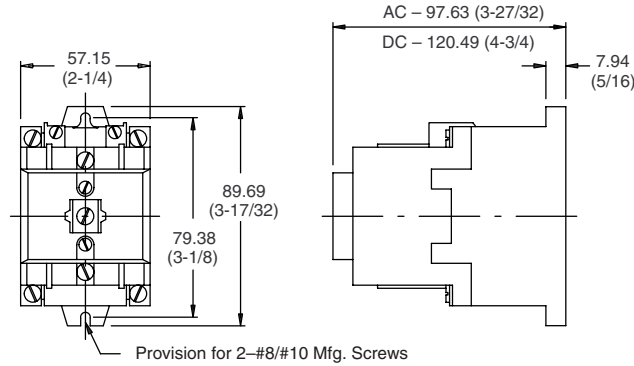
❶ Coil voltage required for proper operation (percent of rated coil voltage).

❷ 90% of devices are expected to meet or exceed 12.5 million operations, and 50% of devices are expected to meet 20 million operations.

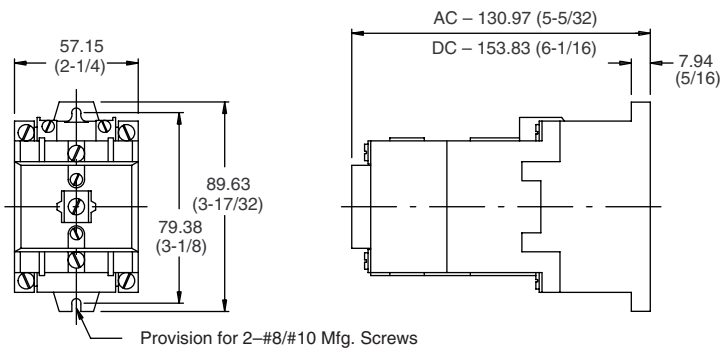
❸ Temperature inside the panel.

Bulletin 700S-P
Industrial Relays
Approximate Dimensions

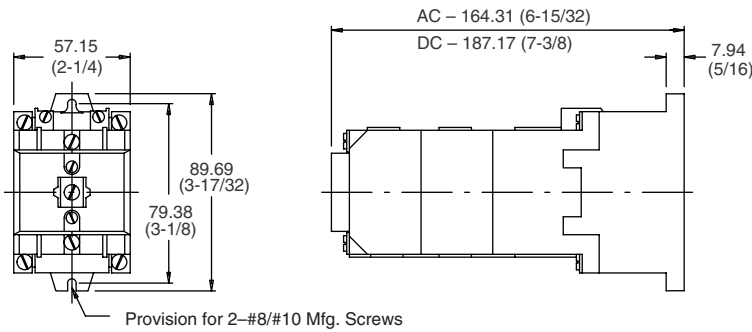
Dimensions are shown in millimeters (inches). Dimensions are not intended for manufacturing purposes.



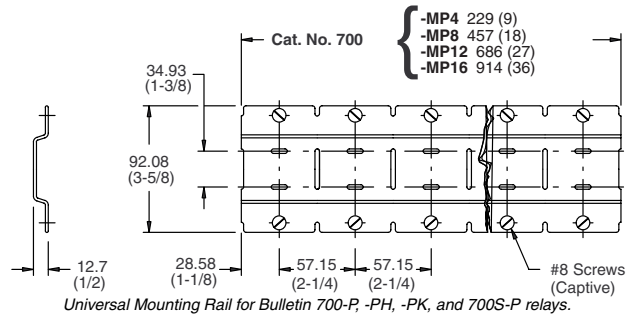
2-pole and 4-pole Bulletin 700S-P Relay
 Approximate Shipping Weight AC – 0.68 kg (1.5 lbs.),
 DC – 1.34 kg (2.95 lbs.)



6- and 8-pole Bulletin 700S-P Relay
 Approximate Shipping Weight AC – 0.79 kg (1.75 lbs.),
 DC – 1.45 kg (3.20 lbs.)



10- and 12-pole Bulletin 700S-P Relay
 Approximate Shipping Weight AC – 1.02 kg (2.25 lbs.),
 DC – 1.68 kg (3.7 lbs.)



Secure the mounting strip with 2 screws at each end relay position.
 Use a minimum of one screw at the 3rd, 5th, 7th, etc., relay positions.
 Alternate between upper and lower horizontal slots.