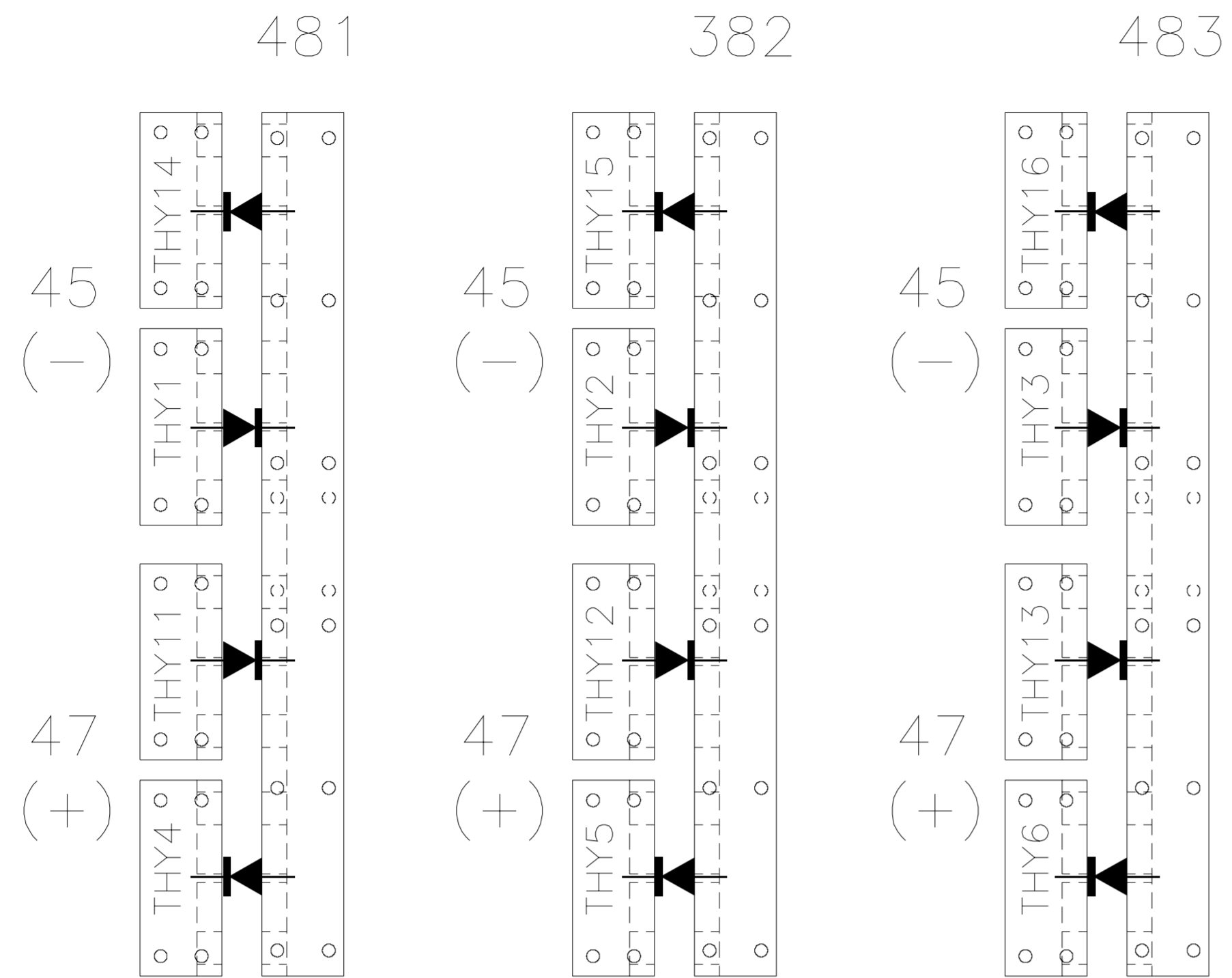
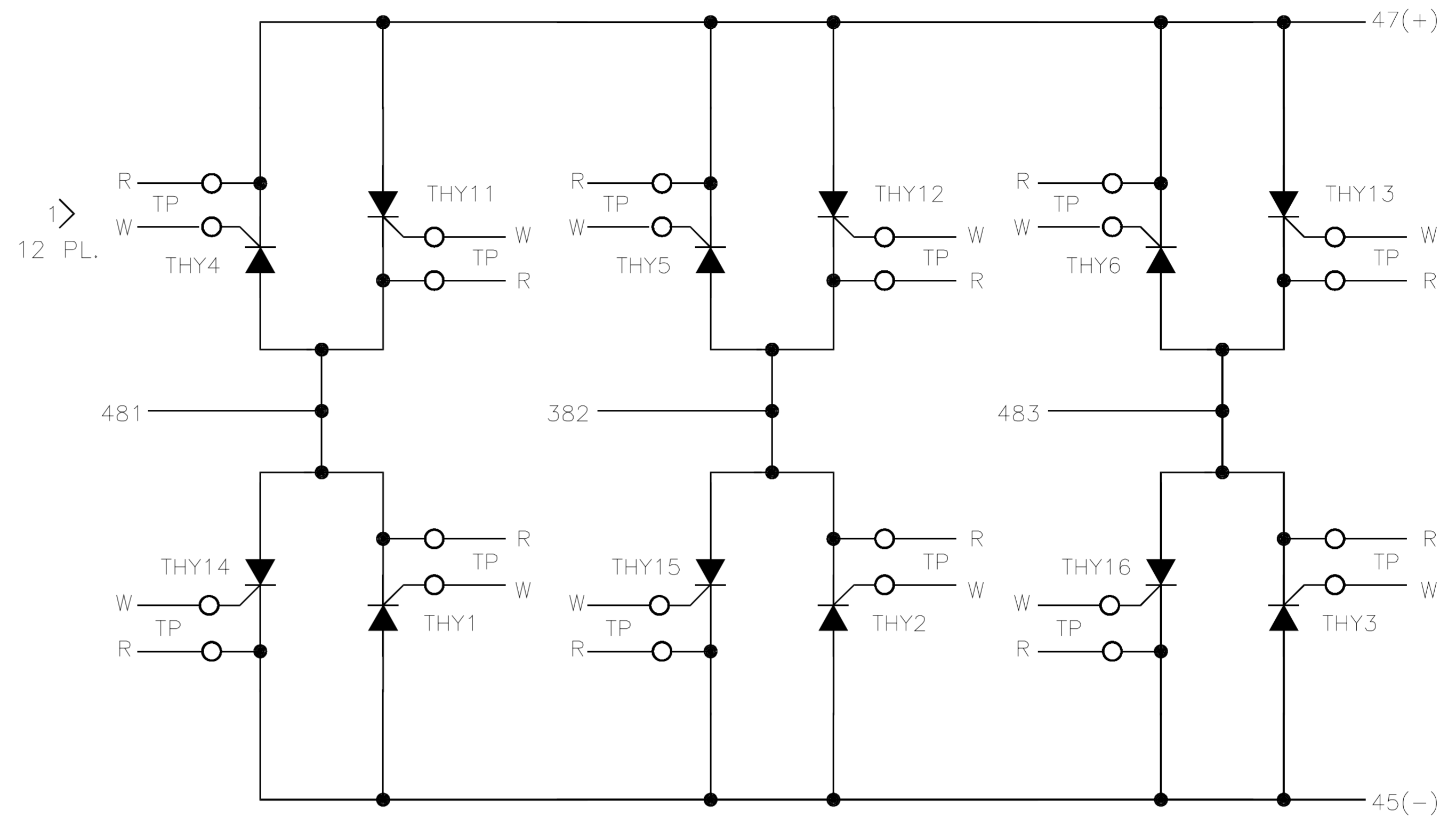


MECHANICAL ARRANGEMENT S6R

S6R

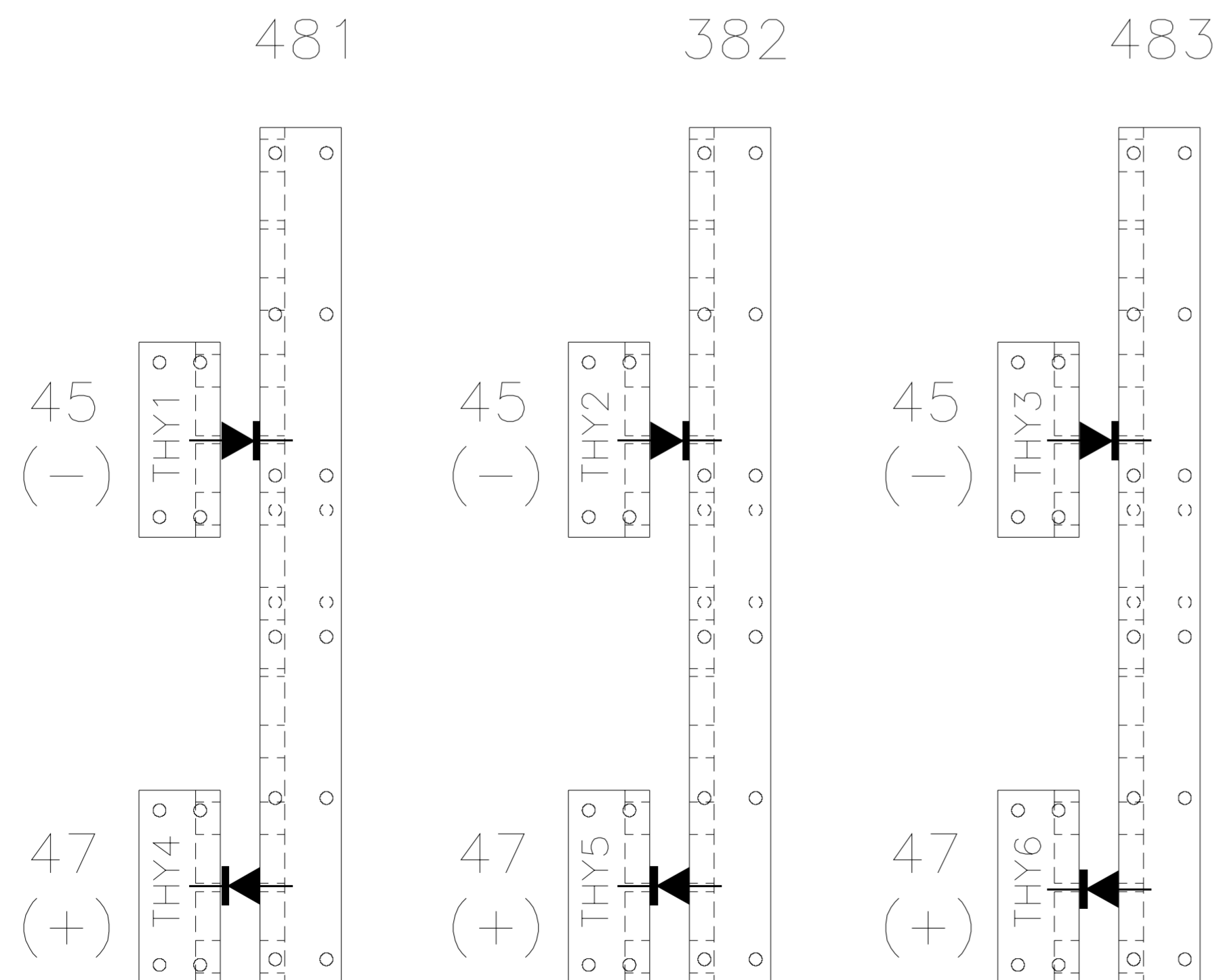


S6R ARMATURE SUPPLY

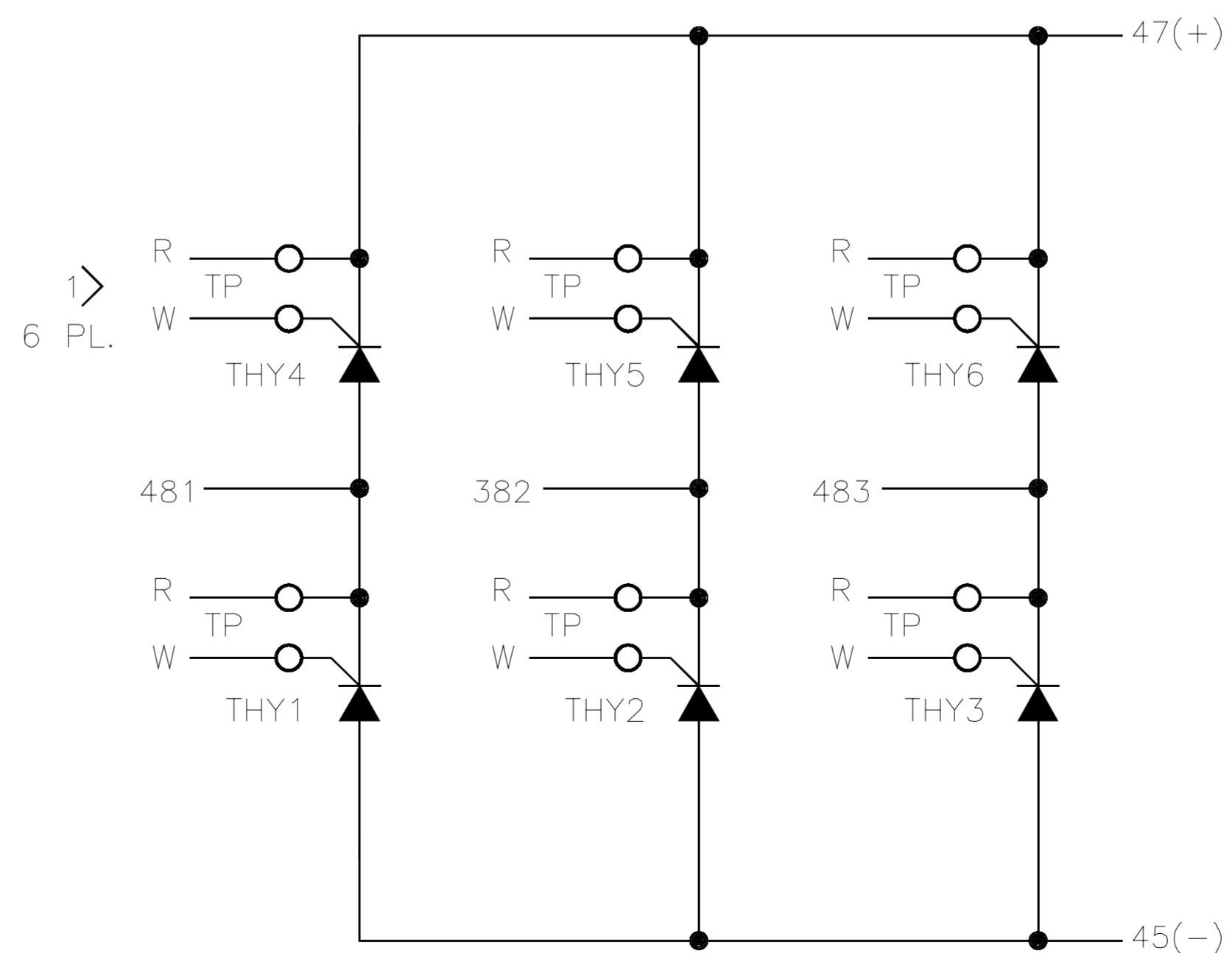


MECHANICAL ARRANGEMENT S6

S6



S6 ARMATURE SUPPLY



NOTES: <1 TO REGULATOR THROUGH POWER I/F PC BOARD.

- TERMINAL CONNECTION
- TP TWISTED PAIR
- R = RED
- W = WHITE

100 THRU 150HP AT 230VAC  
200 THRU 300HP AT 460VAC

<b>RELIANCE ELECTRIC</b>		
<small>RELIANCE ELECTRIC INDUSTRIAL COMPANY • CLEVELAND, OH 44117</small>		
WIRING DIAGRAM BULLETIN 1397 S6/S6R 150/300HP 230/460VAC		
DR. DCS	DATE 3-4-97	SCALE: 1=1
CK. TJS	ENG'R JB-MQ	SHEET 2 OF 11
APP. TMC	DISTRIBUTION 13-688-76	WD 30373-23

N/R 500369  
DATE 3/14/97  
SEE N/R BODY