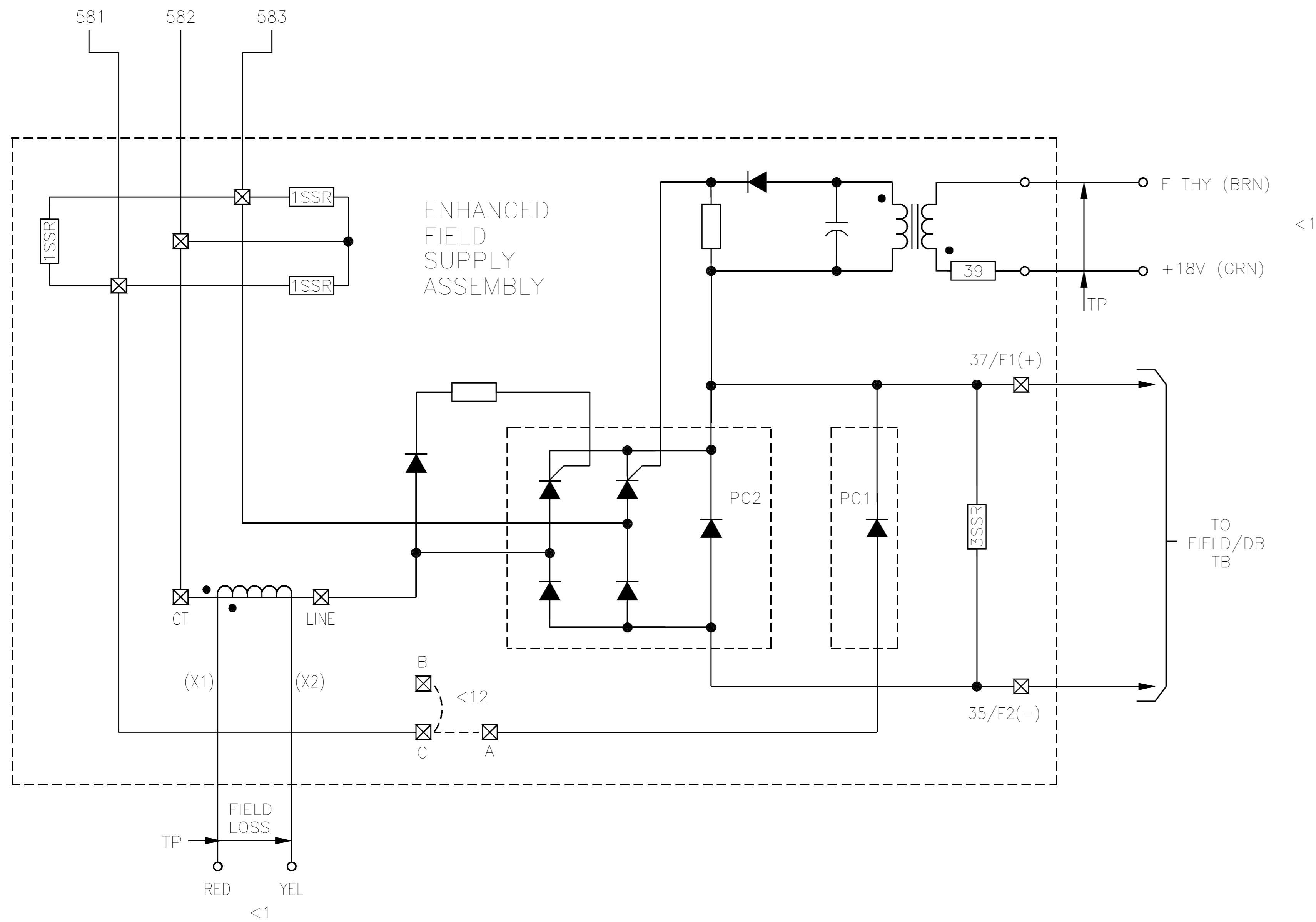


ENHANCED FIELD SUPPLY



<1 TO REGULATOR THRU POWER I/F PC BOARD.

	JUMPER CONNECTION	VOLTAGE RANGE <21
SINGLE PHASE FIELD	C TO B	.45 x VAC TO .9 x VAC
SINGLE PHASE FIELD PLUS EXTRA DIODE	C TO A	.9 x VAC TO 1.125 x VAC

<14 ASSEMBLY INCLUDES CURRENT TRANSFORMER, FIELD POWER CUBES, WIRING, AND MOUNTING BRACKET. THE ASSEMBLY NUMBER IS THE REPLACEMENT PART.

<20 FUSES LOCATED ON DRIVE FUSE PANEL.

<21 VAC IS THE RMS LINE TO LINE VOLTAGE AT 581, 582, 583.

REPLACEMENT PARTS TABLE <14							
FIELD OUTPUT <12		FIELD <14 SUPPLY ASSEMBLY	FIELD SUPPLY PC BOARD	FIELD POWER CUBES		FUSES <20	SURGE SUPPRESSOR
230V INPUT	460V INPUT			PC1	PC2		
20A MAX	20A MAX	707973-15R	0-58719-42	188253	701819-302BA	CLASS CC 25A, 600V 64676-30M	411026-AW
258V MAX	516V MAX						

C/R 357687  
DATE 1-9-98  
NEW POWER CUBES REV -02  
N/R 500369  
DATE 3/14/97  
SEE N/R BODY

**RELIANCE ELECTRIC**  
RELIANCE ELECTRIC INDUSTRIAL COMPANY • CLEVELAND, OH 44117

WIRING DIAGRAM BULLETIN 1397  
S6/S6R 150/300HP 230/460VAC

DR. DCS	DATE 3-4-97	SCALE: 1=1
CK. TJS	ENG'R JB-MQ	SHEET 4 OF 11
APP. TMC	DISTRIBUTION 13-688-76	WD 30373-23