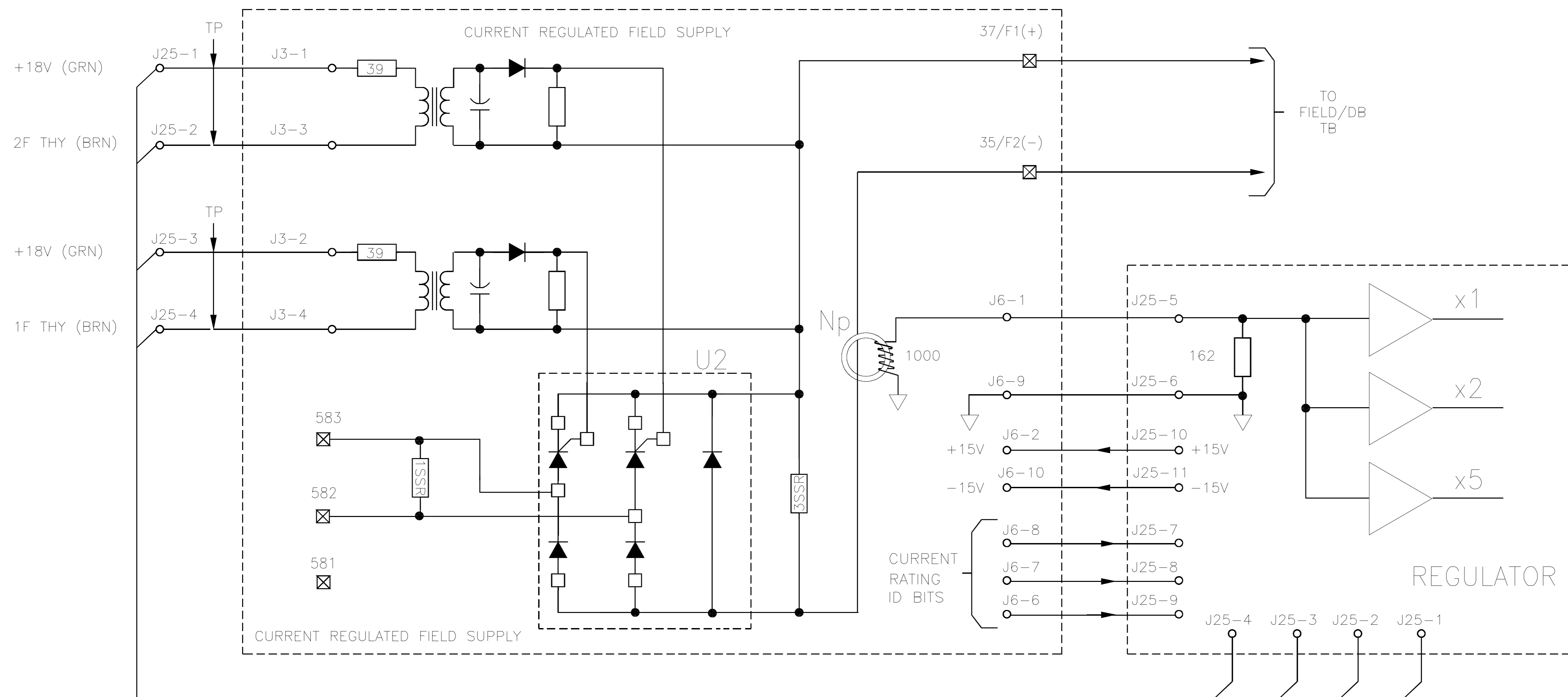


CURRENT REGULATED FIELD SUPPLY

FIELD OUTPUT		HALL DEVICE TURNS RATIO $N_p : 1000$	REPLACEMENT PARTS TABLE				
230VAC INPUT <21	460VAC INPUT <21		FIELD < 14 SUPPLY ASSEMBLY	FIELD SUPPLY PC BOARD	FIELD POWER CUBE U2	FUSES <20 6FU, 7FU, 8FU	SURGE SUPPRESSOR 1SSR, 3SSR
4 A MAX	4 A MAX	5 : 1000	707973-10R	0-58719-30	701819-302BA	CLASS CC 25A, 600V 64676-30M	411026-AW
10A MAX	10A MAX	2 : 1000	707973-10S	0-58719-31			
15A MAX	15A MAX	1 : 1000	707973-10T	0-58719-32			

- 14 ASSEMBLY INCLUDES CURRENT SENSOR, FIELD POWER CUBE, WIRING, AND MOUNTING BRACKET.
- 20 FUSES LOCATED ON DRIVE FUSE PANEL.
- 21 VAC IS THE RMS LINE TO LINE VOLTAGE AT 581, 582, 583.



C/R 357637
DATE 9/12/97
SEE C/R
REV -02
N/R 500369
DATE 3/14/97
SEE N/R
BODY

RELIANCE ELECTRIC
RELIANCE ELECTRIC INDUSTRIAL COMPANY • CLEVELAND, OH 44117

WIRING DIAGRAM BULLETIN 1397
S6/S6R 150/300HP 230/460VAC

DR. DCS	DATE 3-4-97	SCALE: 1=1
CK. TJS	ENG'R JB-MQ	SHEET 5 OF 11
APP. TMC	DISTRIBUTION 13-688-76	WD 30373-23