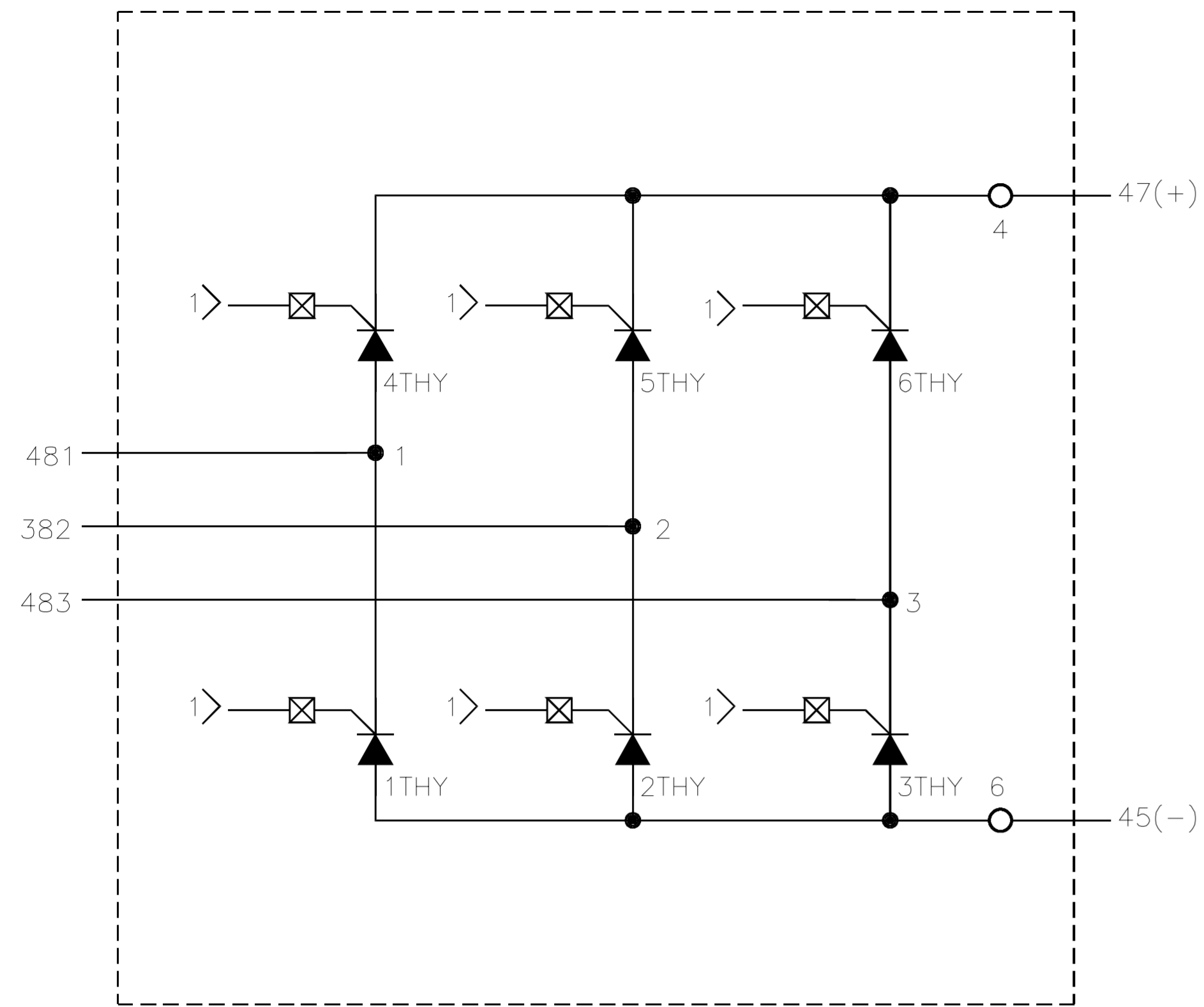
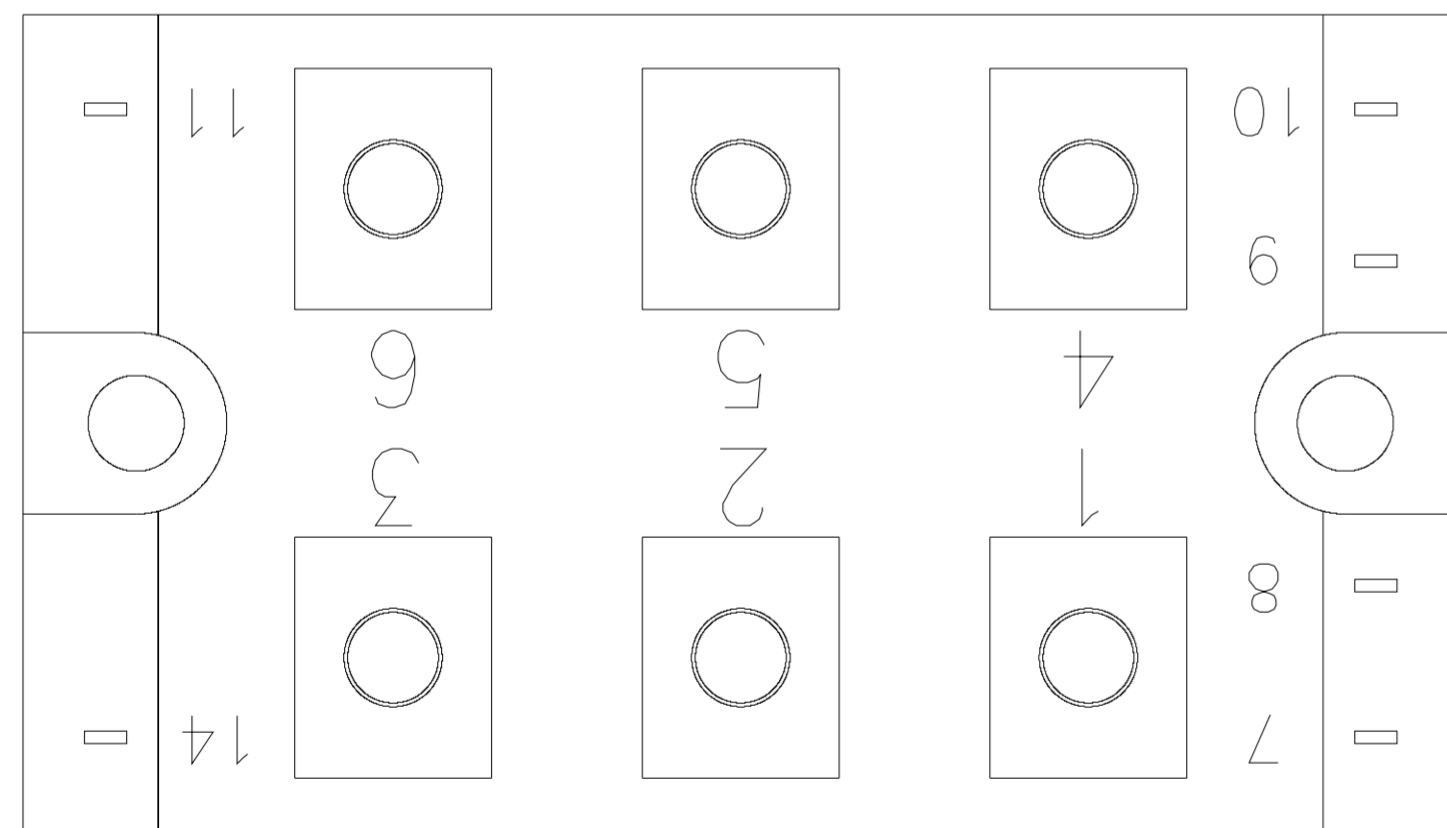


S6 ARMATURE SUPPLY



SCHEMATIC DIAGRAM

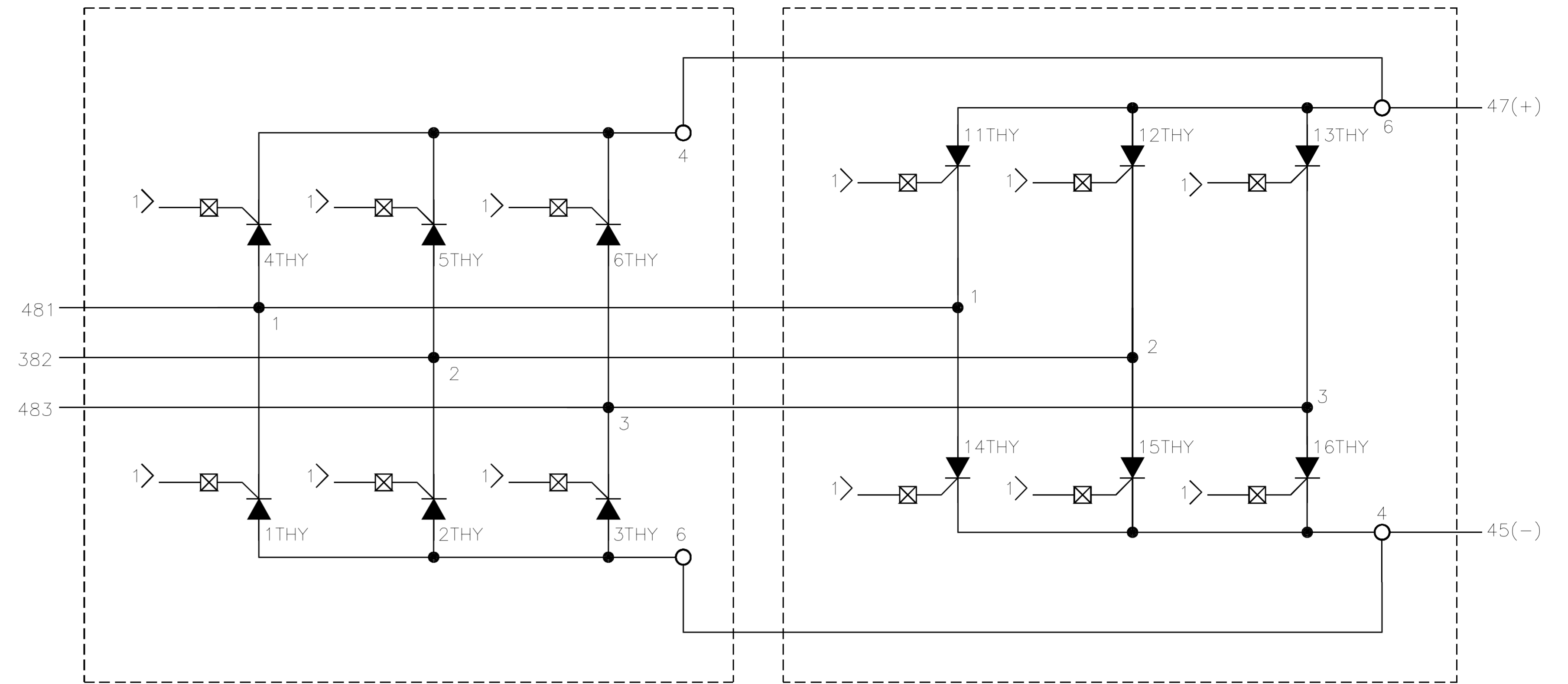
MECHANICAL ARRANGEMENT S6



GATE LEAD CONNECTION

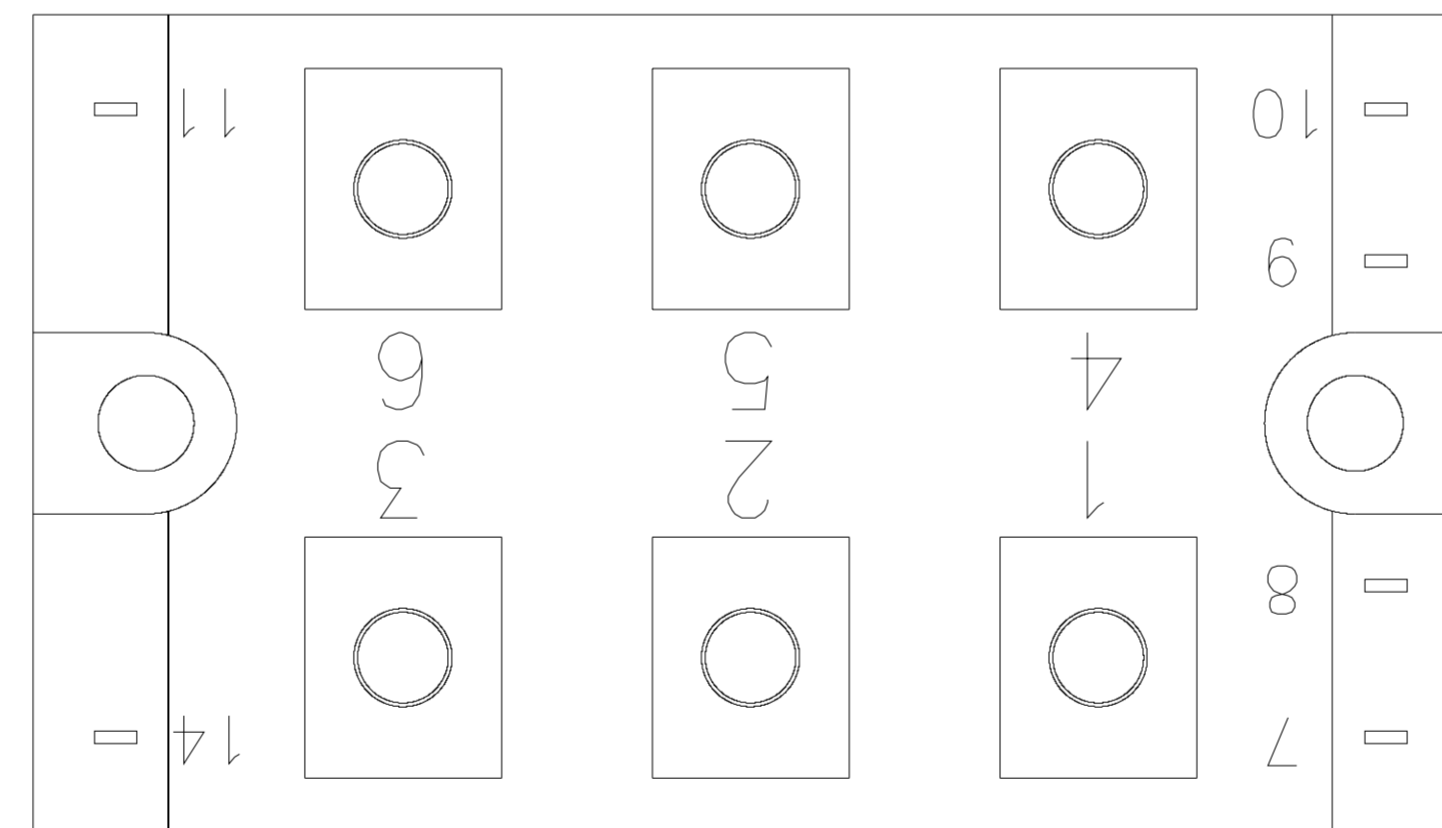
LEFT SIDE TOP TO BOTTOM		RIGHT SIDE TOP TO BOTTOM
WHITE THY6 TERM 11		BLACK THY4 TERM 10
BLACK THY3 TERM 14		WHITE THY5 TERM 9
		BLACK THY2 TERM 8
		WHITE THY1 TERM 7

S6R ARMATURE SUPPLY



SCHEMATIC DIAGRAM

MECHANICAL ARRANGEMENT S6R



GATE LEAD CONNECTION

LEFT SIDE TOP TO BOTTOM		RIGHT SIDE TOP TO BOTTOM
WHITE THY6 TERM 11		BLACK THY4 TERM 10
BLACK THY3 TERM 14		WHITE THY5 TERM 9
		BLACK THY2 TERM 8
		WHITE THY1 TERM 7
WHITE THY13 TERM 7		
BLACK THY12 TERM 8		
WHITE THY15 TERM 9		BLACK THY11 TERM 14
BLACK THY14 TERM 10		WHITE THY14 TERM 11

ARMATURE SUPPLY FOR:
1.5 THRU 15HP AT 230VAC
3 THRU 30HP AT 460VAC

NOTES:
< 1 FOR NOTE, SEE SHEET 1.

- ⊠ FASTON CONNECTOR
- TERMINAL CONNECTION

REVISION 04
ECN 98R1210
DATE 1-29-99
BY TJS

Rockwell Automation

WIRING DIAGRAM BULLETIN 1397
S6 / S6R 30 / 60HP 230 / 460VAC

DR. TJS	DATE 5-31-96	SCALE: NONE
CK. MWQ	ENG'R JEB	SHEET 3 OF 12
APP. TMC	DISTRIBUTION 850 -2	30371-23