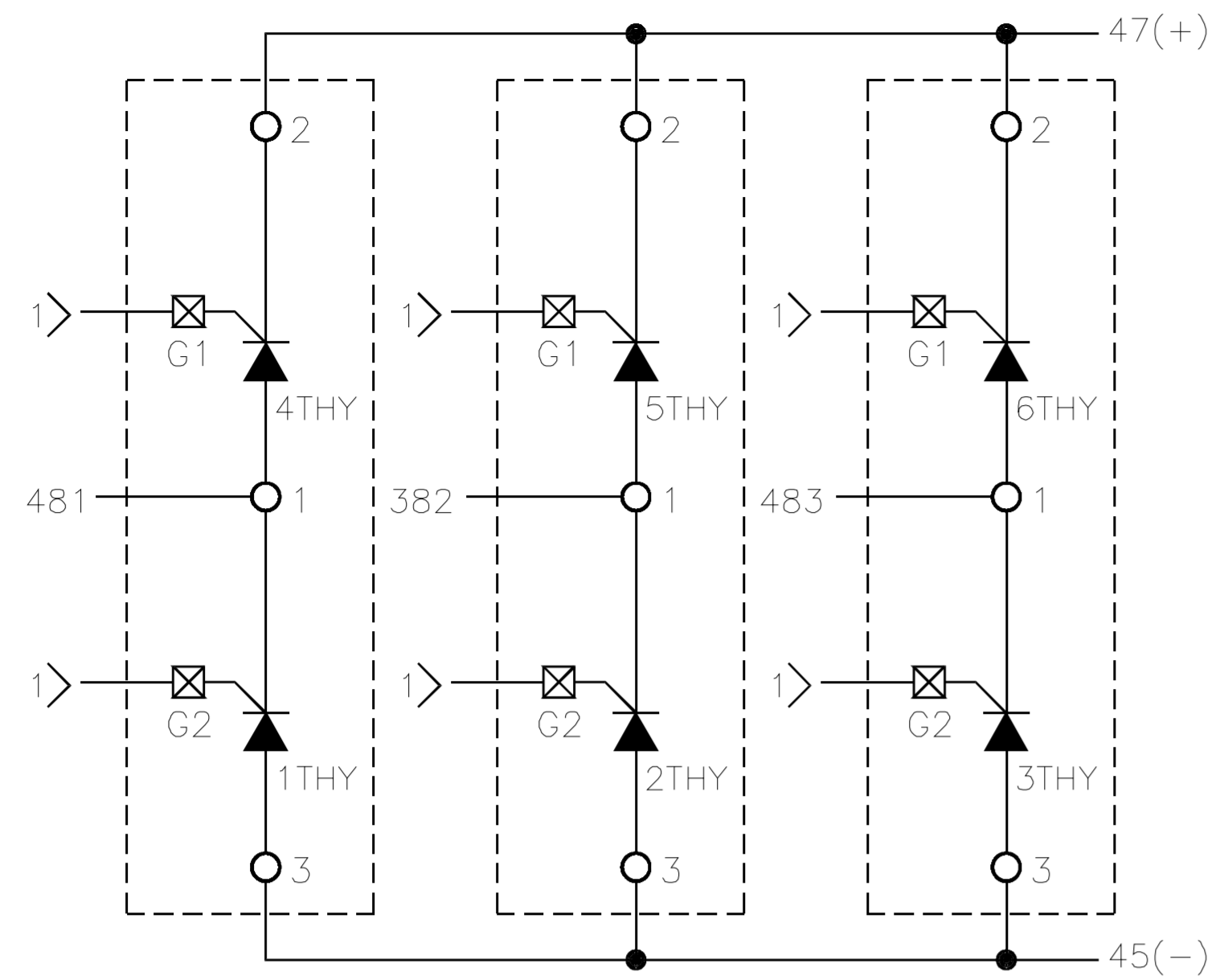
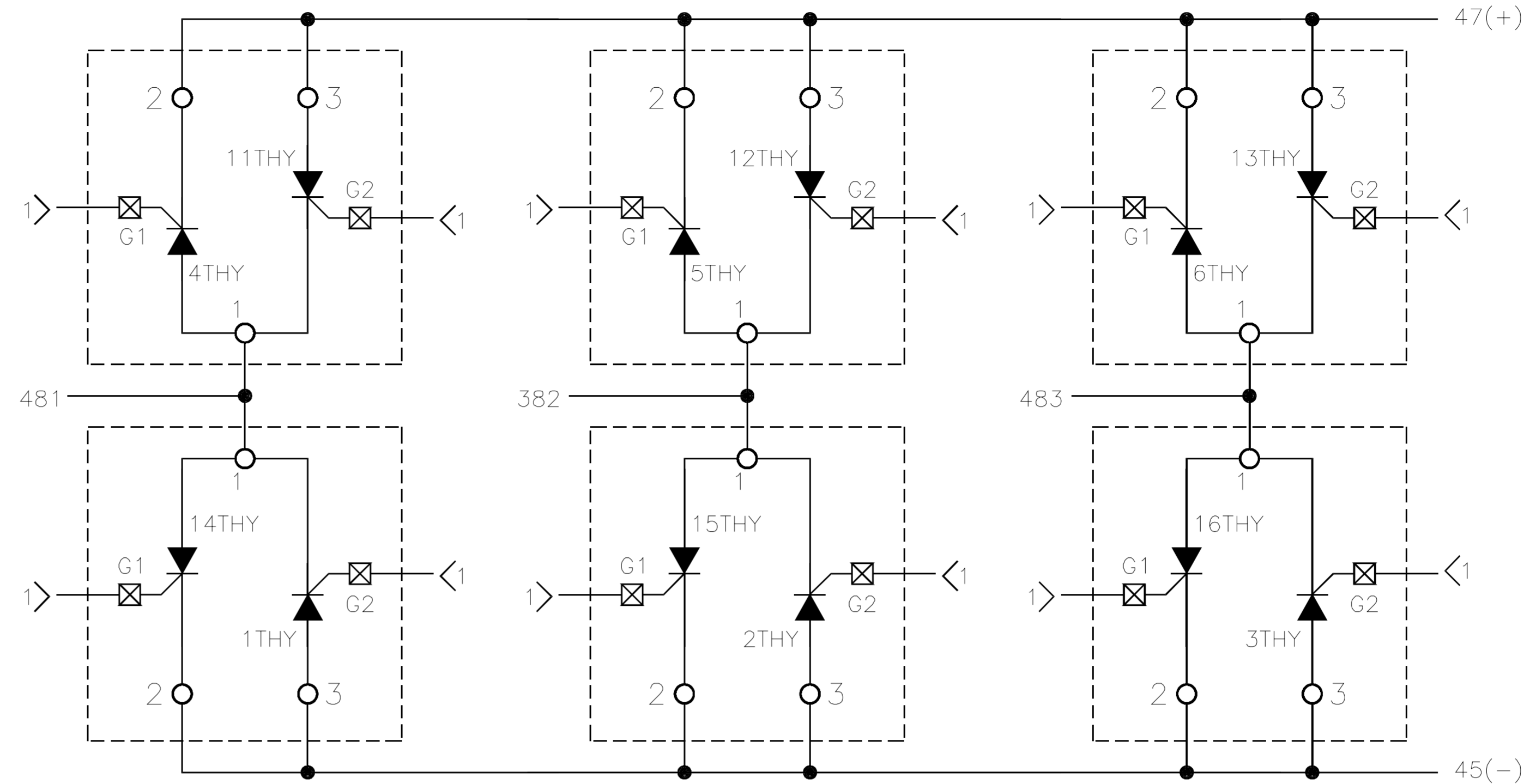


S6 ARMATURE SUPPLY



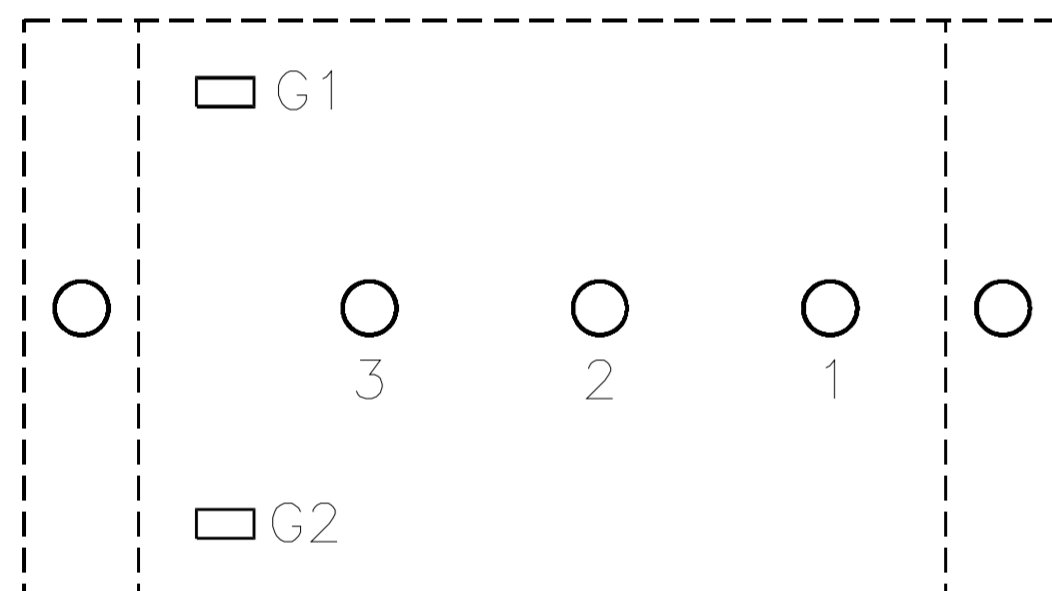
SCHEMATIC DIAGRAM

S6R ARMATURE SUPPLY



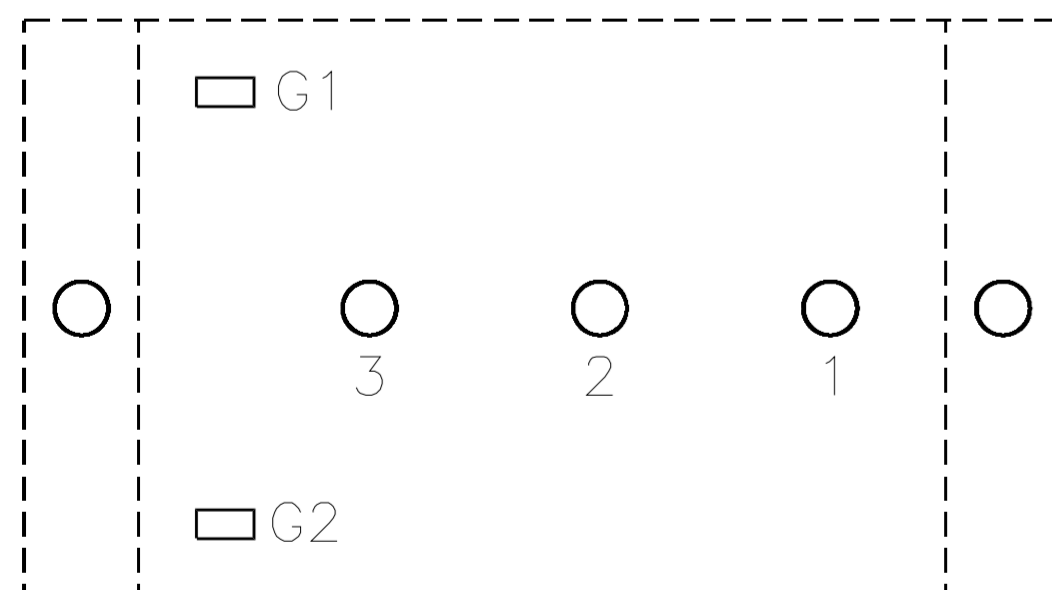
SCHEMATIC DIAGRAM

MECHANICAL ARRANGEMENT S6



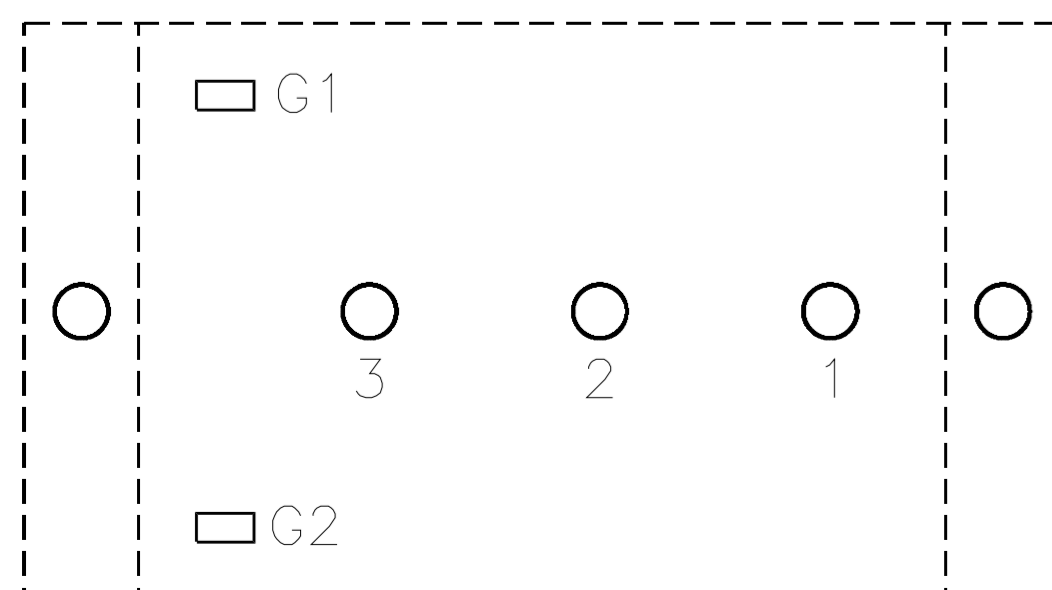
LEAD NAME = SCR TERM

481 = 1
47 = 2
45 = 3
4 THY = G1
1 THY = G2



LEAD NAME = SCR TERM

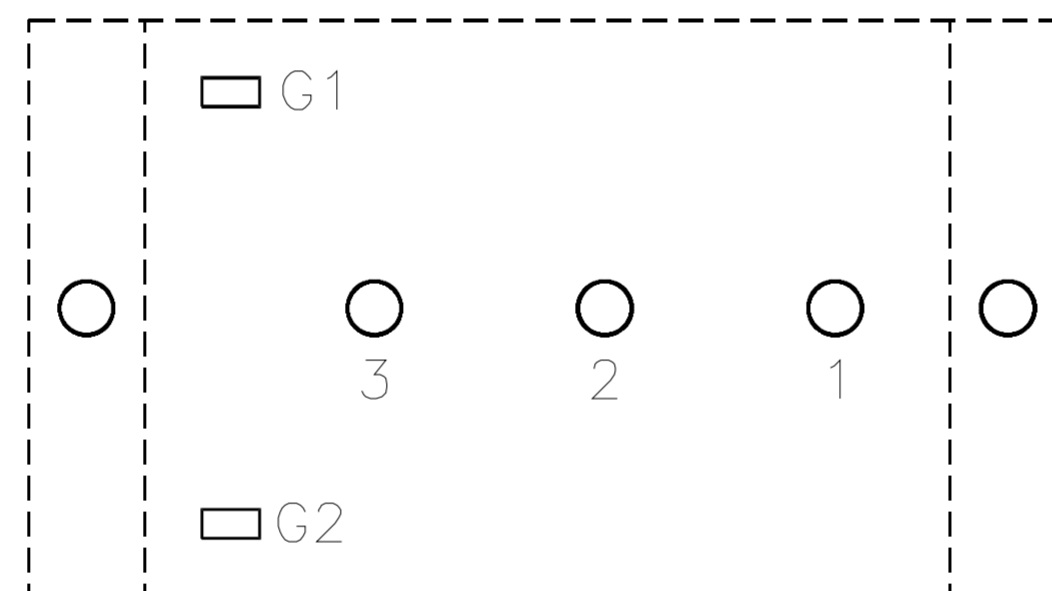
382 = 1
47 = 2
45 = 3
5 THY = G1
2 THY = G2



LEAD NAME = SCR TERM

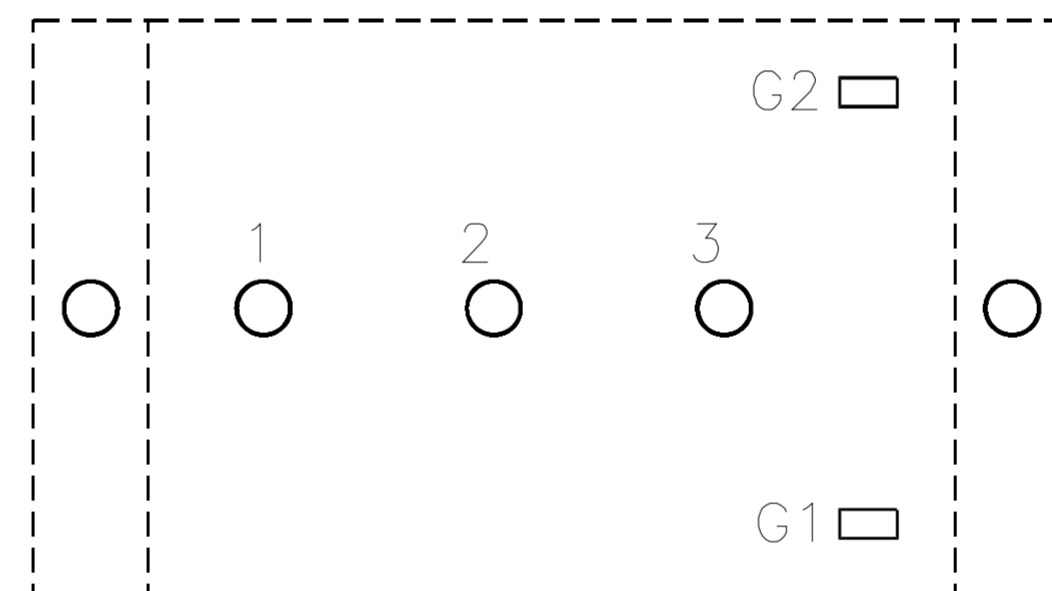
483 = 1
47 = 2
45 = 3
6 THY = G1
3 THY = G2

MECHANICAL ARRANGEMENT S6R



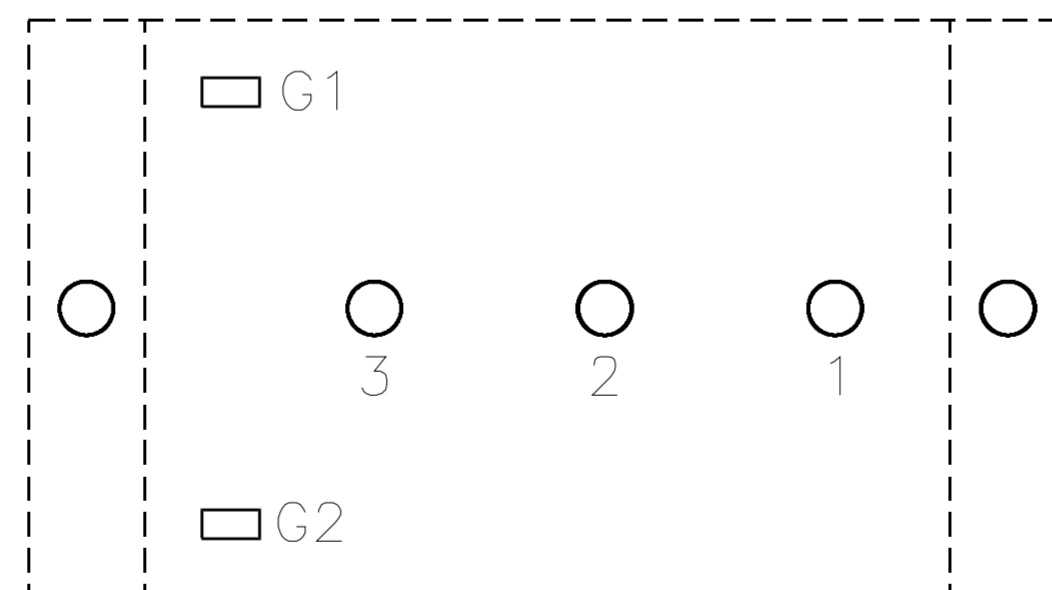
LEAD NAME = SCR TERM

481 = 1
47 = 2
45 = 3
4 THY = G1
11 THY = G2



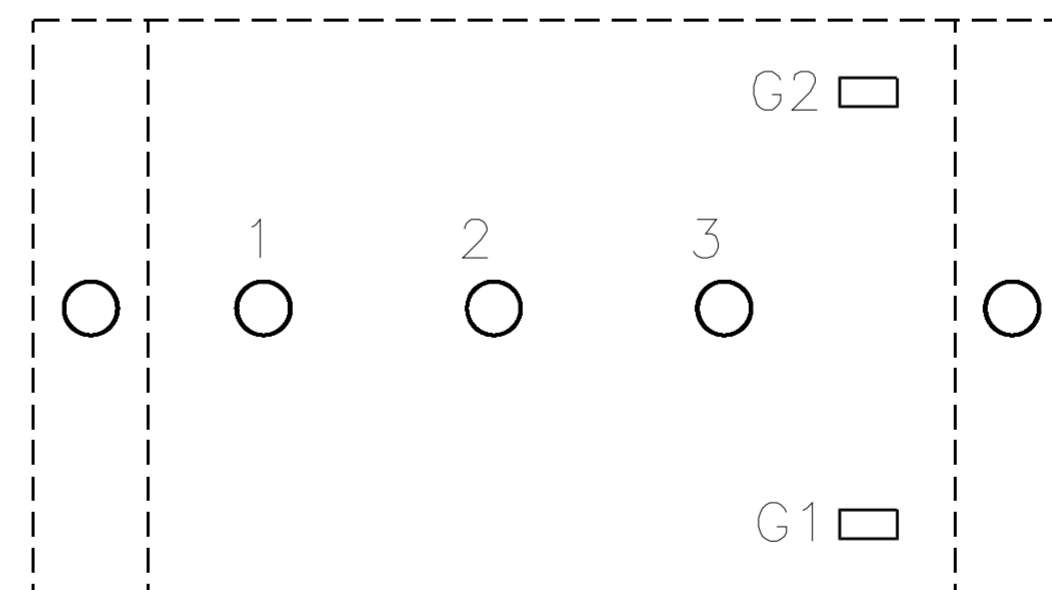
LEAD NAME = SCR TERM

481 = 1
45 = 2
45 = 3
14 THY = G1
1 THY = G2



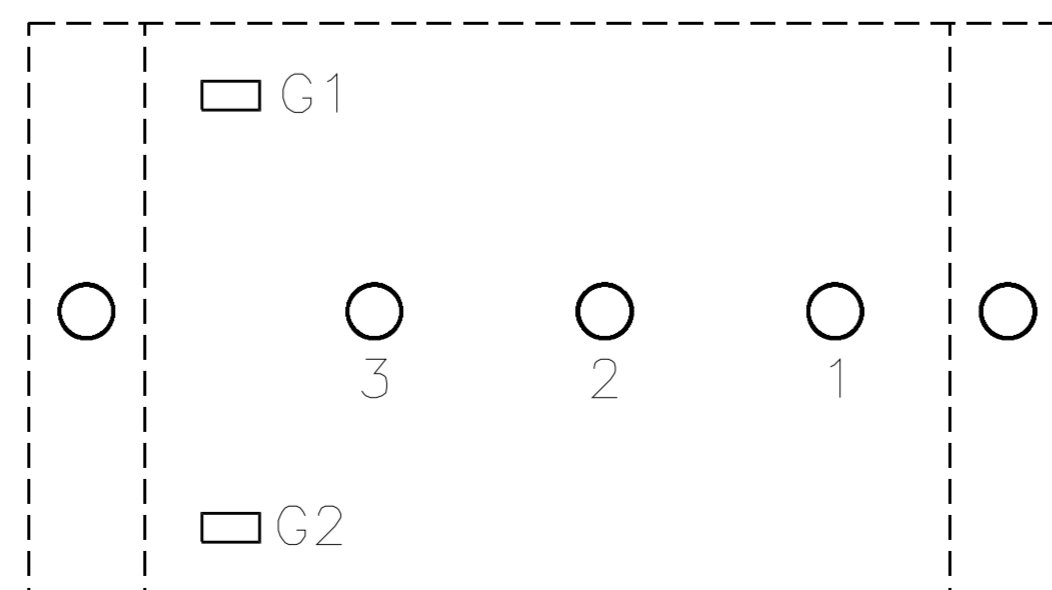
LEAD NAME = SCR TERM

382 = 1
47 = 2
47 = 3
5 THY = G1
12 THY = G2



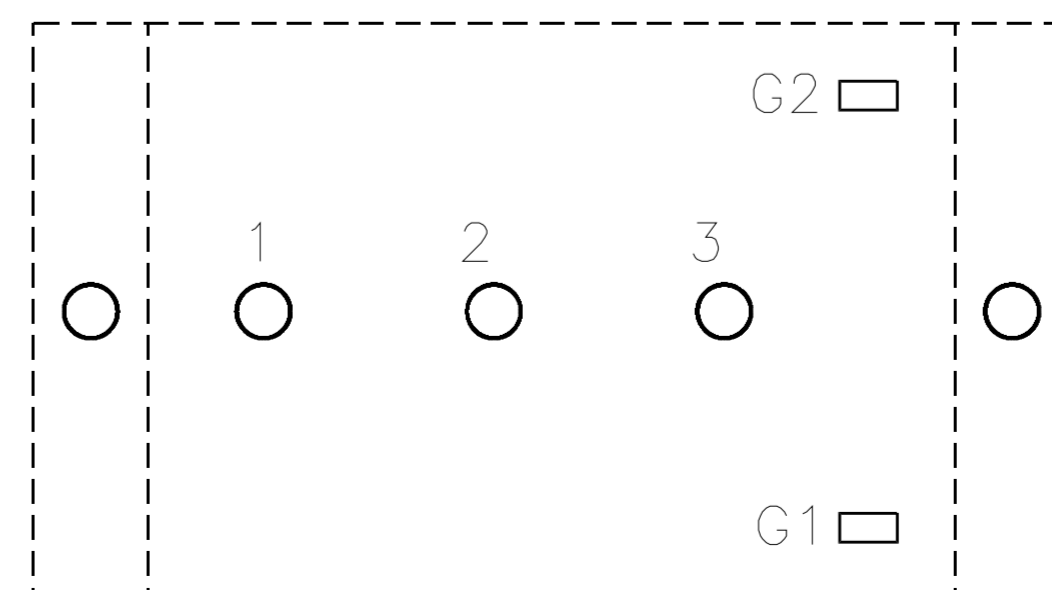
LEAD NAME = SCR TERM

382 = 1
45 = 2
45 = 3
15 THY = G1
2 THY = G2



LEAD NAME = SCR TERM

483 = 1
47 = 2
47 = 3
6 THY = G1
13 THY = G2



LEAD NAME = SCR TERM

483 = 1
45 = 2
45 = 3
16 THY = G1
3 THY = G2

NOTES:

<1 FOR NOTE, SEE SHEET 1.

ARMATURE SUPPLY FOR:
20 THRU 30HP AT 230VAC
40 THRU 60HP AT 460VAC

- FASTON CONNECTOR
- TERMINAL CONNECTION

REVISION 04		SCALE: NONE
ECN 98R1210		SHEET 4 OF 12
DATE 1-29-99		30371-23
BY TJS		
Rockwell Automation		
WIRING DIAGRAM BULLETIN 1397 S6 / S6R 30 / 60HP 230 / 460VAC		
DR. TJS	DATE 5-31-96	SCALE: NONE
CK. MWQ	ENG'R JEB	SHEET 4 OF 12
APP. TMC	DISTRIBUTION 850 -2	30371-23