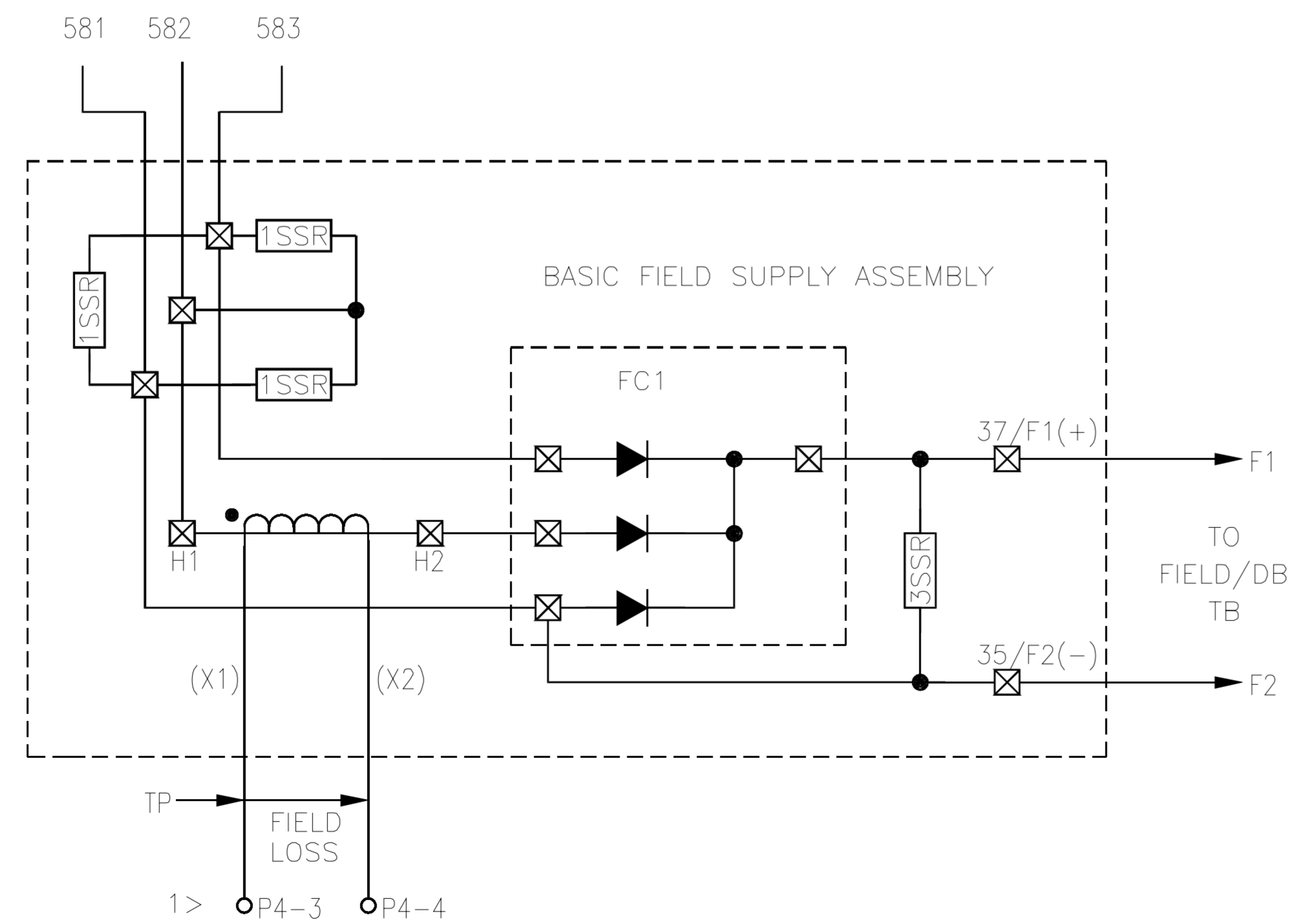


BASIC FIELD SUPPLY

REPLACEMENT PARTS TABLE						
FIELD OUTPUT		FIELD < 14 SUPPLY ASSEMBLY	FIELD SUPPLY PC BOARD	FIELD POWER CUBES	FUSES < 20 6FU, 7FU, 8FU	SURGE SUPPRESSOR 1SSR, 3SSR
230V INPUT	460V INPUT			FC1		
10A MAX 150V	10A MAX 300V	610273-14S	0-58719-0	701819-20AW	CLASS CC 15A, 600V 64676-30K	411026-AW
15A MAX 150V	15A MAX 300V	610273-14R				

- <1 TO REGULATOR THRU POWER I/F PC BOARD.
- <14 ASSEMBLY INCLUDES CURRENT TRANSFORMER, FIELD POWER CUBES, WIRING, AND MOUNTING BRACKET. THE ASSEMBLY NUMBER IS THE REPLACEMENT PART.
- <20 LOCATED ON DRIVE FUSE PANEL.



REVISION 04
 ECN 98R1210
 DATE 1-29-99
 BY TJS

Rockwell Automation		
WIRING DIAGRAM BULLETIN 1397 S6 / S6R 30 / 60HP 230 / 460VAC		
DR. TJS	DATE 5-31-96	SCALE: NONE
CK. MWQ	ENG'R JEB	SHEET 6 OF 12
APP. TMC	DISTRIBUTION 850 -2	30371-23