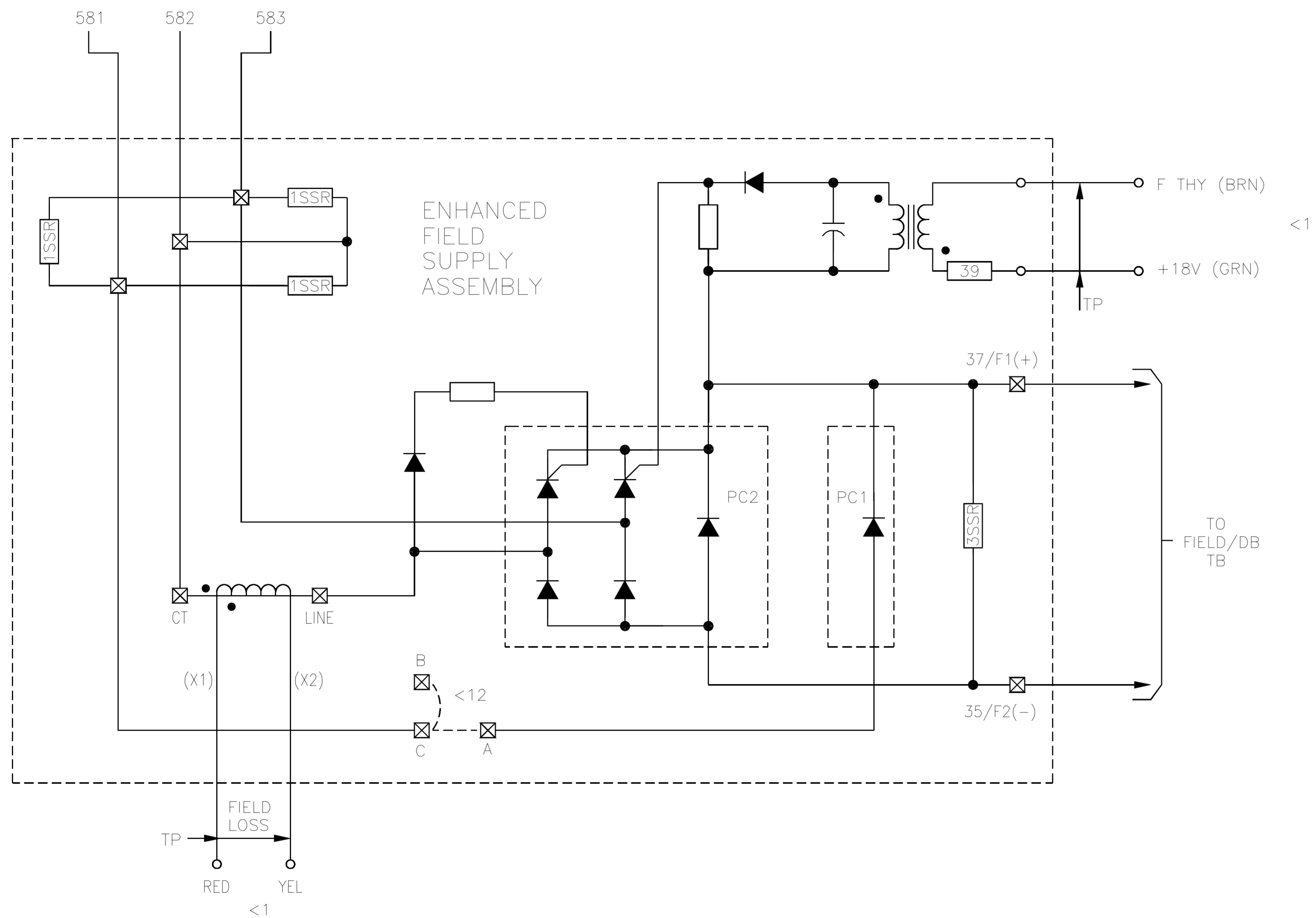


ENHANCED FIELD SUPPLY



<1 TO REGULATOR THRU POWER I/F PC BOARD.

	JUMPER CONNECTION	VOLTAGE RANGE <21
SINGLE PHASE FIELD	C TO B	.45 x VAC TO .9 x VAC
SINGLE PHASE FIELD PLUS EXTRA DIODE	C TO A	.9 x VAC TO 1.125 x VAC

<14 ASSEMBLY INCLUDES CURRENT TRANSFORMER, FIELD POWER CUBES, WIRING, AND MOUNTING BRACKET. THE ASSEMBLY NUMBER IS THE REPLACEMENT PART.

<20 FUSES LOCATED ON DRIVE FUSE PANEL.

<21 VAC IS THE RMS LINE TO LINE VOLTAGE AT 581, 582, 583.

REPLACEMENT PARTS TABLE <14							
FIELD OUTPUT <12		FIELD <14 SUPPLY ASSEMBLY	FIELD SUPPLY PC BOARD	FIELD POWER CUBES		FUSES <20	SURGE SUPPRESSOR
230V INPUT	460V INPUT			PC1	PC2		
20A MAX	20A MAX	707973-15R	O-58719-42	188253	701819-302BA	CLASS CC 25A, 600V 64676-30M	411026-AW
258V MAX	516V MAX						

REVISION 04
ECN 98R1210
DATE 1-29-99
BY TJS

Rockwell Automation

WIRING DIAGRAM BULLETIN 1397
S6 / S6R 30 / 60HP 230 / 460VAC

DR. TJS	DATE 5-31-96	SCALE: NONE
CK. MWQ	ENG'R JEB	SHEET 7 OF 12
APP. TMC	DISTRIBUTION 850 -2	30371-23