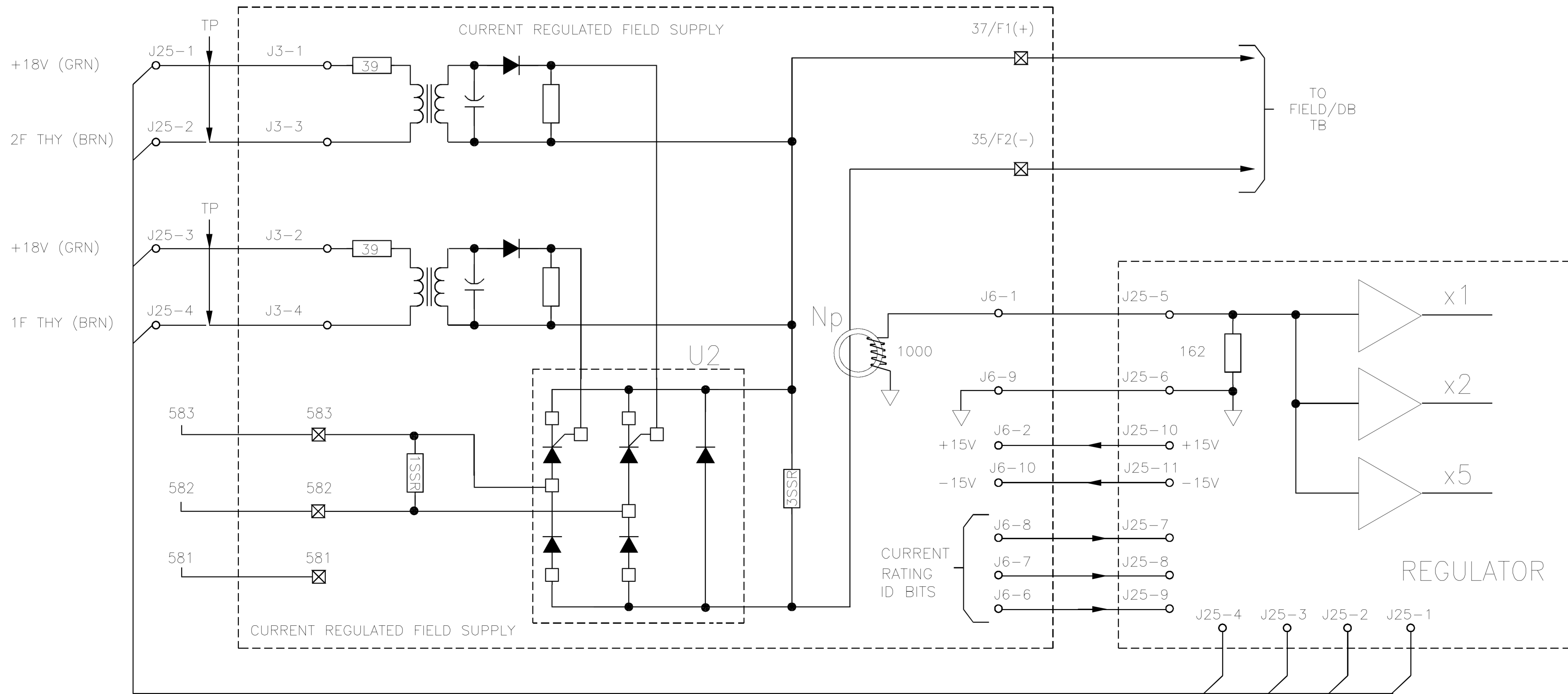


CURRENT REGULATED FIELD SUPPLY

REPLACEMENT PARTS TABLE							
FIELD OUTPUT		HALL DEVICE TURNS RATIO $N_p : 1000$	FIELD < 14 SUPPLY ASSEMBLY	FIELD SUPPLY PC BOARD	FIELD POWER CUBE U2	FUSES < 20 6FU, 7FU, 8FU	SURGE SUPPRESSOR 1SSR, 3SSR
230VAC INPUT < 21	460VAC INPUT < 21						
4 A MAX	4 A MAX	5 : 1000	707973-10R	0-58719-30			
10A MAX	10A MAX	2 : 1000	707973-10S	0-58719-31	701819-302BA	CLASS CC 25A, 600V 64676-30M	411026-AW
15A MAX	15A MAX	1 : 1000	707973-10T	0-58719-32			

- 14 ASSEMBLY INCLUDES CURRENT SENSOR, FIELD POWER CUBE, WIRING, AND MOUNTING BRACKET.
- 20 FUSES LOCATED ON DRIVE FUSE PANEL.
- 21 VAC IS THE RMS LINE TO LINE VOLTAGE AT 581, 582, 583.



REVISION 04
ECN 98R1210
DATE 1-29-99
BY TLS

Rockwell Automation

WIRING DIAGRAM BULLETIN 1397
S6 / S6R 30 / 60HP 230 / 460VAC

DR. TLS	DATE 5-31-96	SCALE: NONE
CK. MWQ	ENG'R JEB	SHEET 8 OF 12
APP. TMC	DISTRIBUTION 850 -2	30371-23