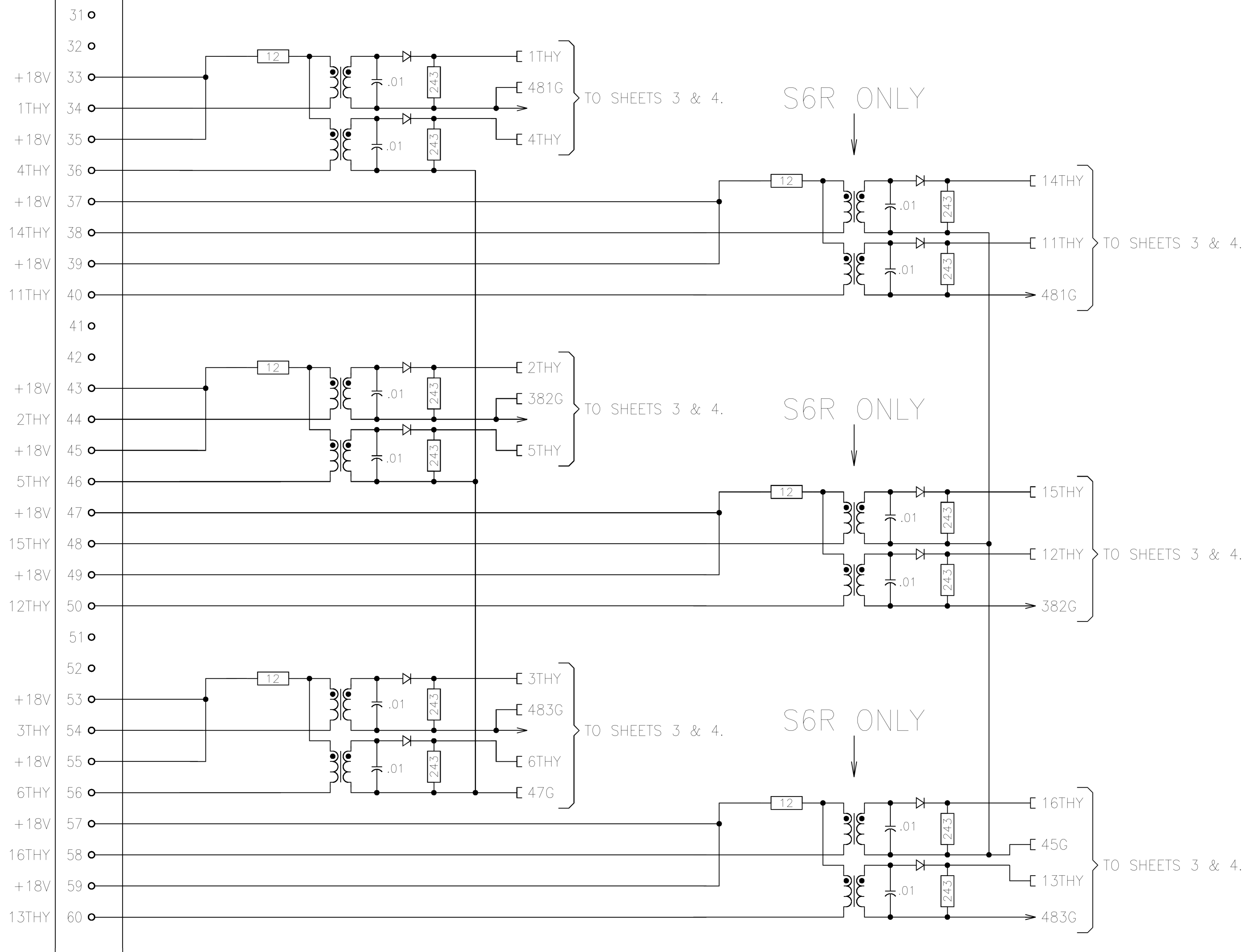


TO SHEET 9

REGULATOR TO POWER INTERFACE BOARD SCHEMATIC



REVISION	04
ECN	98R1210
DATE	1-29-99
BY	TLS