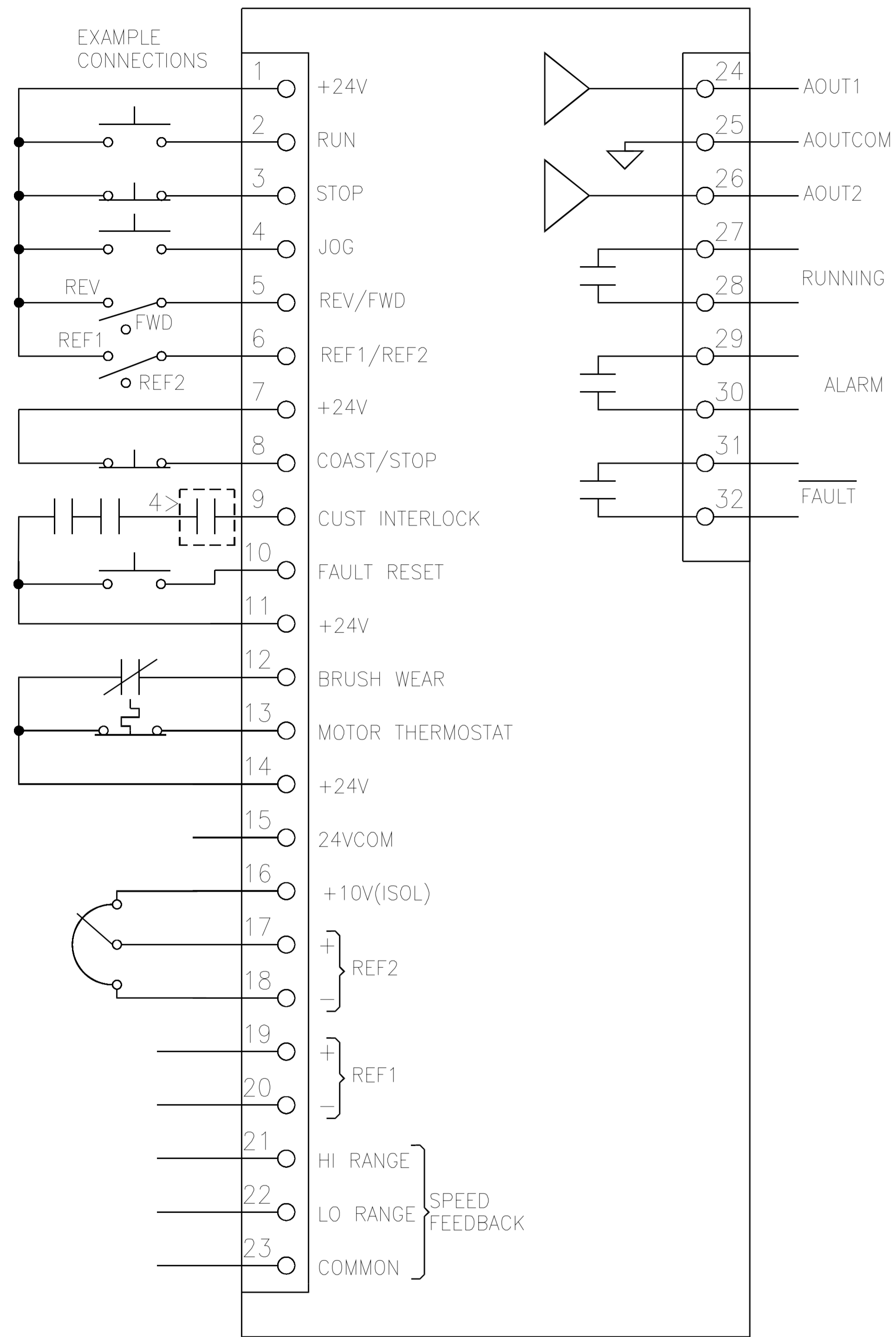
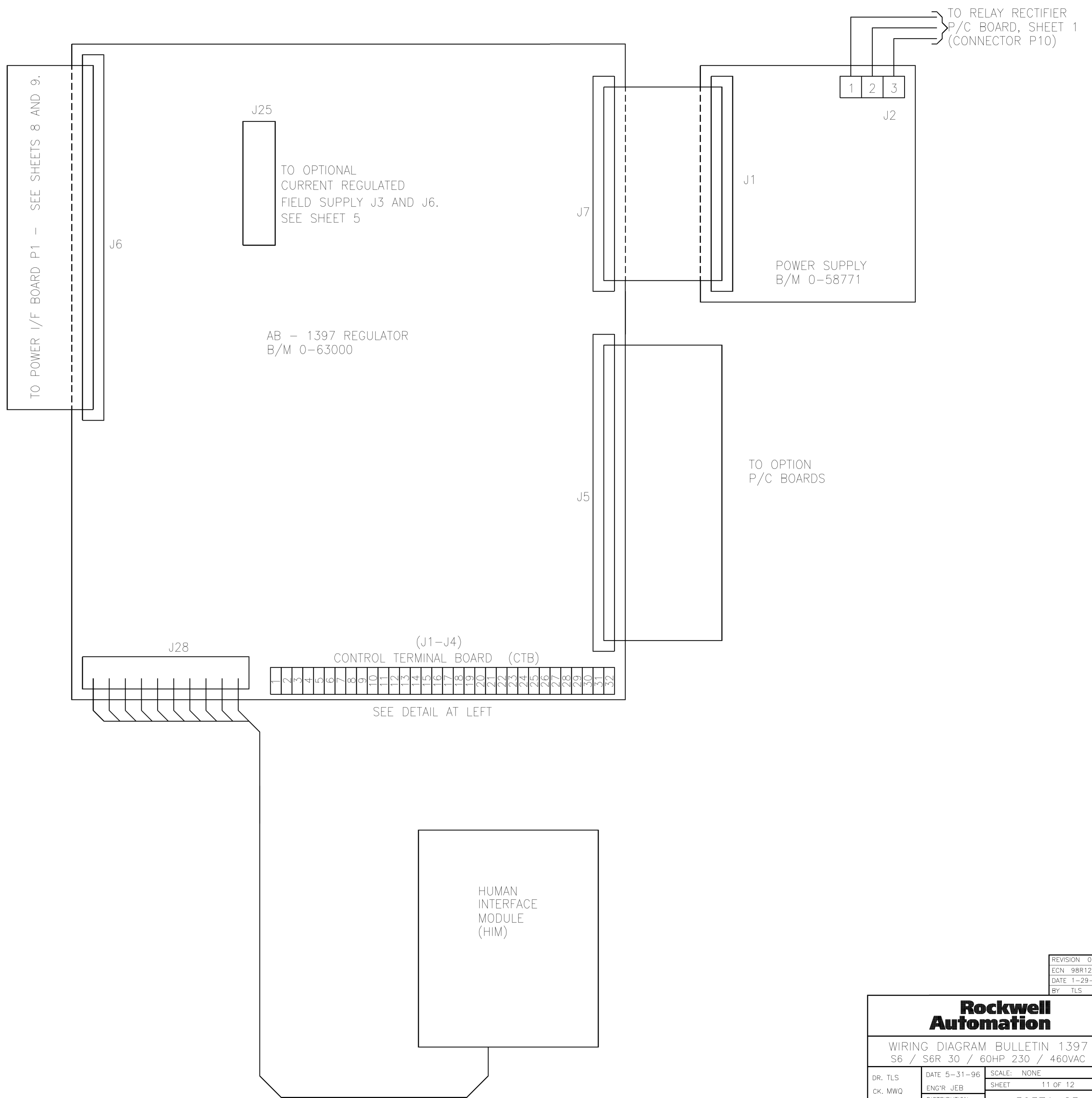


CTB DETAIL



4> INVERTING FAULT BREAKER AUX CONTACT WHEN USED ON S6R.



REVISION 04		
ECN 98R1210		
DATE 1-29-99		
BY TLS		
Rockwell Automation		
WIRING DIAGRAM BULLETIN 1397 S6 / S6R 30 / 60HP 230 / 460VAC		
DR. TLS	DATE 5-31-96	SCALE: NONE
CK. MWQ	ENG'R JEB	SHEET 11 OF 12
APP. TMC	DISTRIBUTION 850 -2	30371-23