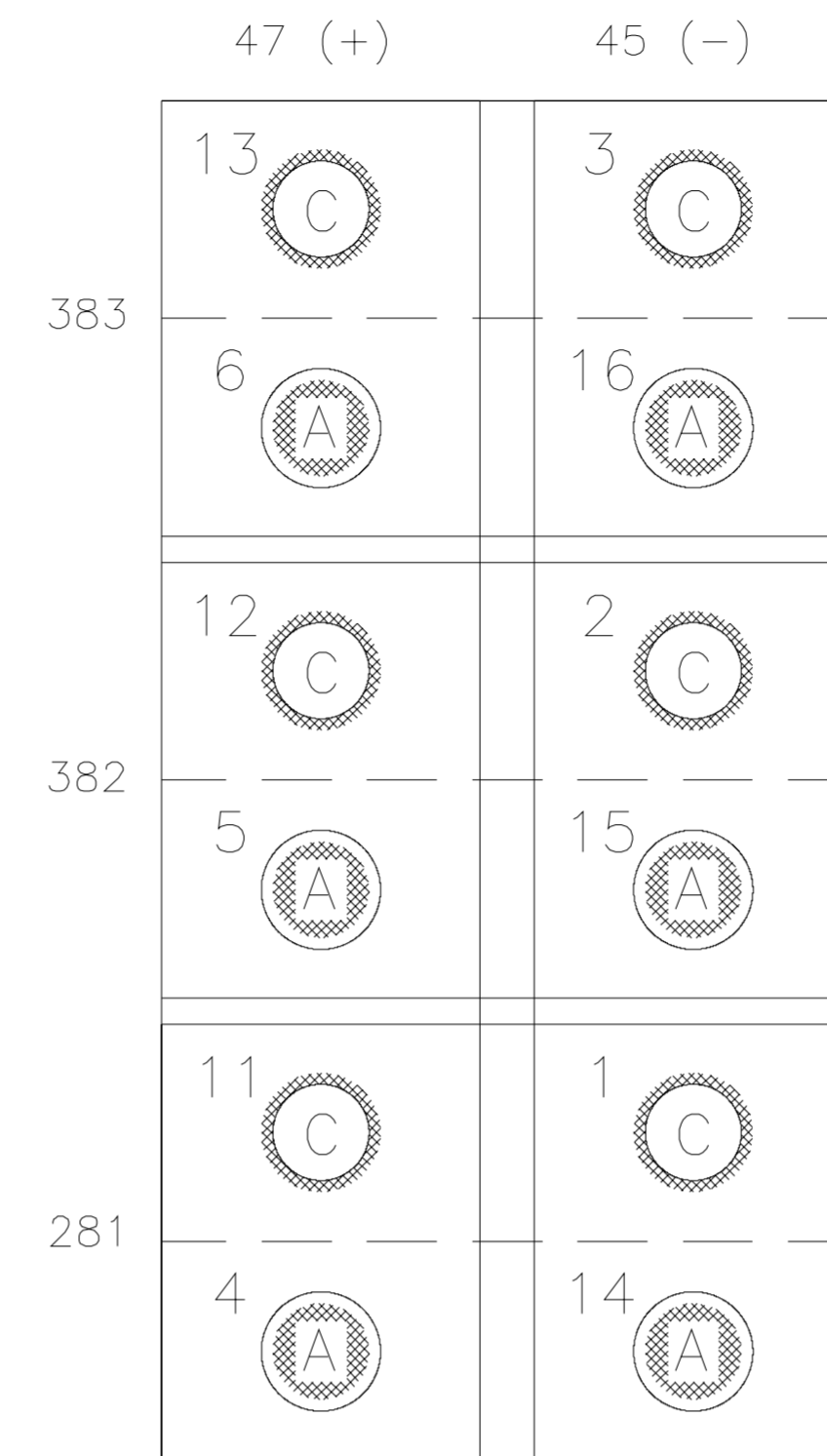
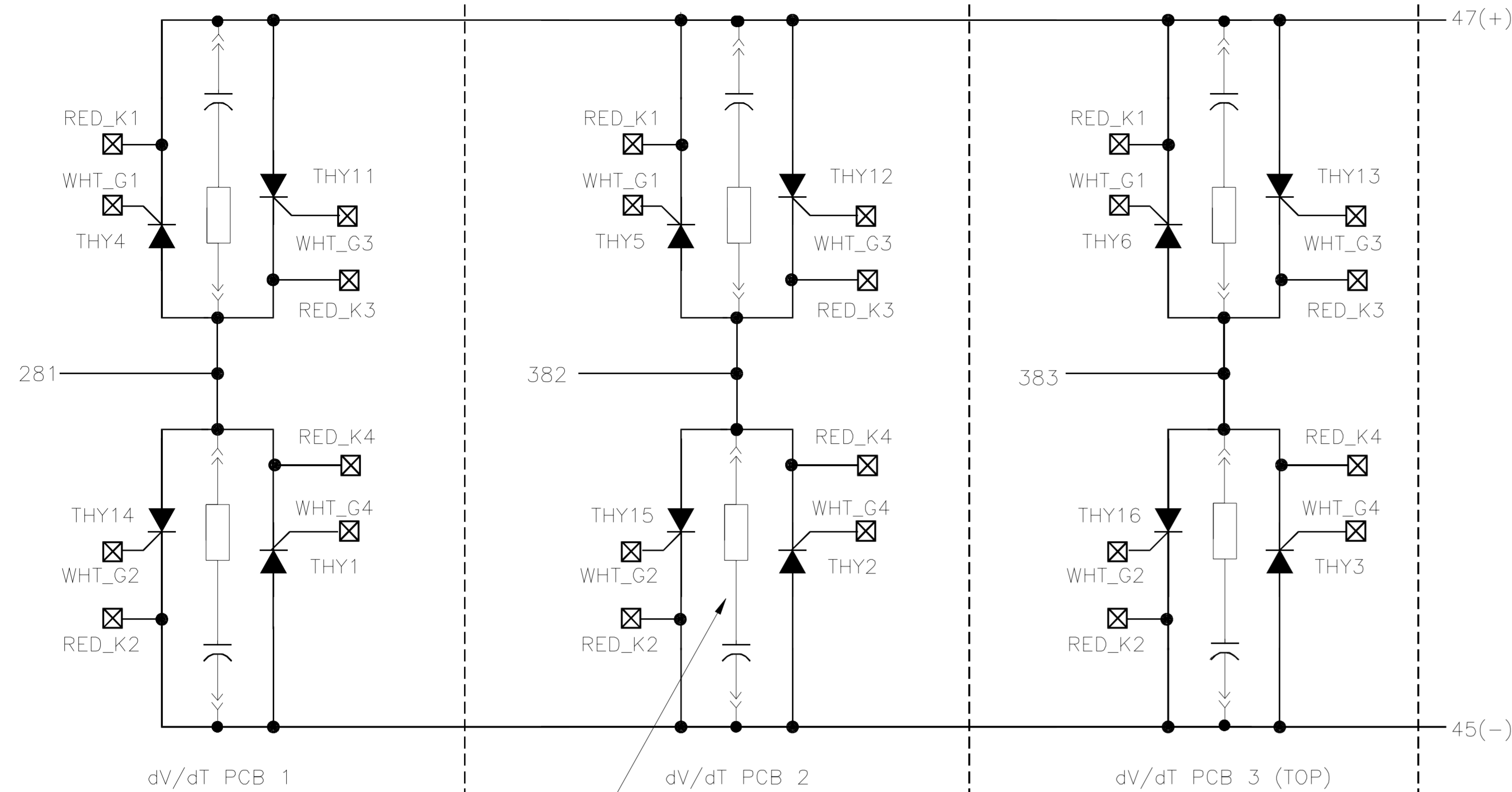


S6R ARMATURE SUPPLY

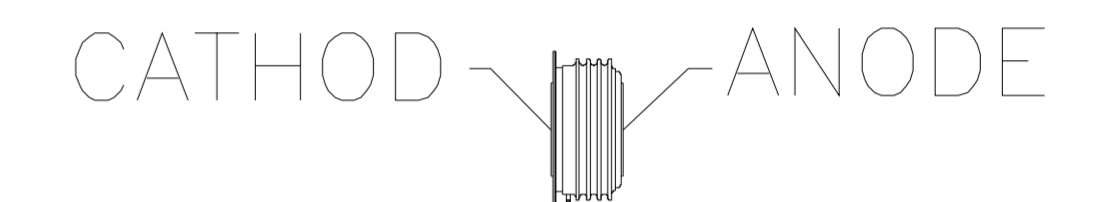
S6R THYRISTOR ARRANGEMENT



TOP

⊗ ANODE FACE UP

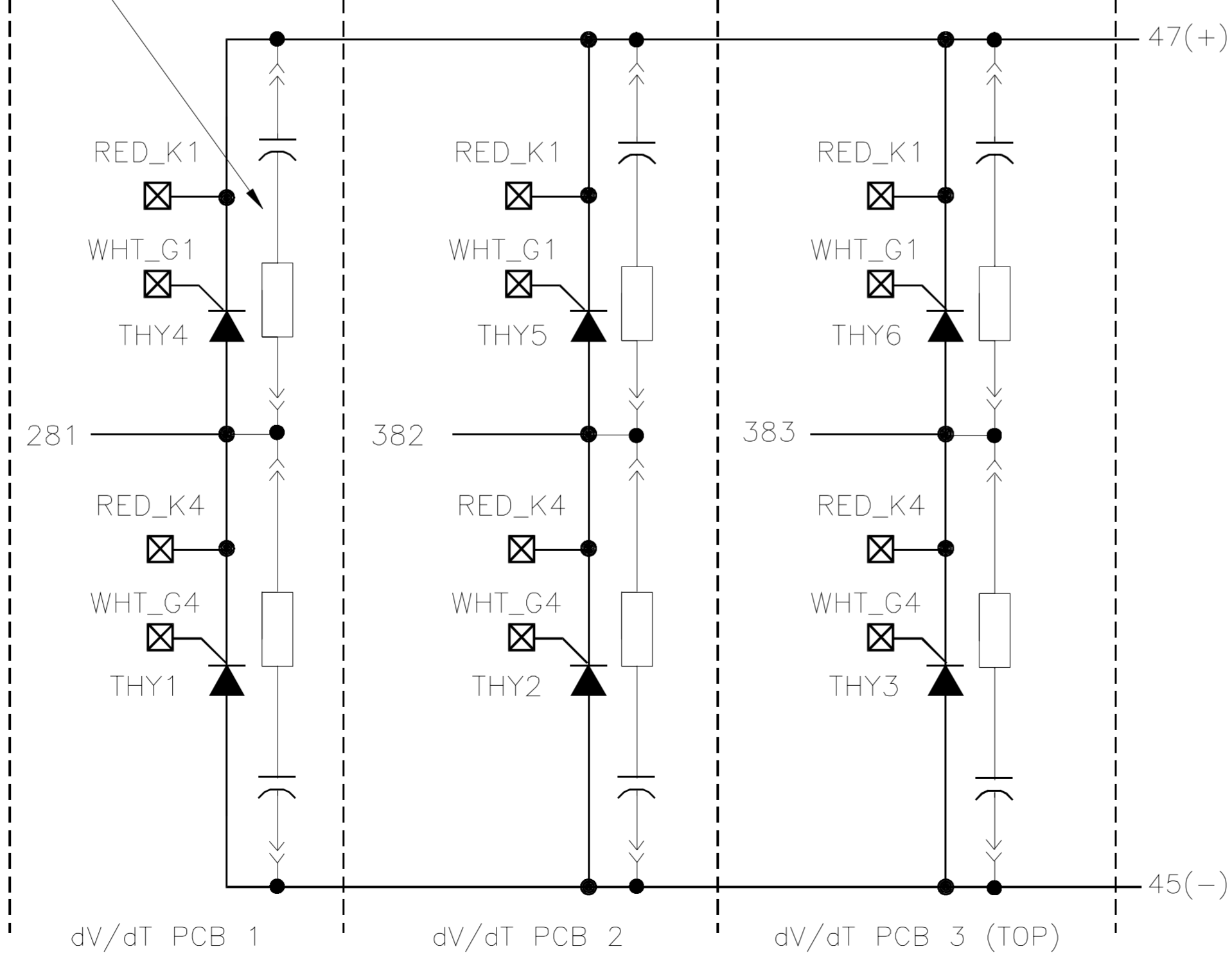
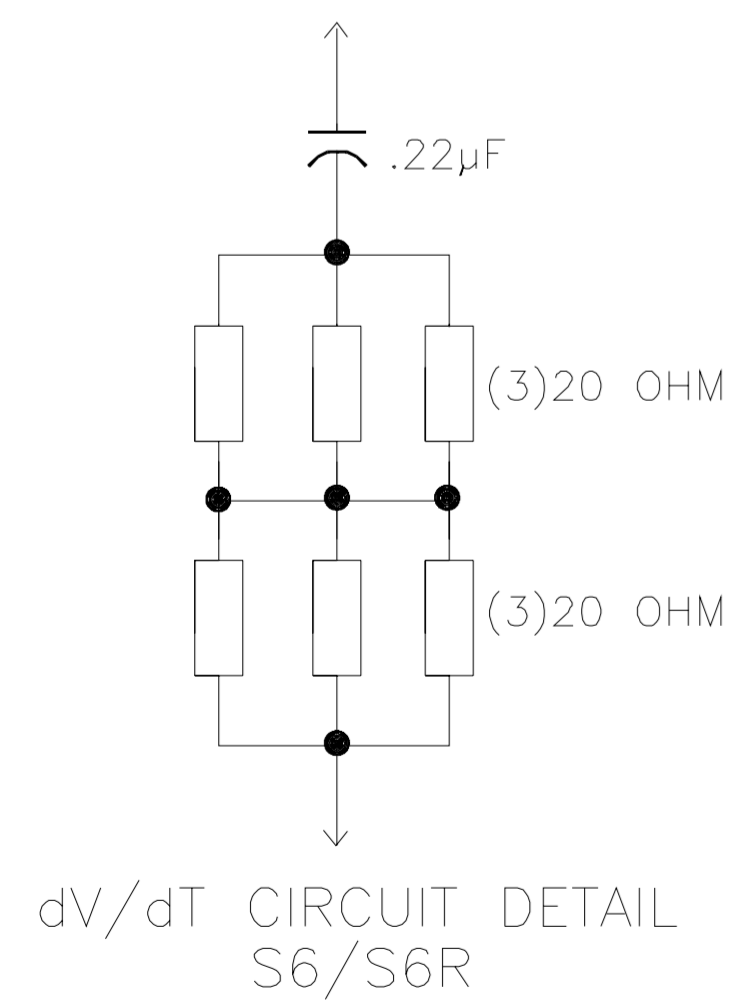
⊙ CATHOD FACE UP



ALL dV/dT CIRCUITS LOCATED ON dV/dT PC BOARDS.

S6 ARMATURE SUPPLY

S6 THYRISTOR ARRANGEMENT



TOP

⊗ = FASTONS ON dV/dt PC BOARDS
R = RED
W = WHITE

400 THRU 600HP AT 460VAC
500 THRU 700HP AT 575VAC

REVISION	02
ECN	01R1063
DATE	4-13-01
BY	TLS
N/R	500416
DATE	11/14/97
RELEASE	600HP W/D & M/NS

RELIANCE ELECTRIC
RELIANCE ELECTRIC INDUSTRIAL COMPANY • CLEVELAND, OH 44117

WIRING DIAGRAM BULLETIN 1397
S6/S6R 400/600HP 460V, 500/700HP 575VAC

DR. JAL	DATE 11/14/97	SCALE: 1=1
CK. MQ/TS	ENG'R SB/LX	SHEET 2 OF 7
APP. TMC	DISTRIBUTION 13-851-76	WD 30374-3