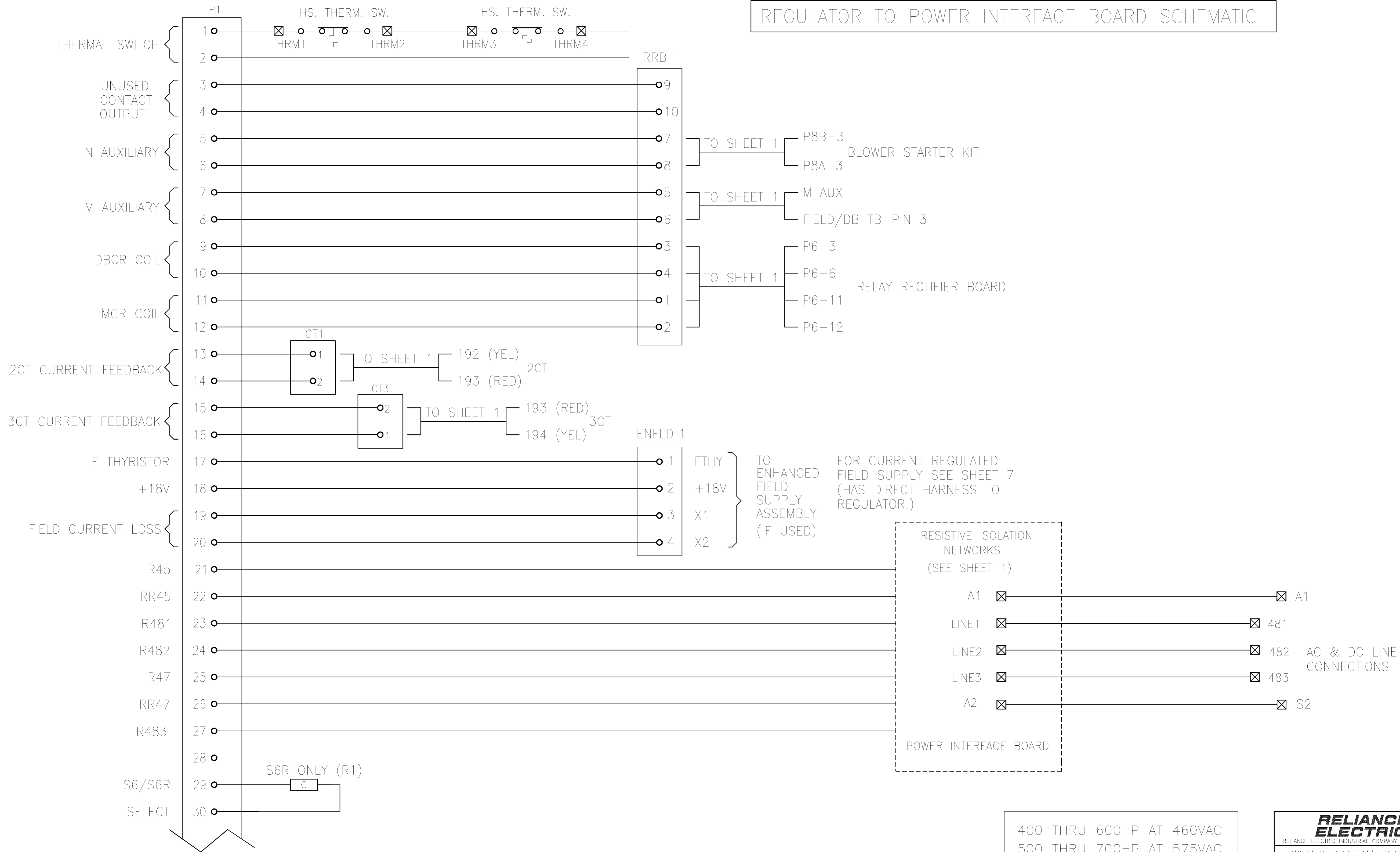
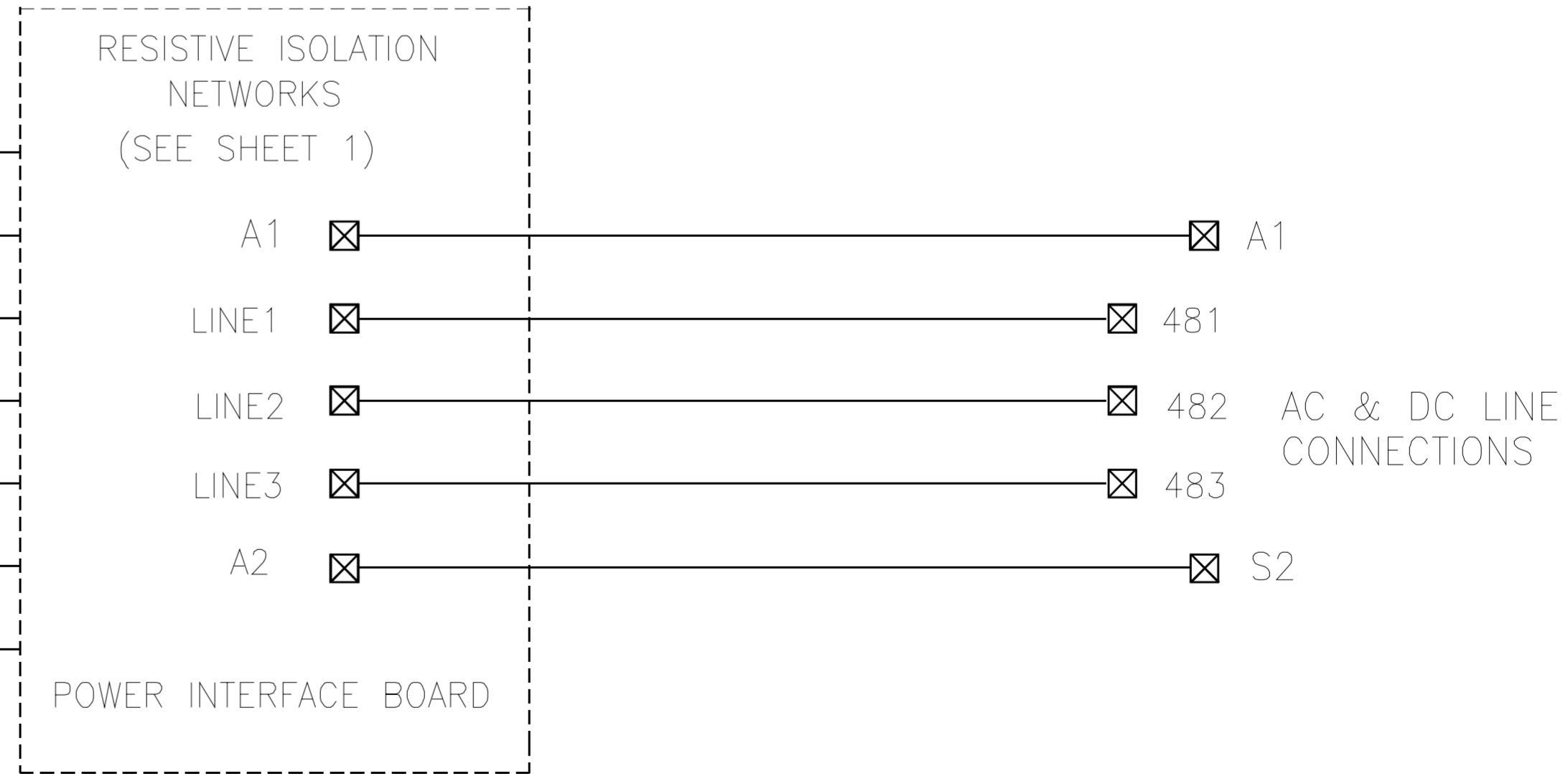


REGULATOR TO POWER INTERFACE BOARD SCHEMATIC



TO ENHANCED FIELD SUPPLY ASSEMBLY (IF USED)  
FOR CURRENT REGULATED FIELD SUPPLY SEE SHEET 7 (HAS DIRECT HARNESS TO REGULATOR.)



400 THRU 600HP AT 460VAC  
500 THRU 700HP AT 575VAC

TO SHEET 4

REVISION 02
ECN 01R1063
DATE 4-13-01
BY TJS
N/R 500416
DATE 11/14/97
RELEASE 600HP
W/D & M/Na

**RELIANCE ELECTRIC**  
RELIANCE ELECTRIC INDUSTRIAL COMPANY • CLEVELAND, OH 44117

WIRING DIAGRAM BULLETIN 1397  
S6/S6R 400/600HP 460V, 500/700HP 575VAC

DR. JAL	DATE 11/14/97	SCALE: 1=1
CK. MQ/TS	ENG'R SB/LX	SHEET 3 OF 7
APP. TMC	DISTRIBUTION 13-851-76	WD 30374-3