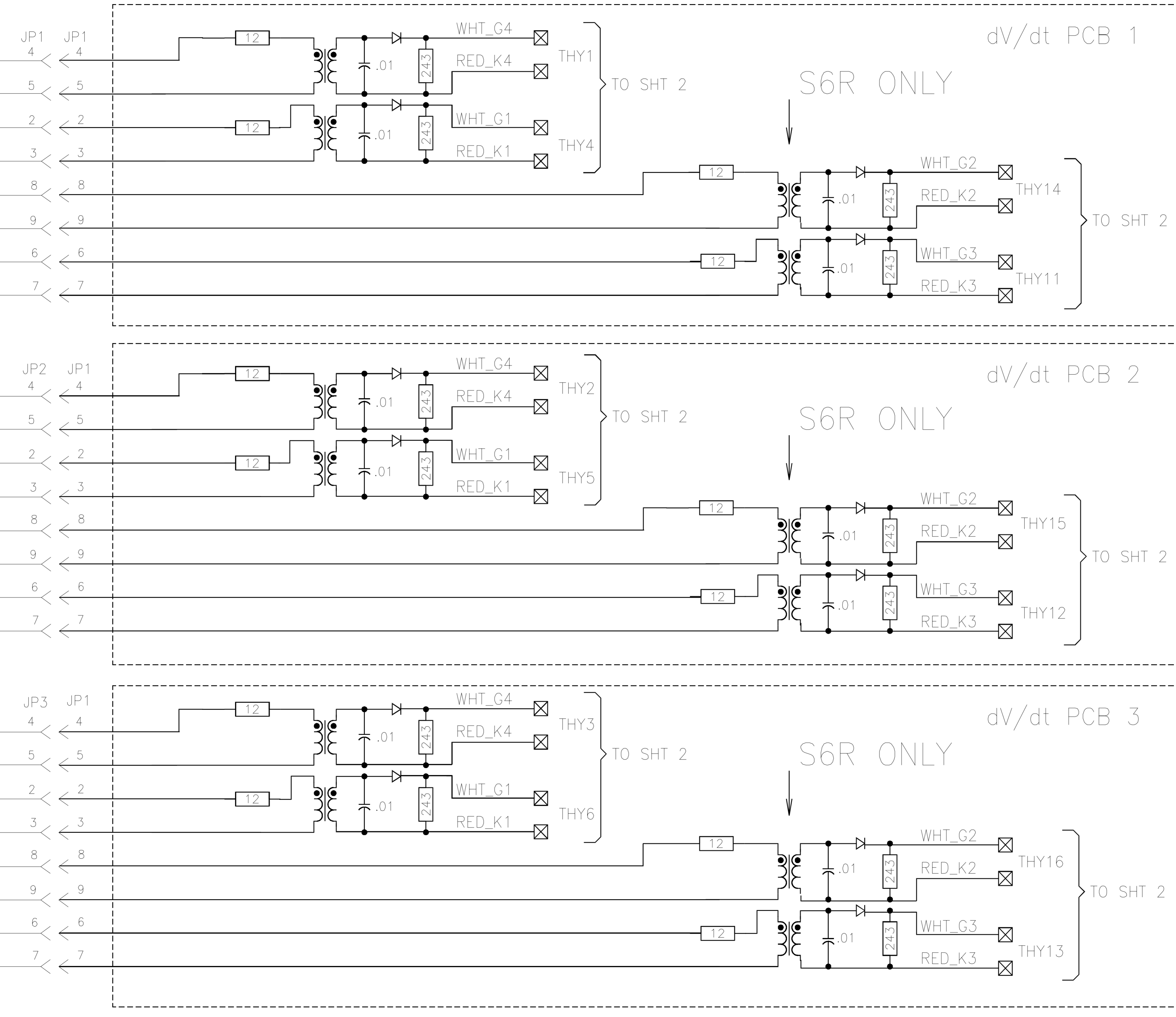
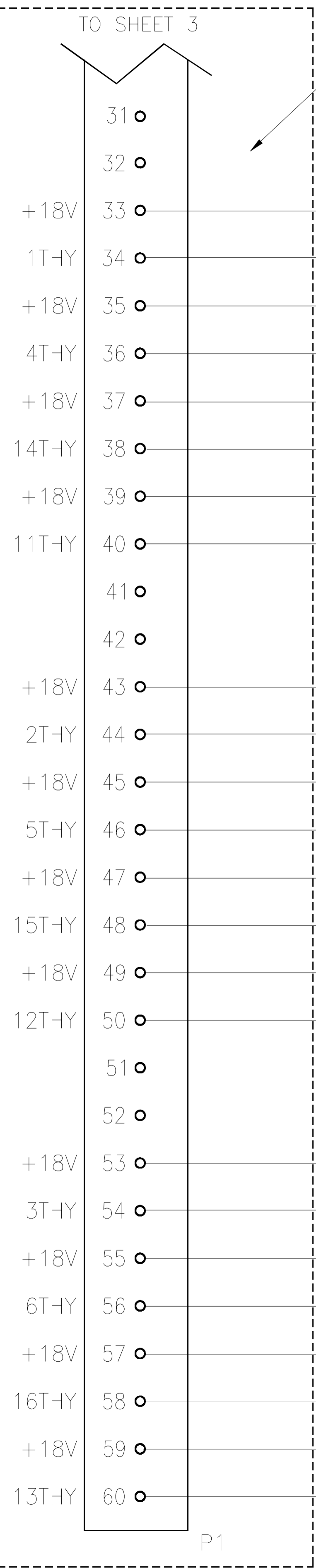


REGULATOR TO POWER INTERFACE BOARD TO dV/dt BOARD SCHEMATIC

POWER INTERFACE PC BOARD

dV/dt PRINTED CIRCUIT BOARDS



⊠ = FASTONS ON dV/dt PC BOARDS

400 THRU 600HP AT 460VAC  
500 THRU 700HP AT 575VAC

REVISION	02
ECN	01R1063
DATE	4-13-01
BY	TLS
N/R	500416
DATE	11/14/97
RELEASE	600HP
W/D & M/NS	

**RELIANCE ELECTRIC**  
RELIANCE ELECTRIC INDUSTRIAL COMPANY • CLEVELAND, OH 44117

WIRING DIAGRAM BULLETIN 1397  
S6/S6R 400/600HP 460V, 500/700HP 575VAC

DR. JAL	DATE 11/14/97	SCALE: 1=1
CK. MQ/TS	ENG'R SB/LX	SHEET 4 OF 7
APP. TMC	DISTRIBUTION 13-851-76	WD 30374-3