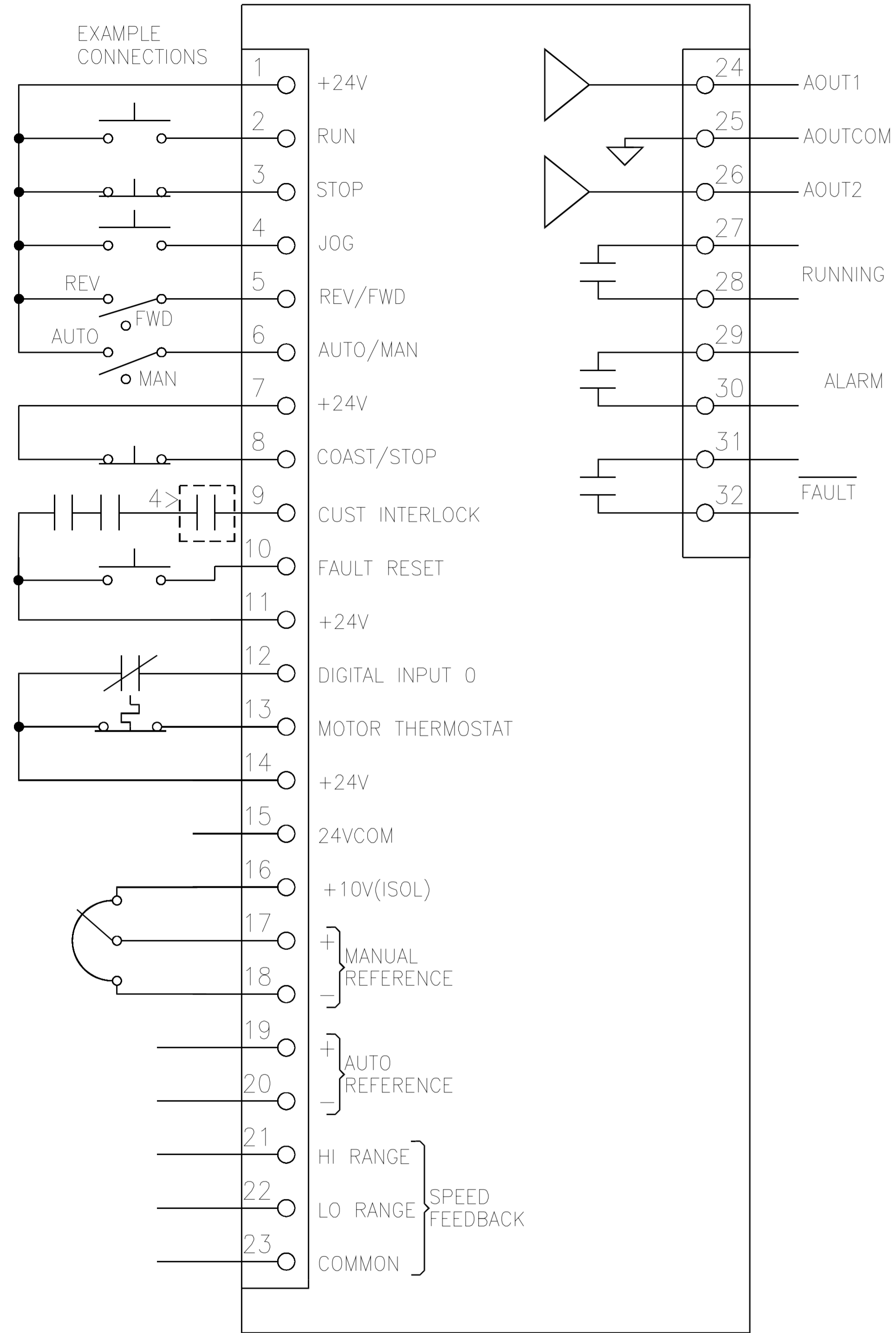
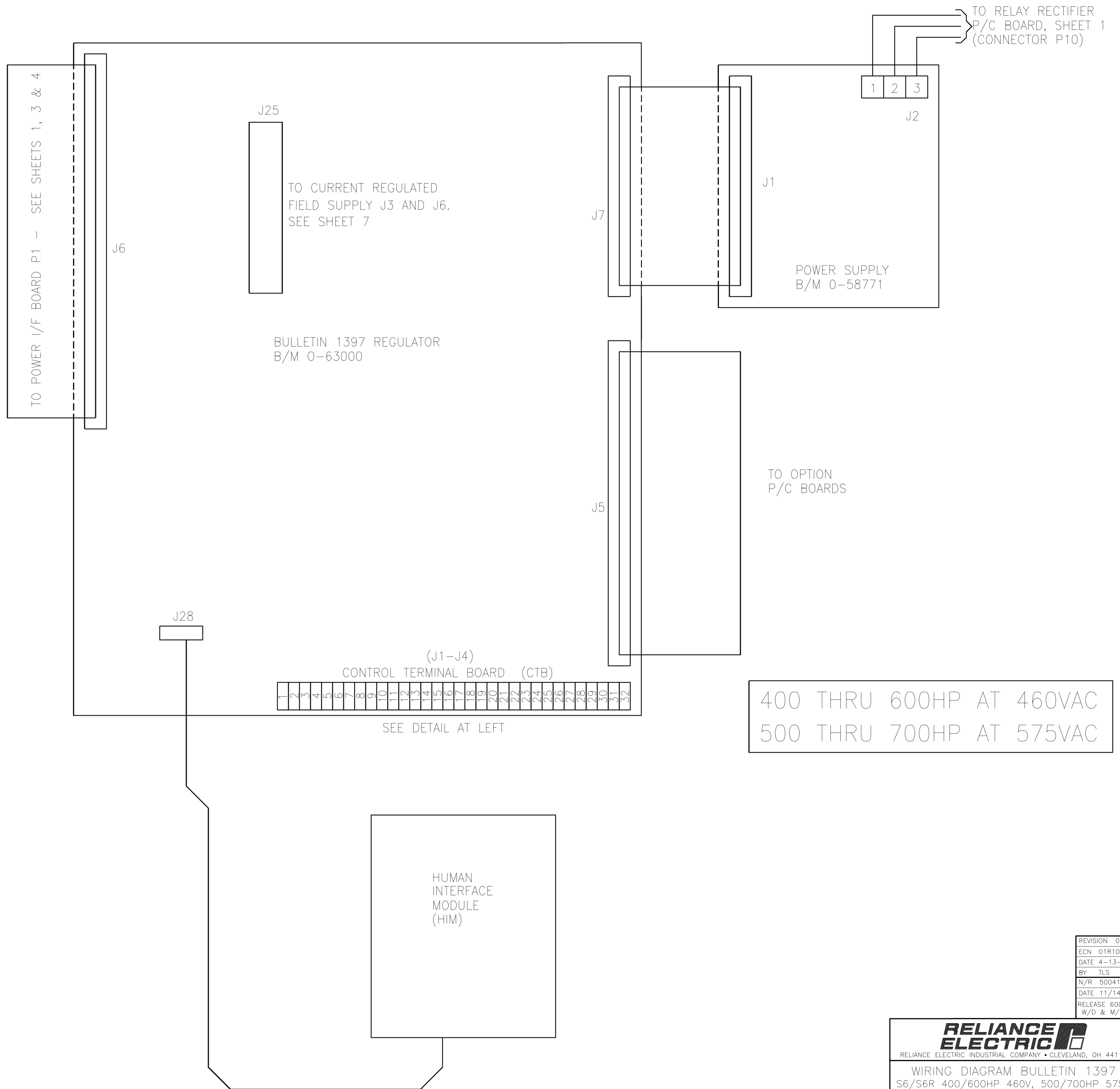


CTB DETAIL



4> INVERTING FAULT BREAKER AUX CONTACT WHEN USED ON S6R.



REVISION 02
ECN 01R1063
DATE 4-13-01
BY TJS
N/R 500416
DATE 11/14/97
RELEASE 600HP
W/D & M/No

**RELIANCE ELECTRIC**  
RELIANCE ELECTRIC INDUSTRIAL COMPANY • CLEVELAND, OH 44117

WIRING DIAGRAM BULLETIN 1397  
S6/S6R 400/600HP 460V, 500/700HP 575V

DR. JAL	DATE 11/14/97	SCALE: 1=1
CK. MQ/TS	ENG'R SB/LX	SHEET 5 OF 7
APP. TMC	DISTRIBUTION 13-851-76	WD 30374-3