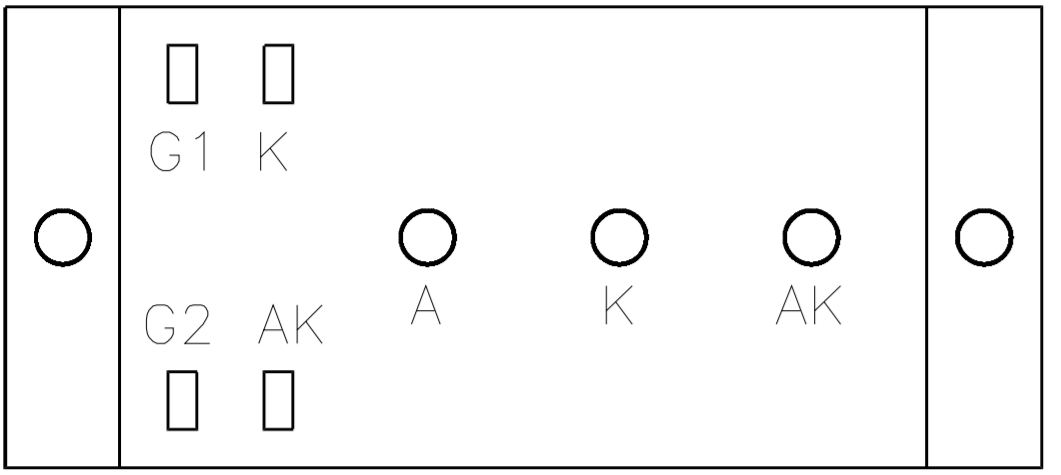
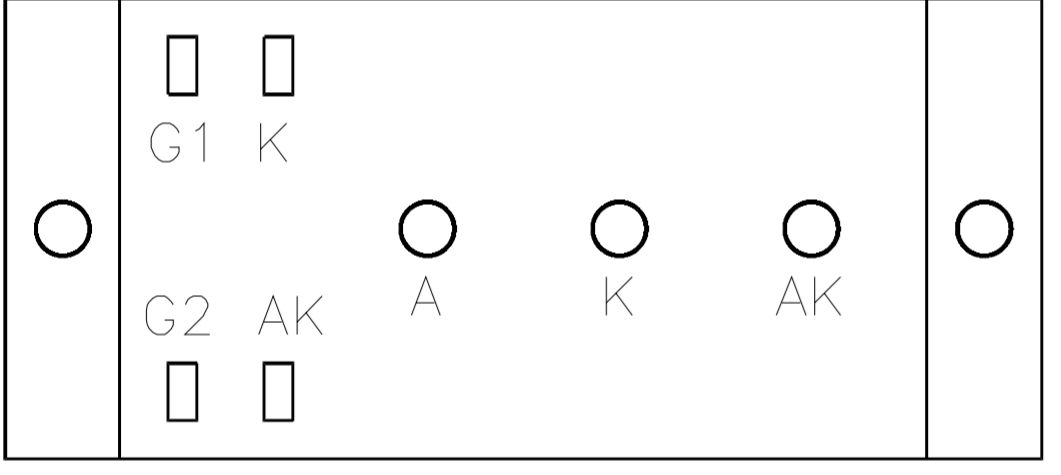


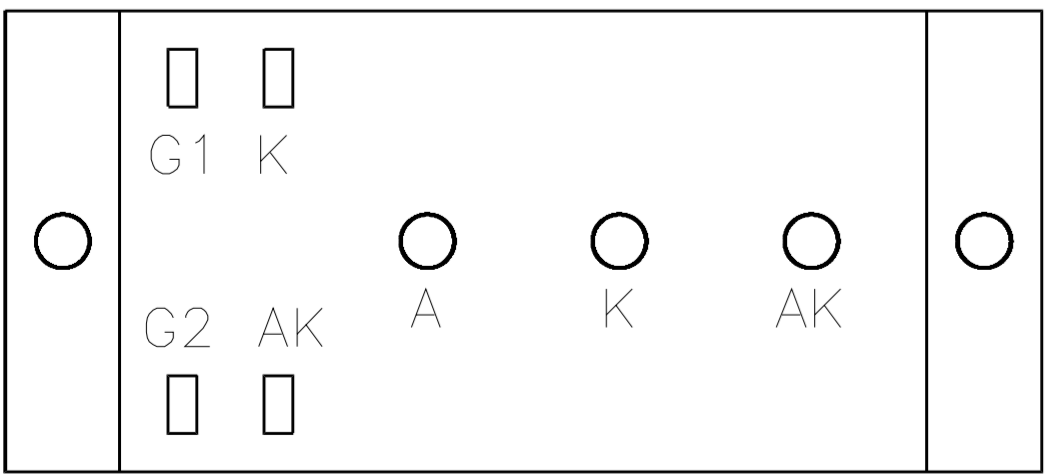
MECHANICAL ARRANGEMENT S6



GATES: 4 THY = G1 481 = AK
1 THY = G2 47 = K
45 = A

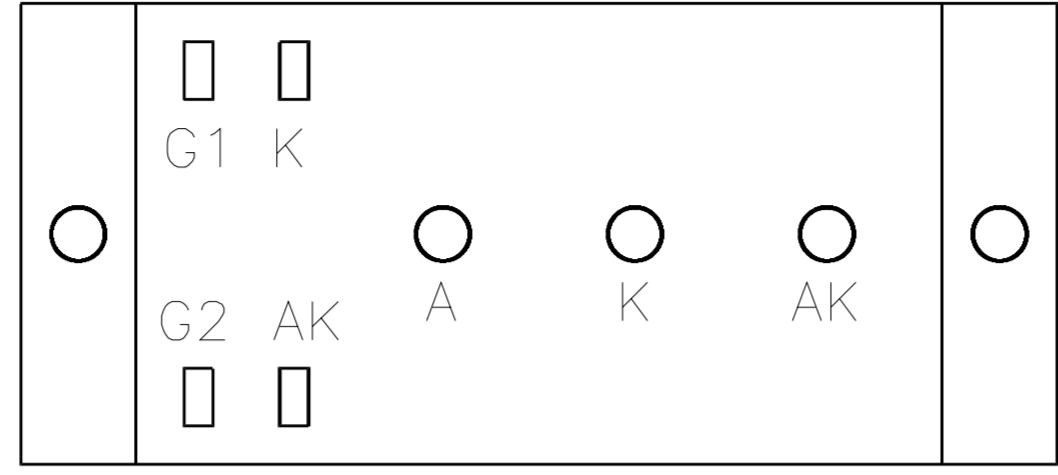


GATES: 5 THY = G1 382 = AK
2 THY = G2 47 = K
45 = A

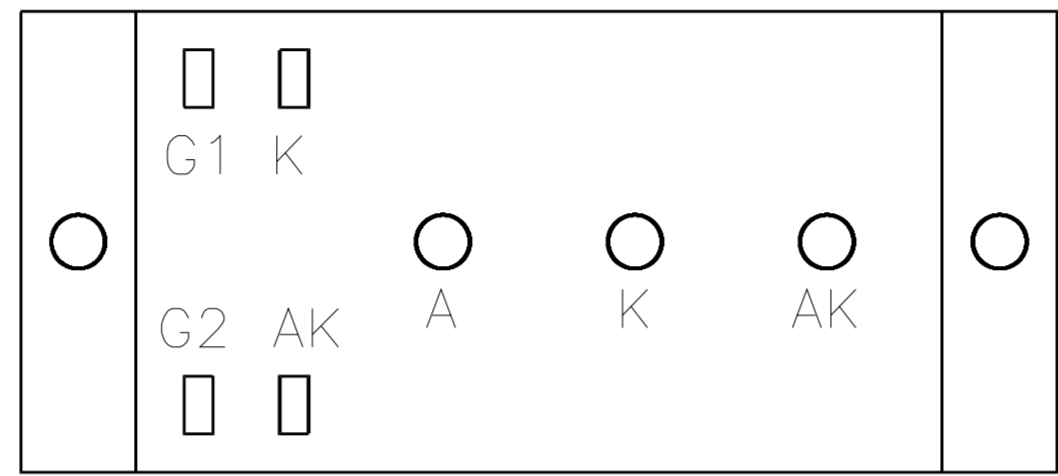


GATES: 6 THY = G1 483 = AK
3 THY = G2 47 = K
45 = A

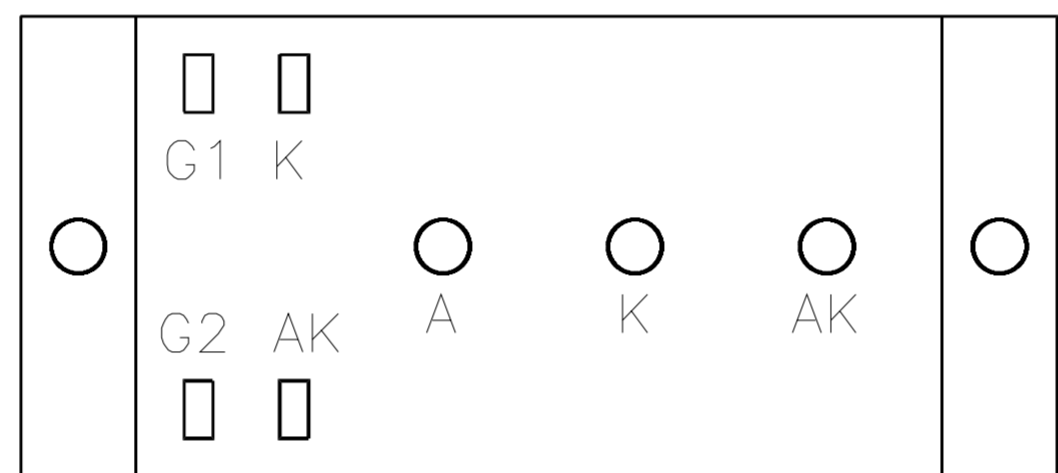
MECHANICAL ARRANGEMENT S6R



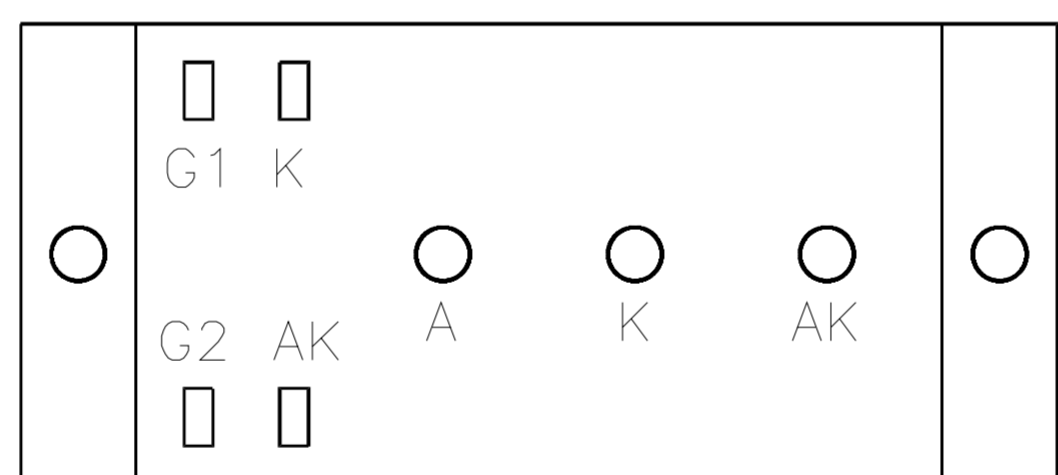
GATES: 4 THY = G1 481 = AK
11 THY = G2 47 = A,K



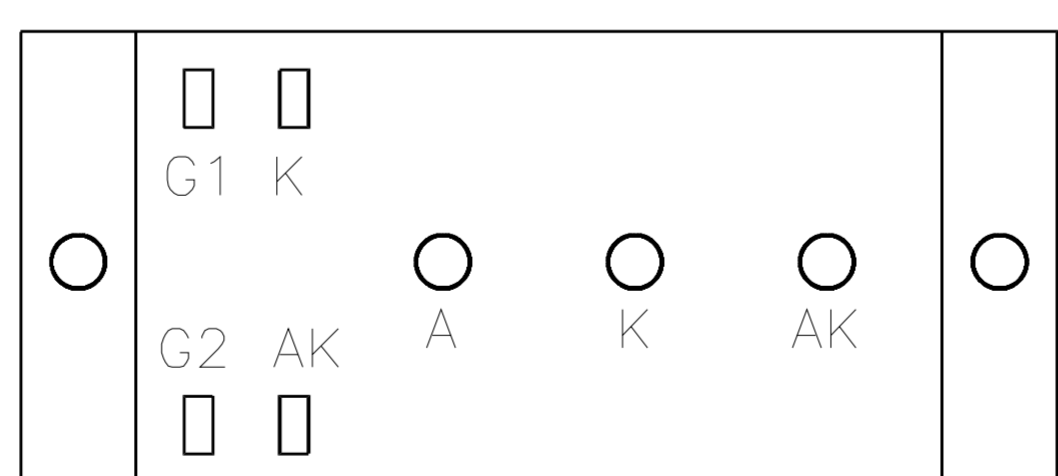
GATES: 14 THY = G1 481 = AK
1 THY = G2 45 = A,K



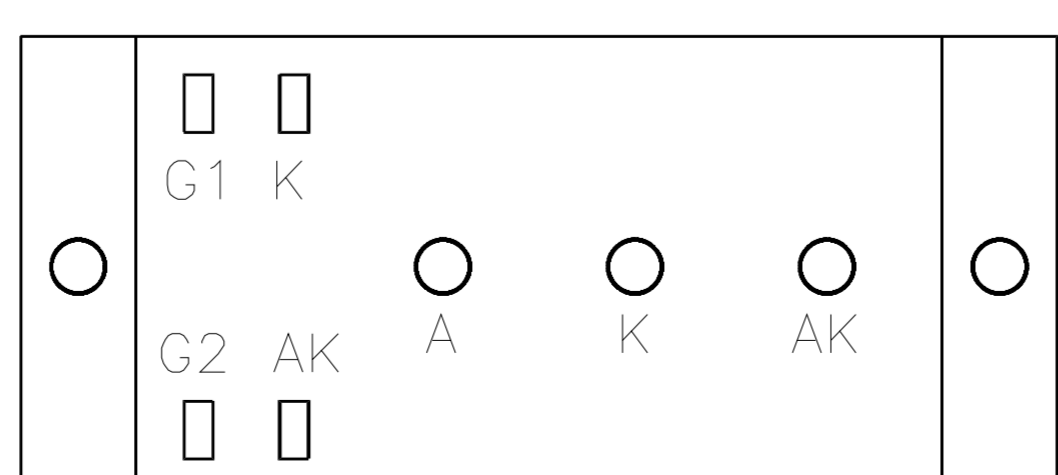
GATES: 5 THY = G1 382 = AK
12 THY = G2 47 = A,K



GATES: 15 THY = G1 382 = AK
2 THY = G2 45 = A,K

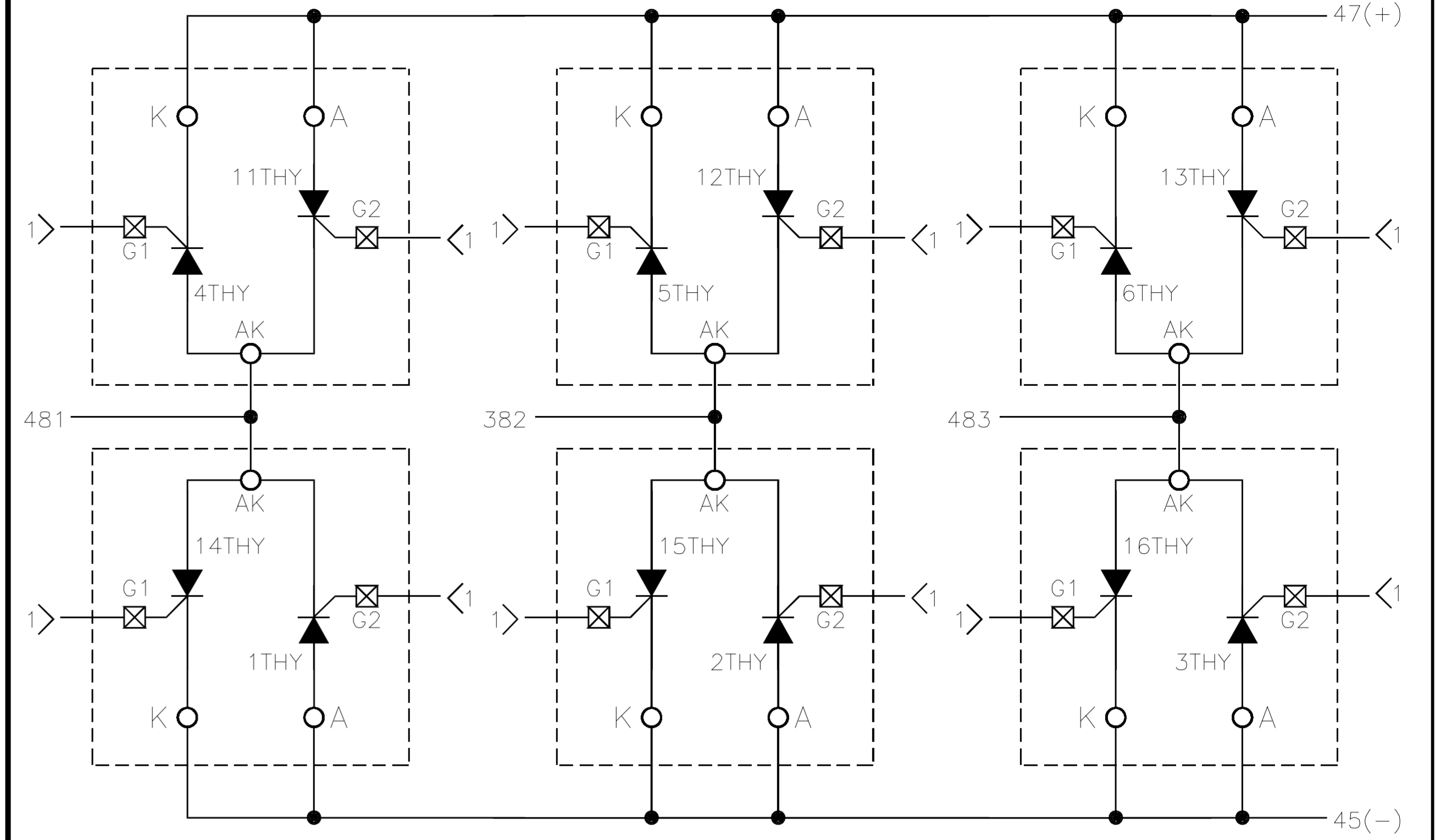


GATES: 6 THY = G1 483 = AK
13 THY = G2 47 = A,K



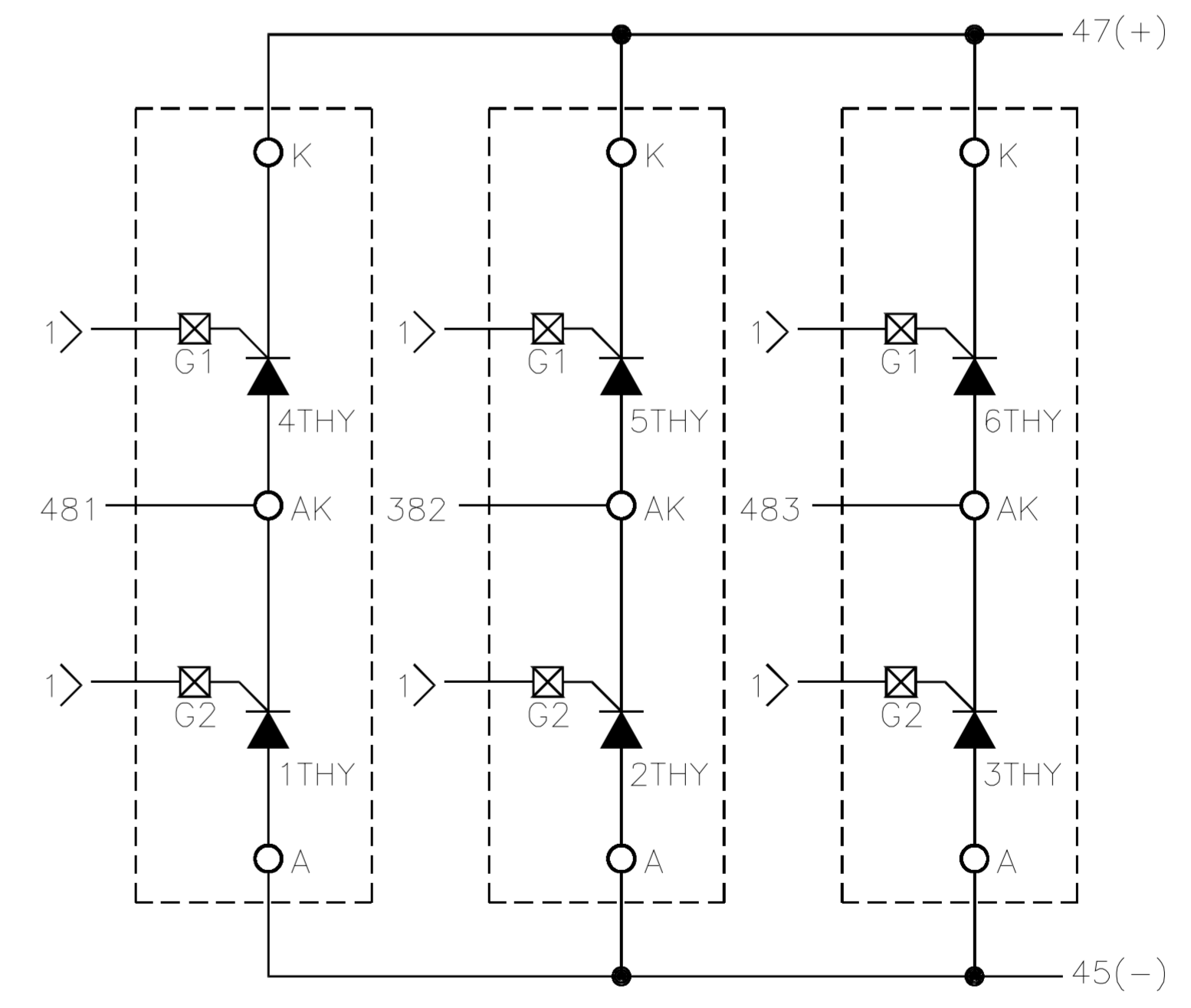
GATES: 16 THY = G1 483 = AK
3 THY = G2 45 = A,K

S6R ARMATURE SUPPLY



S6R ARMATURE SUPPLY SCHEMATIC DIAGRAM

S6 ARMATURE SUPPLY



S6 ARMATURE SUPPLY SCHEMATIC DIAGRAM

⊠ FASTON CONNECTOR
○ TERMINAL CONNECTION

SCR LAYOUT
40 THRU 75HP AT 230VAC
75 THRU 150HP AT 460VAC

| | |
|---------|---------|
| C/R | 357687 |
| DATE | 1-9-98 |
| SEE C/R | REV -02 |
| N/R | 500357 |
| DATE | 11-8-96 |
| SEE N/R | BODY |

RELIANCE ELECTRIC
RELIANCE ELECTRIC INDUSTRIAL COMPANY • CLEVELAND, OH 44117

WIRING DIAGRAM BULLETIN 1397
S6/S6R 75/150HP 230/460VAC

| | | |
|----------|------------------------|---------------|
| DR. TLS | DATE 11-8-96 | SCALE: NONE |
| CK. MWQ | ENG'R JEB | SHEET 2 OF 12 |
| APP. TMC | DISTRIBUTION 13-688-76 | W/D 30372-23 |