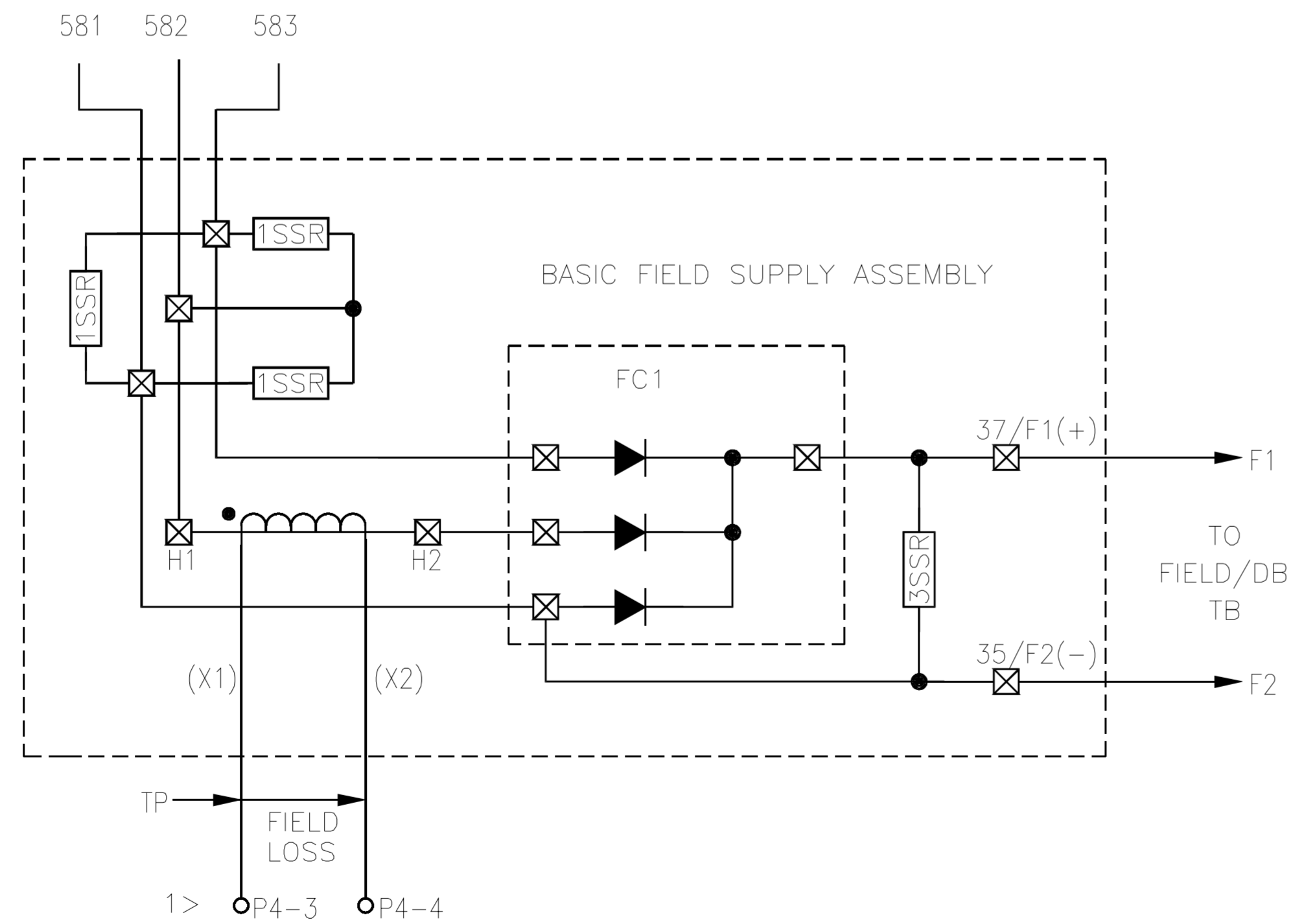


BASIC FIELD SUPPLY

FIELD OUTPUT		REPLACEMENT PARTS TABLE					
230VAC INPUT	460VAC INPUT	FIELD <14 SUPPLY ASSEMBLY	FIELD SUPPLY PC BOARD	FIELD POWER CUBES	FUSES <20	SURGE SUPPRESSOR	FIELD LOSS CT ASSEMBLY
				FC1			
10A MAX 150V	10A MAX 300V	610273-14S	0-58719-0	701819-20AW	6FU, 7FU, 8FU	1SSR, 3SSR	610273-29S
15A MAX 150V	15A MAX 300V	610273-14R			CLASS CC 15A, 600V 64676-30K	411026-AW	610273-29R

<1 TO REGULATOR THRU POWER I/F PC BOARD.
 <14 ASSEMBLY INCLUDES CURRENT TRANSFORMER, FIELD POWER CUBES, WIRING, AND MOUNTING BRACKET.
 <20 LOCATED ON DRIVE FUSE PANEL.



N/R 500357
 DATE 11-8-96
 SEE N/R
 BODY

RELIANCE ELECTRIC
 RELIANCE ELECTRIC INDUSTRIAL COMPANY • CLEVELAND, OH 44117

WIRING DIAGRAM BULLETIN 1397
 S6/S6R 75/150HP 230/460VAC

DR. TJS	DATE 11-8-96	SCALE: NONE
CK. MWQ	ENG'R JEB	SHEET 4 OF 12
APP. TMC	DISTRIBUTION 13-688-76	W/D 30372-23