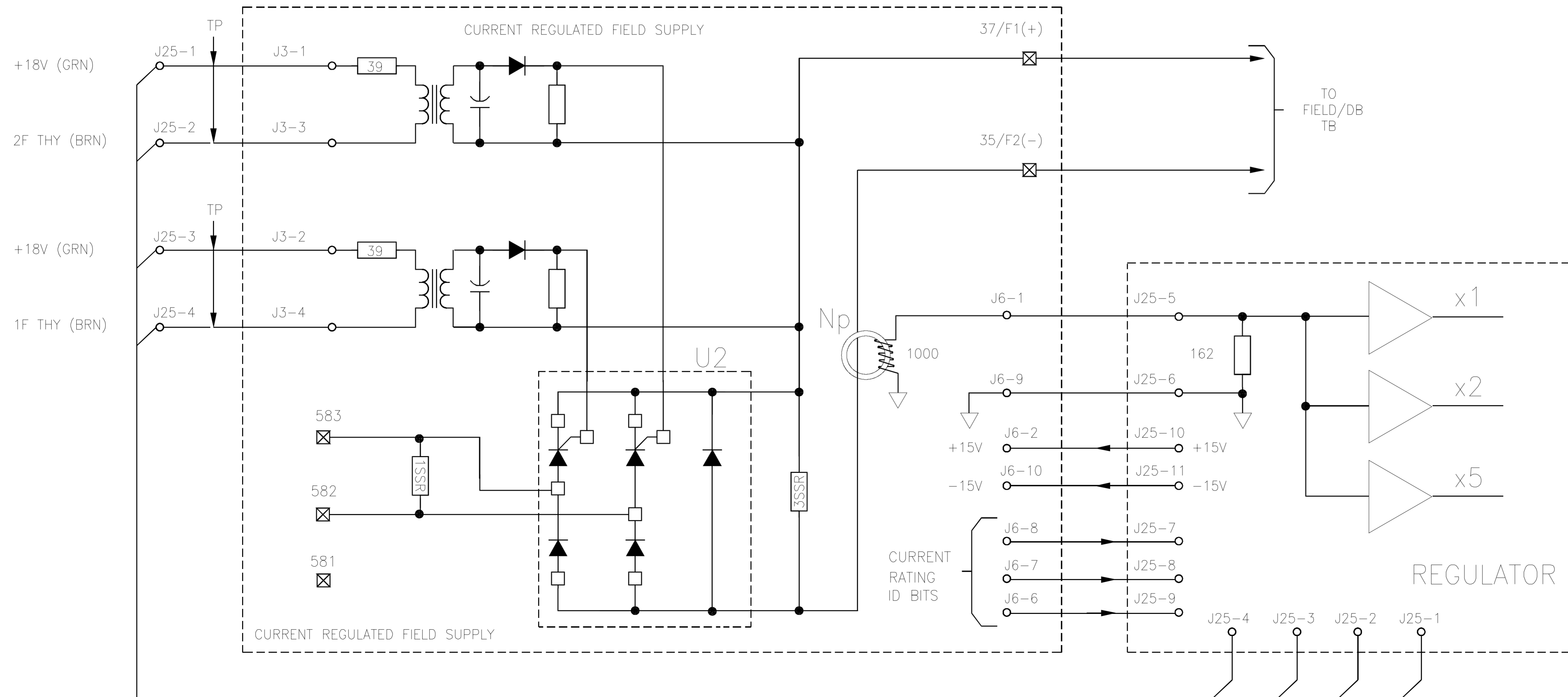


CURRENT REGULATED FIELD SUPPLY

FIELD OUTPUT		HALL DEVICE TURNS RATIO Np:1000	REPLACEMENT PARTS TABLE				
230VAC INPUT	460VAC INPUT		FIELD <14 SUPPLY ASSEMBLY	FIELD SUPPLY PC BOARD	FIELD POWER CUBE U2	FUSES <20 6FU, 7FU, 8FU	SURGE SUPPRESSOR 1SSR, 3SSR
4 A MAX	4 A MAX	5 : 1000	707973-10R	0-58719-30	701819-302BA	CLASS CC 25A, 600V 64676-30M	411026-AW
10A MAX	10A MAX	2 : 1000	707973-10S	0-58719-31			
15A MAX	15A MAX	1 : 1000	707973-10T	0-58719-32			

<14 ASSEMBLY INCLUDES CURRENT SENSOR, FIELD
POWER CUBE, WIRING, AND MOUNTING BRACKET.
<20 FUSES LOCATED ON DRIVE FUSE PANEL.



C/R 357687
DATE 1-9-98
SEE C/R
REV -02
N/R 500357
DATE 11-8-96
SEE N/R
BODY

RELIANCE ELECTRIC
RELIANCE ELECTRIC INDUSTRIAL COMPANY • CLEVELAND, OH 44117

WIRING DIAGRAM BULLETIN 1397
S6/S6R 75/150HP 230/460VAC

DR. TLS	DATE 11-8-96	SCALE: NONE
CK. MWQ	ENG'R MWQ	SHEET 6 OF 12
APP. TMC	DISTRIBUTION 13-688-76	W/D 30372-23