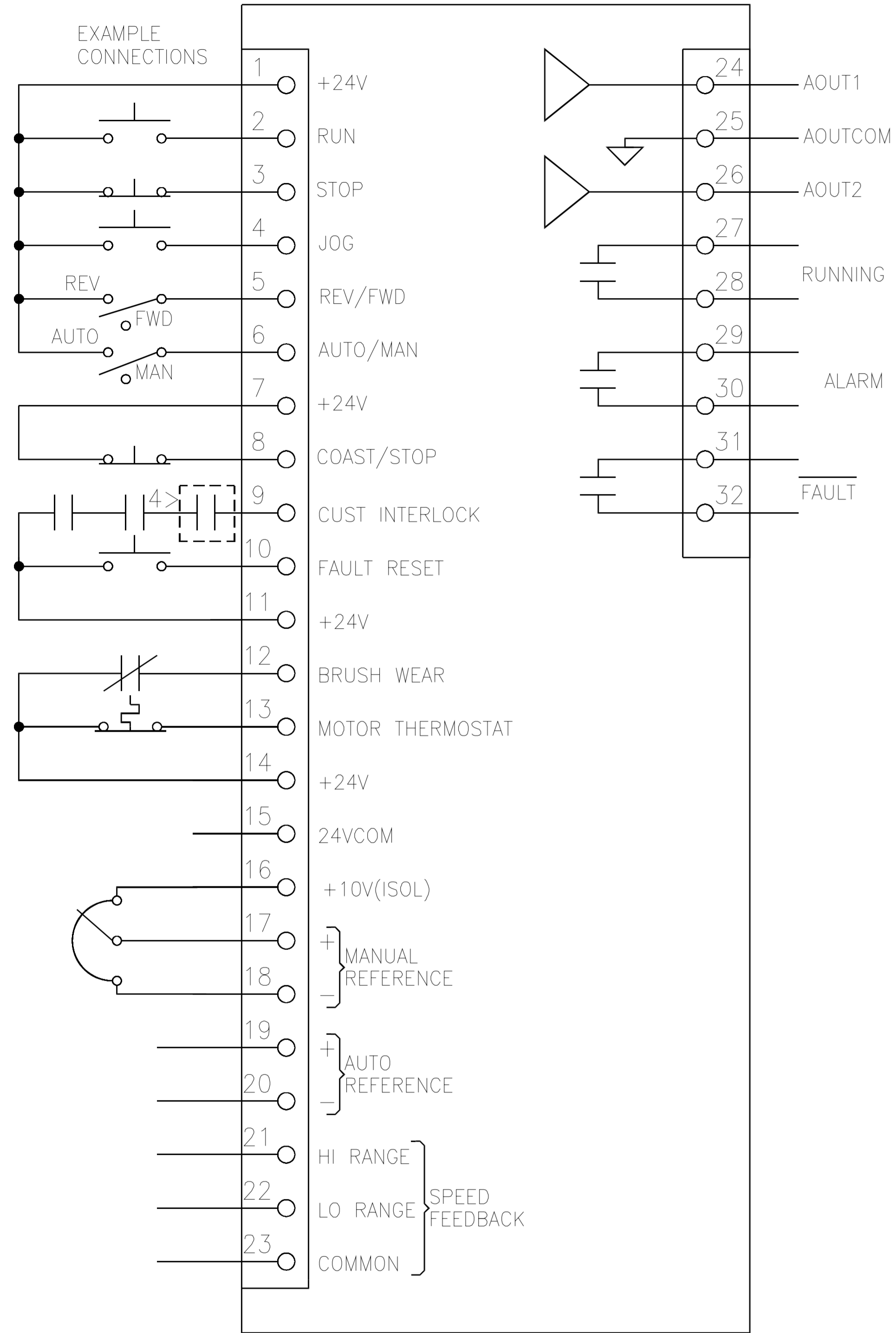
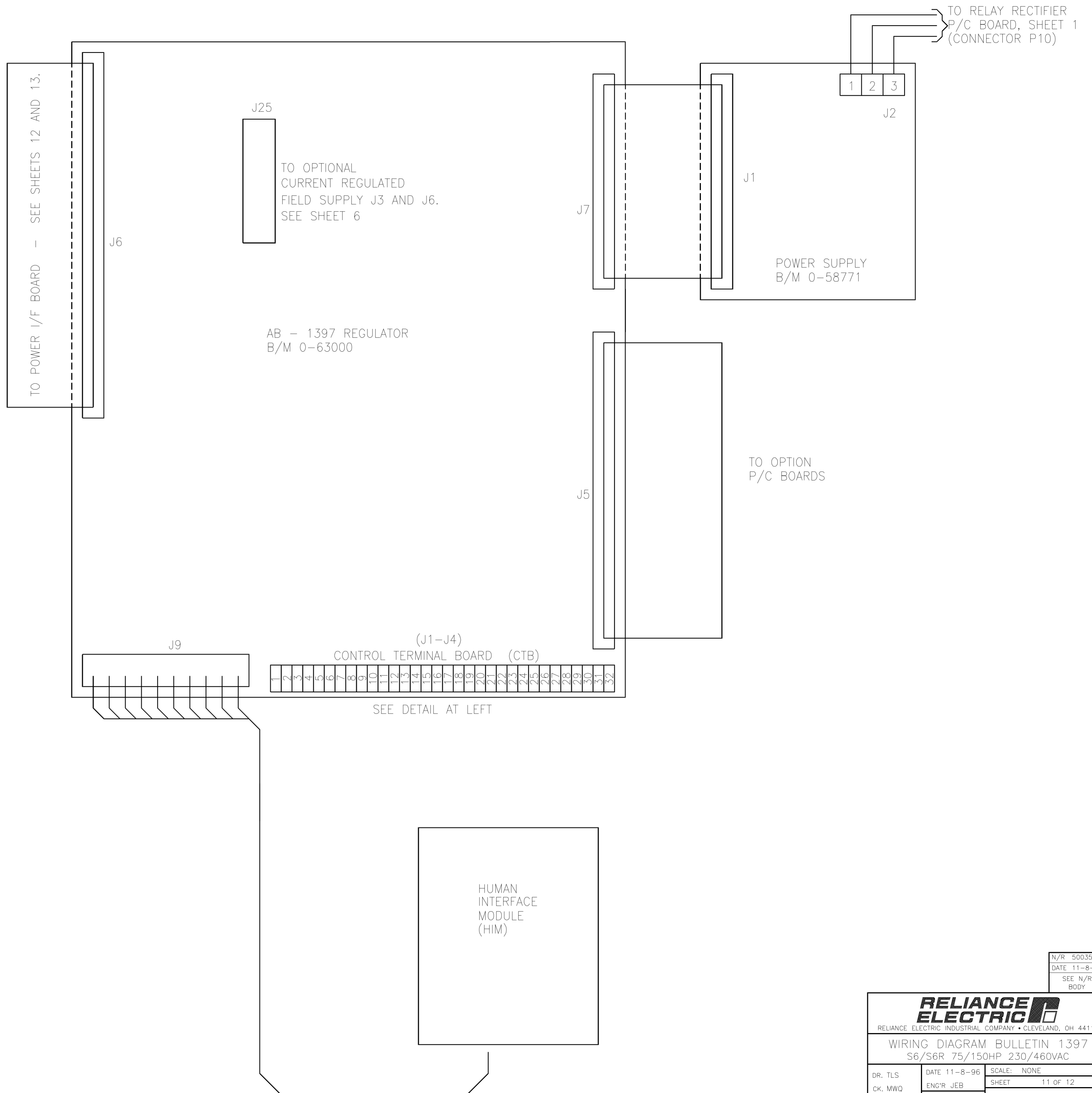


CTB DETAIL



4> INVERTING FAULT BREAKER AUX CONTACT WHEN USED ON S6R.



N/R 500357
DATE 11-8-96
SEE N/R BODY

RELIANCE ELECTRIC
RELIANCE ELECTRIC INDUSTRIAL COMPANY • CLEVELAND, OH 44117

WIRING DIAGRAM BULLETIN 1397
S6/S6R 75/150HP 230/460VAC

DR. TLS	DATE 11-8-96	SCALE: NONE
CK. MWQ	ENG'R JEB	SHEET 11 OF 12
APP. TMC	DISTRIBUTION 13-688-76	W/D 30372-23