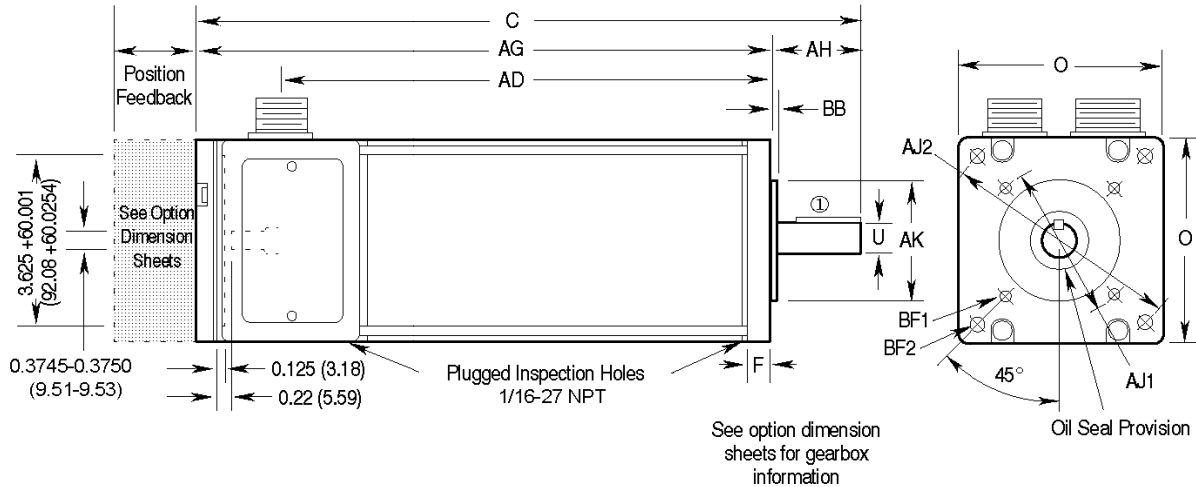


1326AB AC Servomotor Dimensions

The following figures provide approximate dimensions for the 1326AB face and flange mount motors, respectively.

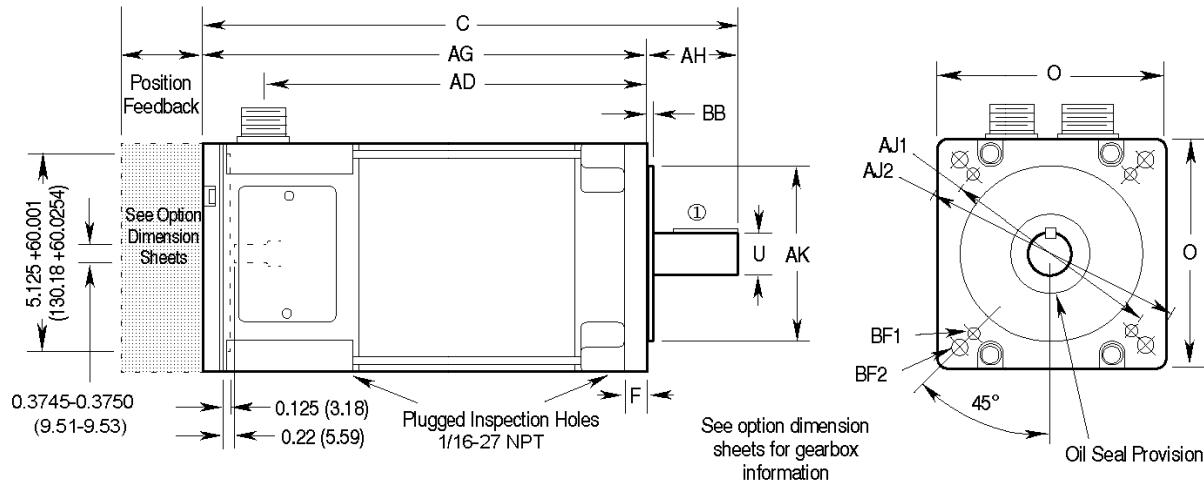
Figure 1 Motor Dimensions - 1326AB-Axx Series Servomotor



Standard Catalog Number	Inch Combination Description	Face/Flange Mount (in inches)	AD	AG	AH	AK ¹	c	o	U ²	Key
1326AB-A1x-11	without brake		8.69	10.44	2.00	2.500	12.44	4.38	0.6250	0.19 x 0.19 x 1.38
1326AB-A2x-11			10.94	12.69	2.00	2.500	14.69	4.38	0.6250	0.19 x 0.19 x 1.38
1326AB-A3x-11			13.19	14.94	2.00	2.500	16.94	4.38	0.6250	0.19 x 0.19 x 1.38
1326AB-Axx-11-K4	with optional 24V DC, 72 lb.-in. brake		add 2.25 inches to AD, AG and C							
1326AB-Axx-11-A4	with standard 90V DC, 72 lb.-in. brake		add 2.25 inches to AD, AG and C							
BF1 = 0.312 - 18 tapped hole, 0.38 deep							① Shaft Runout	0.002 T.I.R.		
BF2 = 0.344 dia.							Shaft Endplay	0.005 T.I.R.		
AJ1 = 3.250							Pilot Eccentricity	0.004 T.I.R.		
AJ2 = 5.0							Maximum Face Runout	0.004 T.I.R.		
BB = 0.125										
F = 0.56										
¹ +0.000, -0.003		² +0.000, -0.0005		BF1 & AJ1 are found on English units only.						

Standard Catalog Number	Metric Flange Mount (in millimeters)	Description	AD	AG	AH ³	AK ⁴	c	o	U ⁵	Key
1326AB-A1x-21	without brake		278	297	40	95	337	111	19	6 x 6 x 30
1326AB-A2x-21			335	354	40	95	394	111	19	6 x 6 x 30
1326AB-A3x-21			392	411	40	95	451	111	19	6 x 6 x 30
1326AB-Axx-21-K4	with optional 24V DC, 8.1 N-m brake		add 57 millimeters to AD, AG and c							
1326AB-Axx-21-A4	with standard 90V DC, 8.1 N-m brake		add 57 millimeters to AD, AG and c							
BF2 = 10 +0.360/-0.000 dia.							① Shaft Runout	0.051 T.I.R.		
AJ2 = 115							Shaft Endplay	0.127 T.I.R.		
BB = 3.0							Pilot Eccentricity	0.102 T.I.R.		
F = 15.0							Maximum Face Runout	0.102 T.I.R.		
³ +0.5, -0.5		⁴ +0.013, -0.009		⁵ +0.009, -0.004						

Figure 2 Motor Dimensions - 1326AB-Bxx Series Servomotor



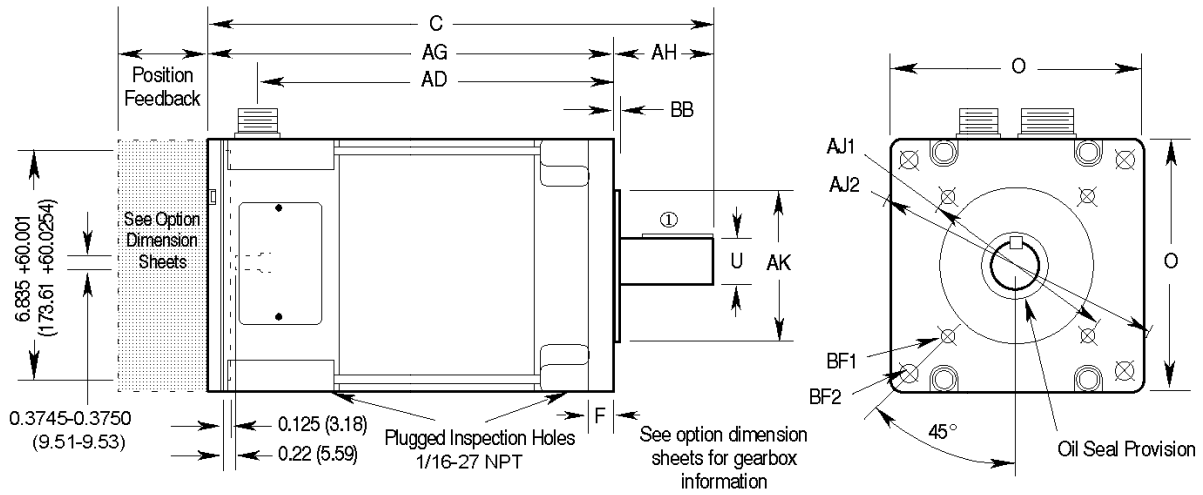
Standard Inch Combination Face/Flange Mount (in inches)

Catalog Number	Description	AD	AG	AH	AK ¹	C	O	U ²	Key
1326AB-B1x-11	without brake	10.16	11.78	2.38	4.50	14.16	5.88	1.1250	0.25 x 0.25 x 1.50
1326AB-B2x-11		13.16	14.78	2.38	4.50	17.16	5.88	1.1250	0.25 x 0.25 x 1.50
1326AB-B3x-11		16.41	18.03	2.38	4.50	20.41	5.88	1.1250	0.25 x 0.25 x 1.50
1326AB-B4x-11		19.66	21.28	2.38	4.50	23.66	5.88	1.1250	0.25 x 0.25 x 1.50
1326AB-Bxx-11-K5	with optional 24V DC, 120 lb.-in. brake	add 2.25 inches to AD, AG and C							
1326AB-Bxx-11-A5	with standard 90V DC, 120 lb.-in. brake	add 2.25 inches to AD, AG and C							
BF1 = 0.375 - 16 tapped hole, 0.38 deep						① Shaft Runout		0.002 T.I.R.	
BF2 = 0.406 dia.						Shaft Endplay		0.005 T.I.R.	
AJ1 = 5.875						Pilot Eccentricity		0.004 T.I.R.	
AJ2 = 7.0						Maximum Face Runout		0.004 T.I.R.	
BB = 0.093									
F = 0.66									
¹ +0.000, -0.003		² +0.000, -0.0005		BF1 & AJ1 are found on English units only.					

Metric Flange Mount (in millimeters)

Catalog Number	Description	AD	AG	AH ³	AK ⁴	c	O	U ⁵	Key
1326AB-B1x-21	without brake	257	298	50	130	348	149	24	8 x 7 x 40
1326AB-B2x-21		333	374	50	130	424	149	24	8 x 7 x 40
1326AB-B3x-21		416	457	50	130	507	149	24	8 x 7 x 40
1326AB-B4x-21		498	540	50	130	589	149	24	8 x 7 x 40
1326AB-Axx-21-K5	with optional 24V DC, 13.6 N-m brake	add 57 millimeters to AD, AG and c							
1326AB-Axx-21-A5	with standard 90V DC, 13.6 N-m brake	add 57 millimeters to AD, AG and c							
BF2 = 12 +0.430/-0.000 dia.						① Shaft Runout		0.051 T.I.R.	
AJ2 = 165						Shaft Endplay		0.127 T.I.R.	
BB = 4.0						Pilot Eccentricity		0.102 T.I.R.	
F = 16.0						Maximum Face Runout		0.102 T.I.R.	
³ +0.5, -0.5		⁴ +0.014, -0.011		⁵ +0.009, -0.004					

Figure 3 Motor Dimensions - 1326AB-Cxx Series Servomotor



Standard Inch Combination Face/Flange Mount (in inches)

Catalog Number	Description	AD	AG	AH	AK ¹	C	O	U ²	Key
1326AB-C1x-11	without brake	10.88	12.44	3.00	4.50	15.44	7.63	1.3750	0.31 x 0.31 x 2.00
1326AB-C2x-11		13.88	15.44	3.00	4.50	18.44	7.63	1.3750	0.31 x 0.31 x 2.00
1326AB-C3x-11		17.38	18.94	3.00	4.50	21.94	7.63	1.3750	0.31 x 0.31 x 2.00
1326AB-C4x-11		20.88	22.44	3.00	4.50	25.44	7.63	1.3750	0.31 x 0.31 x 2.00
1326AB-Cxx-11-K7	with optional 24V DC, 360 lb.-in. brake				add 2.5 inches to AD, AG and C				
1326AB-Cxx-11-A7	with standard 90V DC, 360 lb.-in. brake				add 2.5 inches to AD, AG and C				

BF1 = 0.375 - 16 tapped hole, 0.69 deep
 BF2 = 0.406 dia.
 AJ1 = 5.875
 AJ2 = 9.0
 BB = 0.187
 F = 0.88

① Shaft Runout 0.002 T.I.R.
 Shaft Endplay 0.005 T.I.R.
 Pilot Eccentricity 0.004 T.I.R.
 Maximum Face Runout 0.004 T.I.R.

¹ +0.000, -0.003 ² +0.000, -0.0005 BF1 & AJ1 are found on English units only.

Metric Flange Mount (in millimeters)

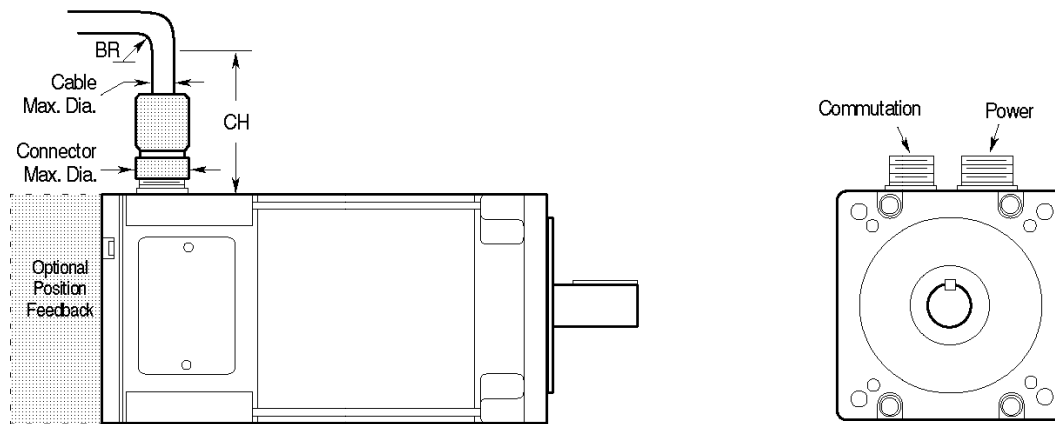
Catalog Number	Description	AD	AG	AH ³	AK ⁴	C	O	U ⁵	Key
1326AB-C1x-21	without brake	277	317	60	180	377	194	32	10 x 8 x 50
1326AB-C2x-21		353	393	60	180	453	194	32	10 x 8 x 50
1326AB-C3x-21		442	482	60	180	543	194	32	10 x 8 x 50
1326AB-C4x-21		531	571	60	180	631	194	32	10 x 8 x 50
1326AB-Cxx-21-K7	with optional 24V DC, 40.7 N-m brake				add 64 millimeters to AD, AG and C				
1326AB-Cxx-21-A7	with standard 90V DC, 40.7 N-m brake				add 64 millimeters to AD, AG and C				

BF2 = 15 +0.430/-0.000 dia.
 AJ2 = 215
 BB = 4.0
 F = 23.0

① Shaft Runout 0.051 T.I.R.
 Shaft Endplay 0.127 T.I.R.
 Pilot Eccentricity 0.102 T.I.R.
 Maximum Face Runout 0.102 T.I.R.

³ +0.5, -0.5 ⁴ +0.014, -0.011 ⁵ +0.018, +0.002

Figure 4 Motor Power & Feedback Cable Dimensions



Dimensions are in inches and (millimeters)

Cable	Description	CH ¹	BR ²	Connector Max. Dia.	Cable Max. Dia.
1326-CFUxxx	Commutation Feedback	4.0 (101.6)	2.0 (50.8)	1.25 (31.75)	0.43 (10.92)
1326ES-CFUxxx ⁴	Commutation Feedback (Extended Length)	4.0 (101.6)	2.0 (50.8)	1.25 (31.75)	0.43 (10.92)
1326-CFUTxxx	Commutation Feedback (High Flex)	4.0 (101.6)	6.8 (172.7)	1.25 (31.75)	0.68 (17.27)
1326ES-CFUTxxx ⁴	Commutation Feedback (Extended Length, High Flex)	4.0 (101.6)	6.8 (172.7)	1.25 (31.75)	0.68 (17.27)
1326-CPABxxx	Motor Power - Series A4, A5	5.0 (127.0)	3.0 (76.2)	1.25 (31.75)	0.55 (13.84)
1326ES-CPABxxx ⁴	Motor Power - Series A4, A5 (Extended Length)	5.0 (127.0)	3.0 (76.2)	1.25 (31.75)	0.55 (13.84)
1326-CPABTxxx	Motor Power - Series A4, A5 (High Flex)	5.0 (127.0)	11.0 (279.4)	1.25 (31.75)	0.73 (18.54)
1326ES-CPABTxxx ⁴	Motor Power - Series A4, A5 (Extended Length, High Flex)	5.0 (127.0)	11.0 (279.4)	1.25 (31.75)	0.73 (18.54)
1326-CPCxxx	Motor Power - Series A7	5.0 (127.0)	3.0 (76.2)	1.25 (31.75)	0.73 (18.54)
1326ES-CPCxxx	Motor Power - Series A7 (Extended Length)	5.0 (127.0)	3.0 (76.2)	1.25 (31.75)	0.73 (18.54)
1326-CPCTxxx	Motor Power - Series A7 (High Flex)	5.0 (127.0)	13.1 (332.7)	1.50 (38.10)	0.87 (22.02)
1326ES-CPCTxxx	Motor Power - Series A7 (Extended Length, High Flex)	5.0 (127.0)	13.1 (332.7)	1.50 (38.10)	0.87 (22.02)
1326-CEUxxx	Encoder Feedback	4.0 (101.6)	2.0 (50.8)	1.25 (31.75)	0.51 (12.95)
1326-CVUxxx	Master/Vernier	4.0 (101.6)	2.0 (50.8)	1.25 (31.75)	0.53 (13.46)

¹ CH is described as the clearance to bend.

² BR (Bend Radius) is specified for standard 1326 cable assemblies. BR may vary on user fabricated cables. For standard cable, BR is a one time flex application. Flex cables have a much higher BR to withstand flex applications.

³ All cables should be hung or laid flat for 24 hours prior to installation. This will allow the conductors to relax into their natural state and guard against internal twisting.

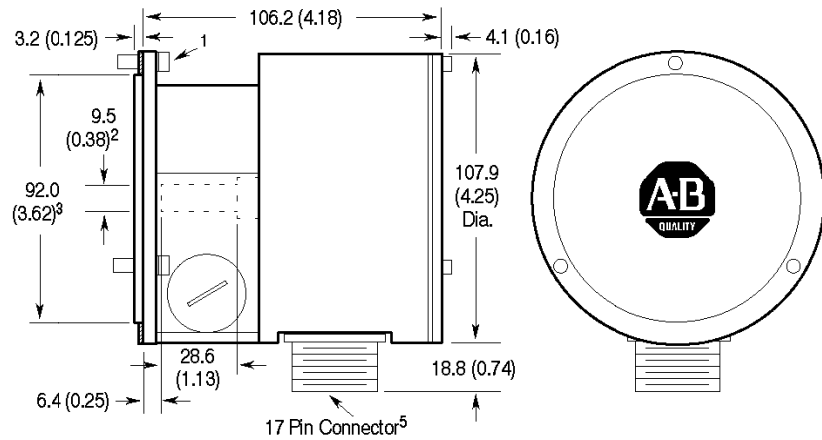
⁴ 1326 commutation and power cables, standard and flex, are available in extended lengths of 150, 200, 250 and 300 feet (45.7, 61.0, 76.2, 91.4 meters) when using a 1391B-ES or 1391-DES drive.

Resolver Feedback Package (1326AB-MOD-Vxxx)

Figure 5 shows the dimensions of the 1326AB Resolver Feedback Package.

- Important: The IP 65 rating of the motor is not maintained when using this option.

Figure 5 Resolver Feedback Package Dimensions



¹5.2 (0.206) dia. hole, 3 places equally spaced on a 101.6 (4.00) dia. Bolt Circle.

²+0.000/-0.0127 (+0.0000/-0.0005) tolerance.

³+0.000/-0.0762 (+0.0000/-0.003) tolerance.

⁴All mounting hardware provided in Resolver Feedback Mounting Kit.

⁵Cannon female connector CA3102R20-29P or equivalent mounted on the package.

Cannon male mating connector CA3106F-20-295-A95 or equivalent.

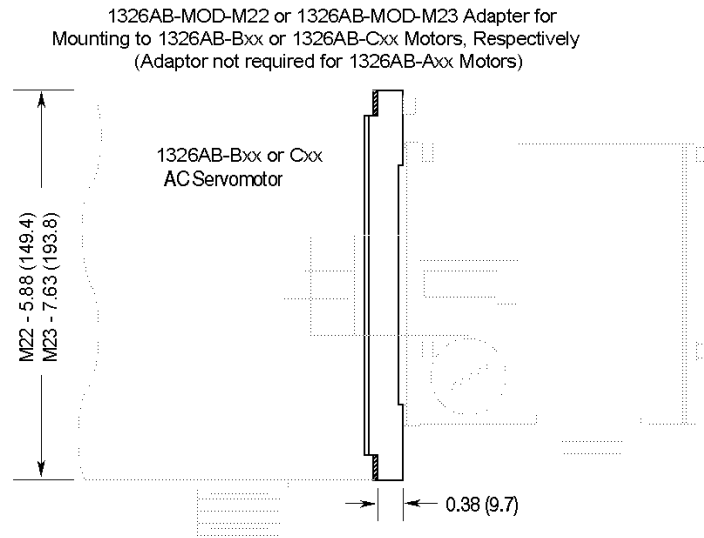
⁶Refer to the 1326AB Resolver Feedback Package Product Data for additional information.

Resolver Feedback Mounting Adapter Kit (1326AB-MOD-Mx)

The Resolver Feedback Mounting Kit provides a means of mounting the 1326AB Resolver to B and C series motors. An adapter is not needed for A series motors. Refer to Figure 6 for dimension information.

- Important: The IP 65 rating of the motor is not maintained when using this option.

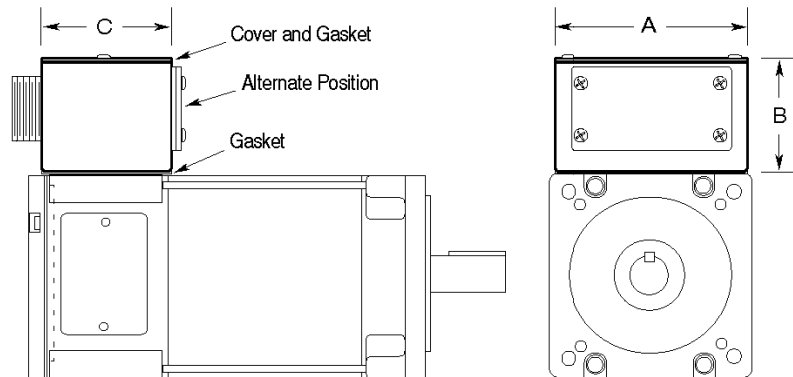
Figure 6 1326AB Resolver Mounting Kit Dimensions



Motor Junction Box Kit (1326AB-MOD-RJxx)

The Motor Junction Box Kit provides axially mounted connectors or integral terminal blocks for motor connections. The connector version allows the motor connectors to be brought out axially to the motor without further wiring. The terminal block version provides two terminal blocks for user wiring. The IP65 rating of the motor is maintained when using this junction box. Dimensions for the junction box are shown in the following figure.

Figure 7 Motor Junction Box Dimensions



Dimension	with Connectors	with Terminal Blocks
A	4.13 (105.0)	4.38 (111.3)
B	2.44 (62.0)	2.18 (55.4)
C	2.50 (190.5)	5.00 (127.0)

Blower Kits (1326AB-MOD-G3, G4)

Two blower kits are available for use with 1326AB C Series AC Servomotors. The G3 kit is designed for all C series motors except those with rear mounted encoders. The G4 kit is available for C series motors with rear mounted encoders. Each kit consists of an impedance protected fan (UL recognized, CSA approved), housing, grill guard and necessary hardware.

•Important: The IP 65 rating of the motor is not maintained when using this option.

Specifications

Input Voltage	220/240V AC, 50/60 Hz., single-phase
Line Amperes	0.15 / 0.14
Locked Rotor Amperes	0.23 / 0.23
Fan Output	240 CFM
Air Inlet Clearance	6 inches (152.4 mm)
Weight	4 lbs. (1.81 kg)

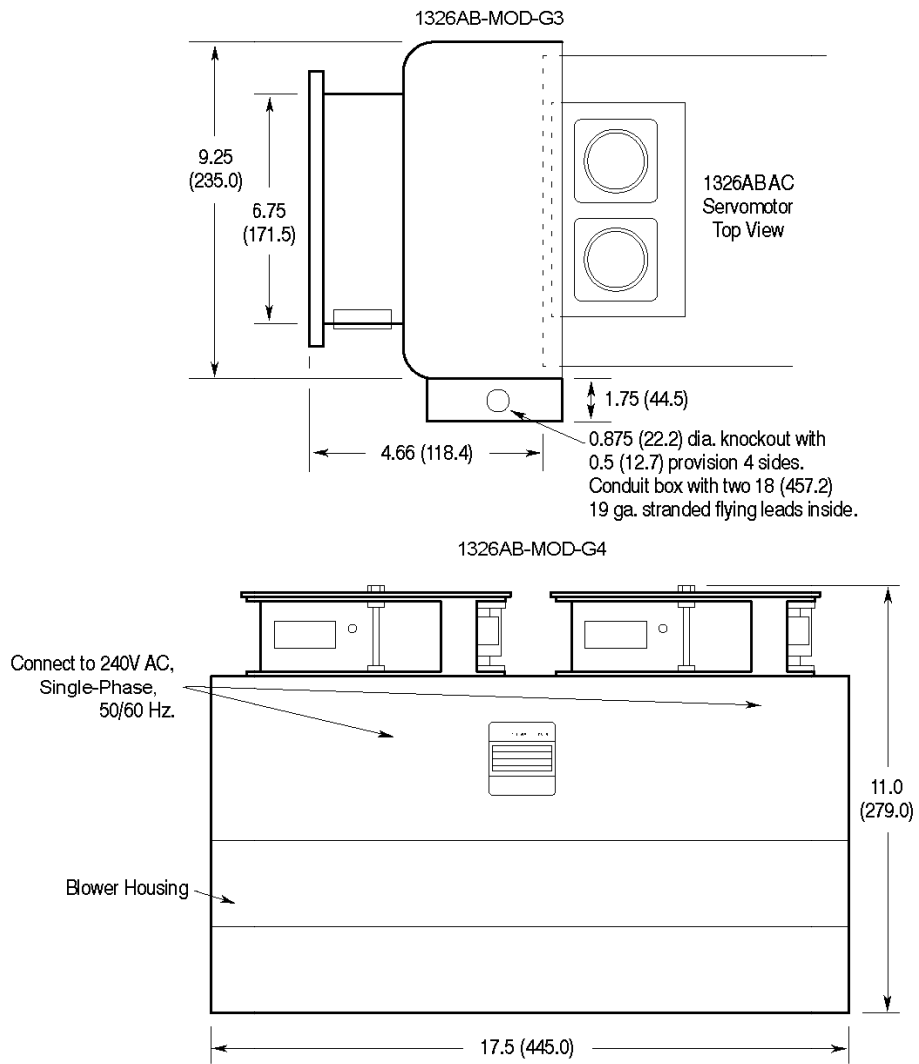
The following table illustrates the operational improvements realized when the blower kit is installed on the motors shown. Refer to Figure 8 for dimensions.

Table A Performance Improvements with the Blower Kit

Motor Catalog Number	Motor without Blower		Motor with Blower	
	RMS Cont. Torque ¹ <i>lb.-in. (N-m)</i>	Continuous Amperes A	RMS Cont. Torque ¹ <i>lb.-in. (N-m)</i>	Continuous Amperes ² A
1326AB-C2E	210 (23.7)	33.2	285 (32.2)	45.0
1326AB-C4B	420 (47.5)	38.2	505 (57.1)	45.0

¹ at 40° C ambient.
² Amplifier available current may limit actual torque improvement. Continuous output cannot exceed 45A.

Figure 8 Blower Kit Dimensions



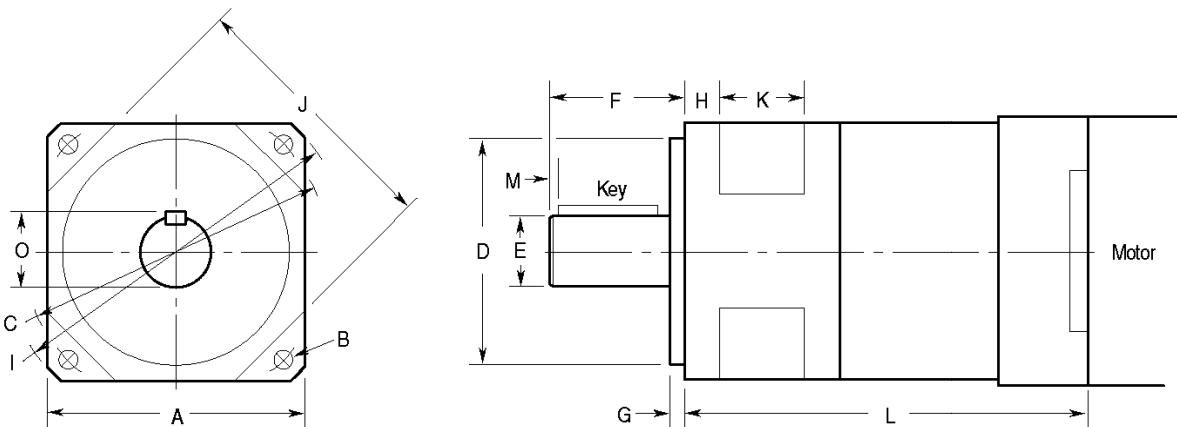
Planetary Gearbox Package

A straight planetary gearbox with right angle and low backlash options is available for field installation on the Torque Plus Series motors. The unique gearbox design combines spur input with planetary output for optimum servo performance. Mounting is simplified through the use of a clamp-on pinion. The gearbox can be used in any orientation.

Catalog Number	1326AB-PGAxx	1326AB-PGBxx	1326AB-PGCxx
Rated Output Torque - lb.-in. (N-m)	1600 (180.8)	4600 (519.8)	8000 (904.0)
Peak Output Torque - lb.-in. (N-m)	2656 (300.1)	7636 (862.9)	15000 (1695.0)
Maximum Rated Input Speed	6000 rpm	4000 rpm	4000 rpm
Maximum Backlash ¹ - arc-minutes	10	10	10
Minimum Efficiency	85%	85%	85%
Torsional Stiffness - lb.-in./min (N-m/min)	140 (15.8)	360 (40.7)	640 (72.3)
Max. Moment of Inertia - lb.-in.-s ² (kg-cm ²)	0.0004375 (0.5147)	0.003125 (3.677)	0.005625 (6.618)
Max. Weight, Straight/Right Angle - lbs. (kg)	16 / 20 (7.3 / 9.1)	26 / 43 (11.8 / 19.5)	65 / 85 (29.5 / 38.6)

¹ Low backlash option, LB is 5 arc-minutes.

Figure 9 1326AB Gearbox Dimensions - Straight



Dimensions are in inches and (millimeters)

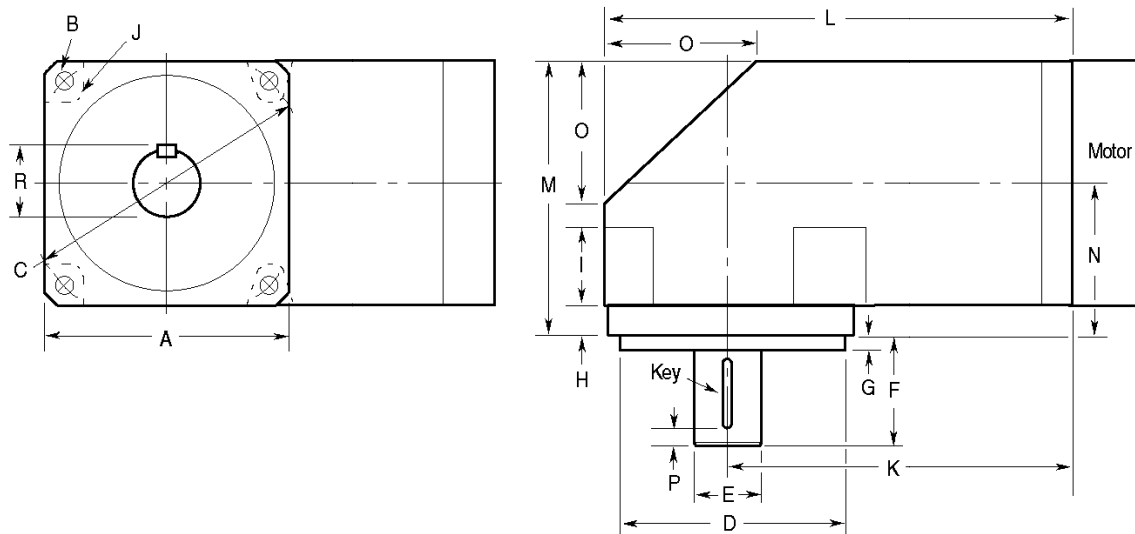
Cat. #	A	B	C	D ¹	E ¹	F	G	H	I	J	K	L ²	M	O	Key
PGA	4.53 (115)	0.335 (8.5)	5.118 (130)	4.33 (110)	0.945 (24)	1.97 (50)	0.138 (3.5)	0.55 (14)	5.71 (145)	4.528 (115)	1.38 (35)	6.11/6.11 (155/155)	0.276 (7)	1.063 (27)	1.260 x 0.315 (32 x 8)
PGB	5.59 (142)	0.438 (11)	6.496 (165)	5.118 (130)	1.575 (40)	3.15 (80)	0.138 (3.5)	0.79 (20)	7.28 (185)	5.512 (140)	2.05 (52)	9.61/8.21 (244/209)	0.315 (8)	1.693 (43)	2.362 x 0.472 (60 x 12)
PGC	7.17 (182)	0.512 (13)	8.465 (215)	6.299 (160)	1.969 (50)	3.74 (95)	0.394 (10)	0.98 (25)	9.61 (244)	7.400 (188)	2.36 (60)	11.24/10.24 (285/260)	0.236 (6)	2.106 (59)	2.756 x 0.551 (70 x 14)

¹ +0.00/-0.03 (+0.000/-0.001)

² "L" dimension will vary for the English (-11)/Metric (-21) style motors due to motor to gearbox adapter.

Note: Motor/gearbox mating hardware (including 4 mounting bolts and clamp-on pinion) included in gearbox kit.

Figure 10 1326AB Gearbox Dimensions - Right Angle



Dimensions are in inches and (millimeters)

Cat. #	A	B	C	D ¹	E ¹	F	G	H	I	J	K ²	L ²	M	N
RP A	4.53 (115)	0.335 (8.5)	5.118 (130)	4.33 (110)	0.945 (24)	1.97 (50)	0.138 (3.5)	0.55 (14)	1.38 (35)	0.31 (8)	6.11/6.11 (155/155)	8.35/8.35 (212/212)	5.08 (129)	2.83 (72)
RPB	5.59 (142)	0.433 (11)	6.496 (165)	5.12 (130)	1.575 (40)	3.15 (80)	0.138 (3.5)	0.79 (20)	2.05 (52)	0.39 (10)	9.17/7.77 (233/197)	11.97/10.57 (304/268)	6.38 (162)	3.58 (91)
RPC	7.17 (182)	0.512 (13)	8.465 (215)	6.30 (160)	1.969 (50)	3.74 (95)	0.394 (10)	0.98 (25)	2.36 (60)	0.51 (13)	10.89/9.89 (277/251)	14.47/13.47 (368/342)	8.15 (207)	4.57 (116)

Cat. #	O	P	R	Key
RP A	2.76 (70)	0.276 (7)	1.06 (27.0)	1.260 x 0.315 (32 x 8)
RPB	3.31 (84)	0.315 (8)	1.69 (43.0)	2.362 x 0.472 (60 x 12)
RPC	4.49 (114)	0.236 (6)	2.11 (53.5)	2.750 x 0.551 (70 x 14)

¹ +0.00/-0.03 (+0.000/-0.001)

² "K" and "L" dimensions will vary for the English (-11)/Metric (-21) style motors due to motor to gearbox adapter.

Note: Motor/gearbox mating hardware (including 4 mounting bolts and clamp-on pinion) included in gearbox kit.