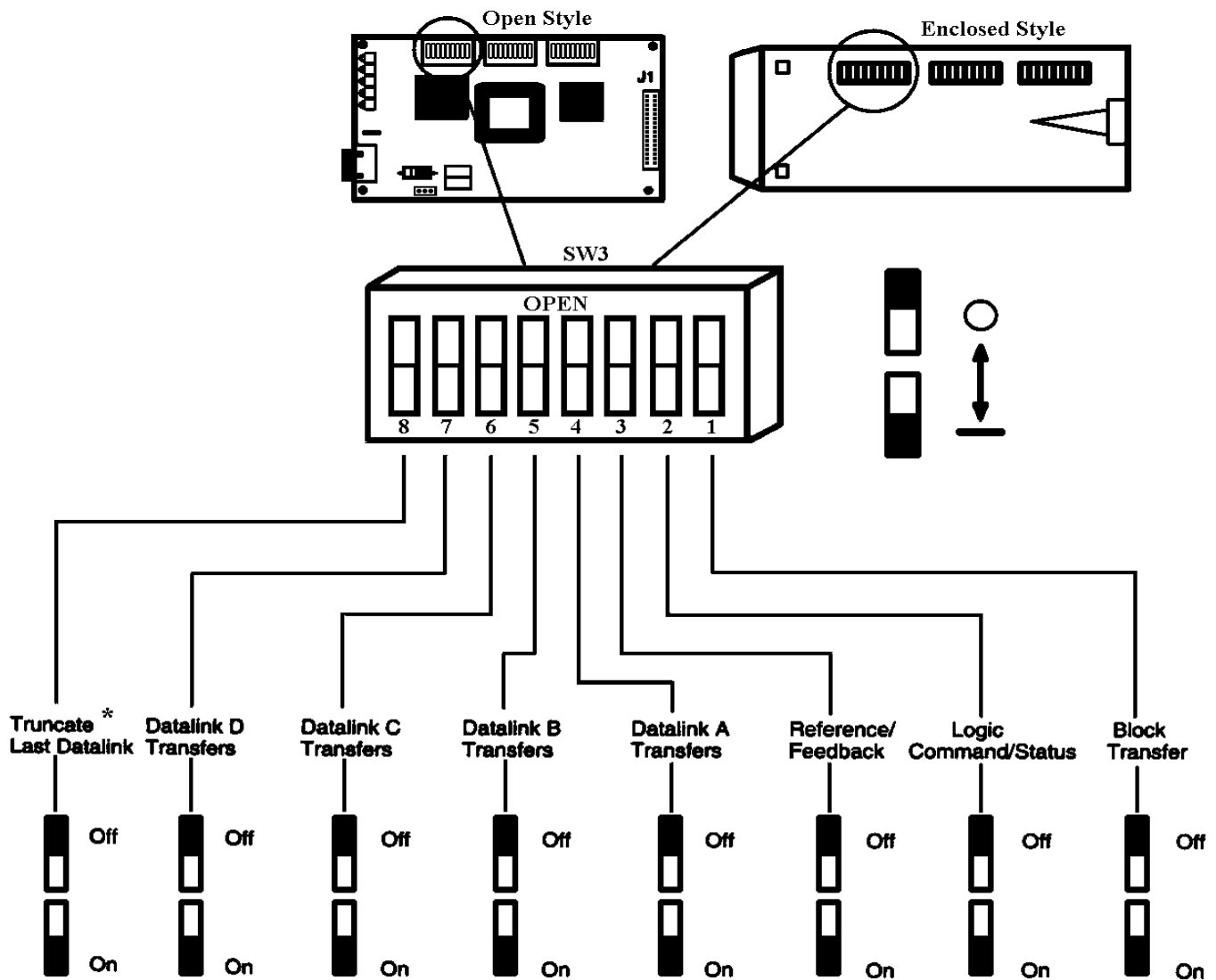


## 1336 PLUS Switch Settings

**Switch SW3** – Switch SW3 should be set first. The settings on this switch determine how data contained in the programmable controller I/O image table is used by the SCANbus device. It also establishes the minimum rack size that this communications module requires.

**NOTE:** The switches are labelled in the same orientation as they appear on the board.

**Figure 1**  
**Configuration Switch SW3 Settings**

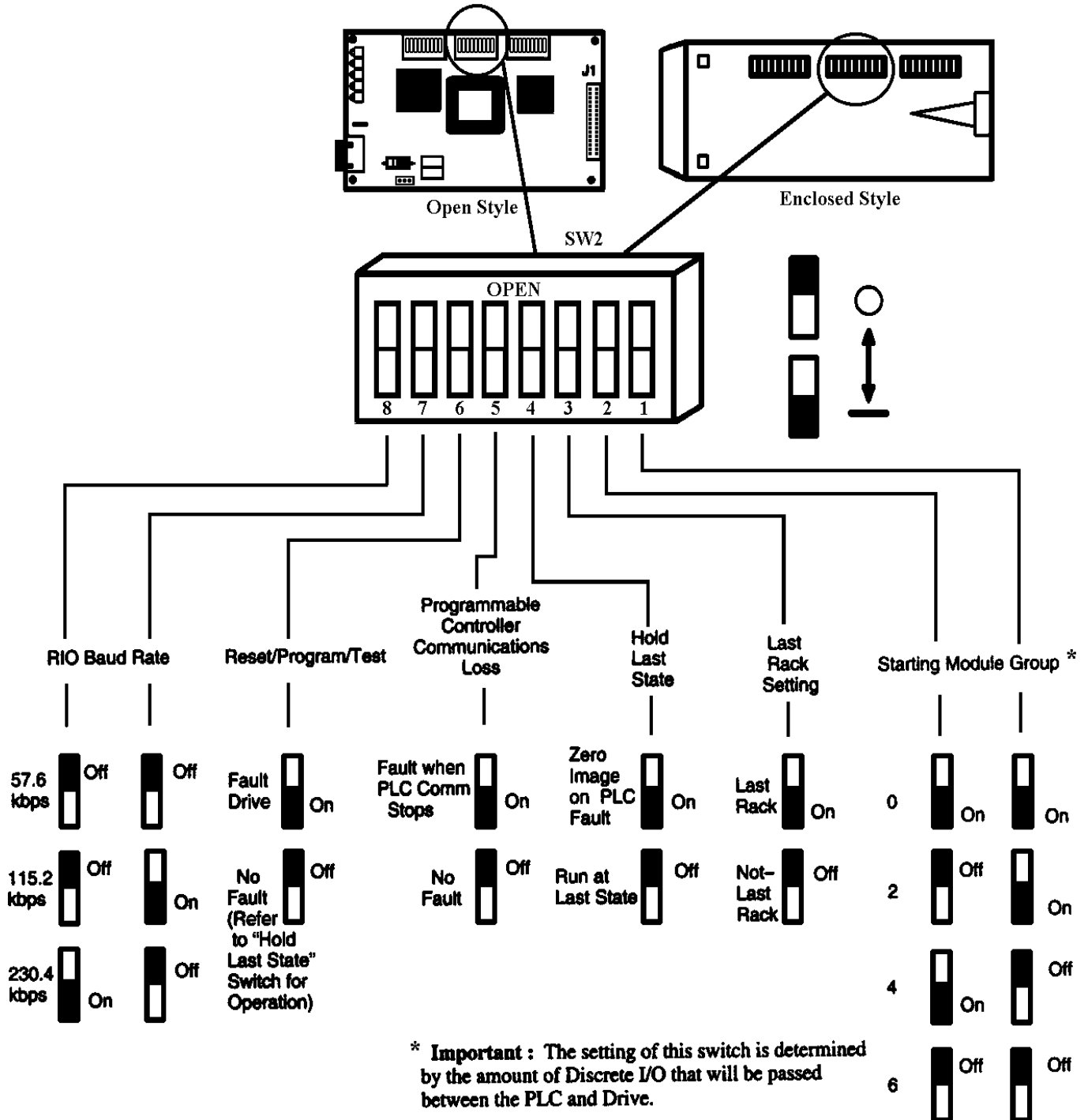


\* **IMPORTANT:** Only available on communications modules with version 1.02 or later firmware.

**Switch SW2** – Switch SW2 determines Rack Size, Last State, Rack Fault and Bit Rate Selections as shown in Figure 2

**NOTE:** The switches are labeled in the same orientation as they appear on the board.

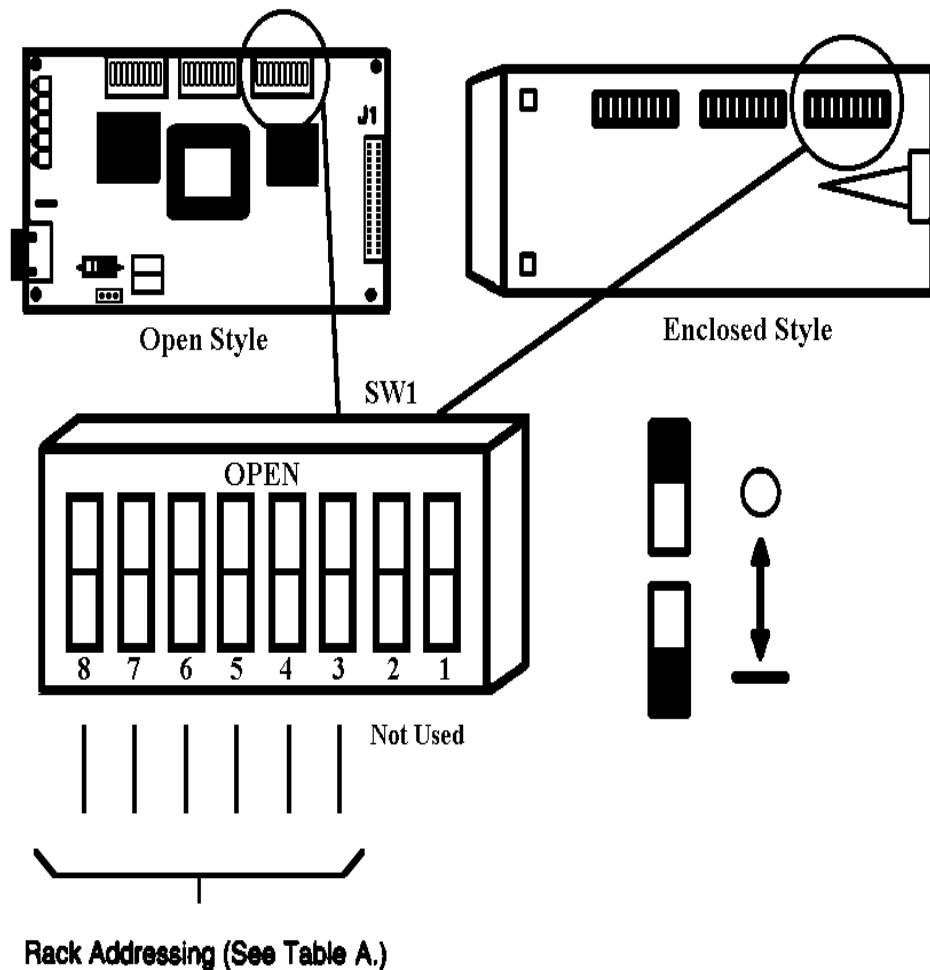
**Figure 2**  
**Configuration Switch SW2 Settings**



**Switch SW1** - Switch SW1 controls starting quarter and rack address options as shown in Figure 3

**NOTE:** When using a PLC-2 family processor it is necessary to offset the value of the rack number by one. The PLC-2 cannot have a remote I/O rack numbered zero. Therefore, add a value of one to the "Rack No" value in Table A when writing your PLC code.

**Figure 3**  
**Configuration Switch SW1 Settings**



**Table A - Switch SW1 Settings  
SW1 - 8 thru SW1 - 1 Dip Switch Definitions, Rack Address**

<b>Rack No.</b>	<b>SW1-8</b>	<b>SW1-7</b>	<b>SW1-6</b>	<b>SW1-5</b>	<b>SW1-4</b>	<b>SW1-3</b>	<b>SW1-2</b>	<b>SW1-1</b>
00	On	On	On	On	On	On		NOT USED
01	Off	On	On	On	On	On		NOT USED
02	On	Off	On	On	On	On		NOT USED
03	Off	Off	On	On	On	On		NOT USED
04	On	On	Off	On	On	On		NOT USED
05	Off	On	Off	On	On	On		NOT USED
06	On	Off	Off	On	On	On		NOT USED
07	Off	Off	Off	On	On	On		NOT USED
10	On	On	On	Off	On	On		NOT USED
11	Off	On	On	Off	On	On		NOT USED
12	On	Off	On	Off	On	On		NOT USED
13	Off	Off	On	Off	On	On		NOT USED
14	On	On	Off	Off	On	On		NOT USED
15	Off	On	Off	Off	On	On		NOT USED
16	On	Off	Off	Off	On	On		NOT USED
17	Off	Off	Off	Off	On	On		NOT USED
20	On	On	On	On	Off	On		NOT USED
21	Off	On	On	On	Off	On		NOT USED
22	On	Off	On	On	Off	On		NOT USED
23	Off	Off	On	On	Off	On		NOT USED
24	On	On	Off	On	Off	On		NOT USED
25	Off	On	Off	On	Off	On		NOT USED
26	On	Off	Off	On	Off	On		NOT USED
27	Off	Off	Off	On	Off	On		NOT USED
30	On	On	On	Off	Off	On		NOT USED
31	Off	On	On	Off	Off	On		NOT USED
32	ON	Off	On	Off	Off	On		NOT USED
33	Off	Off	On	Off	Off	On		NOT USED
34	ON	On	Off	Off	Off	On		NOT USED
35	Off	On	Off	Off	Off	On		NOT USED
36	On	Off	Off	Off	Off	On		NOT USED
37	Off	Off	Off	Off	Off	On		NOT USED