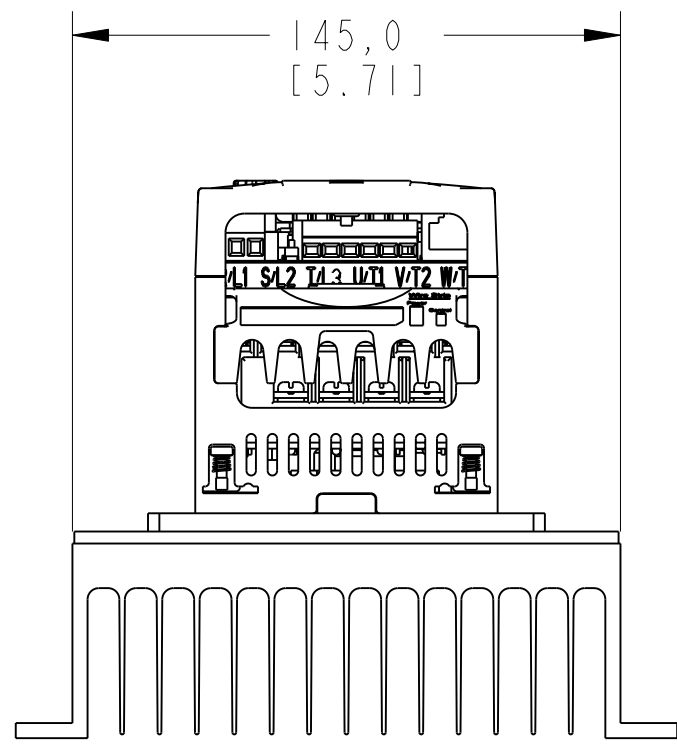
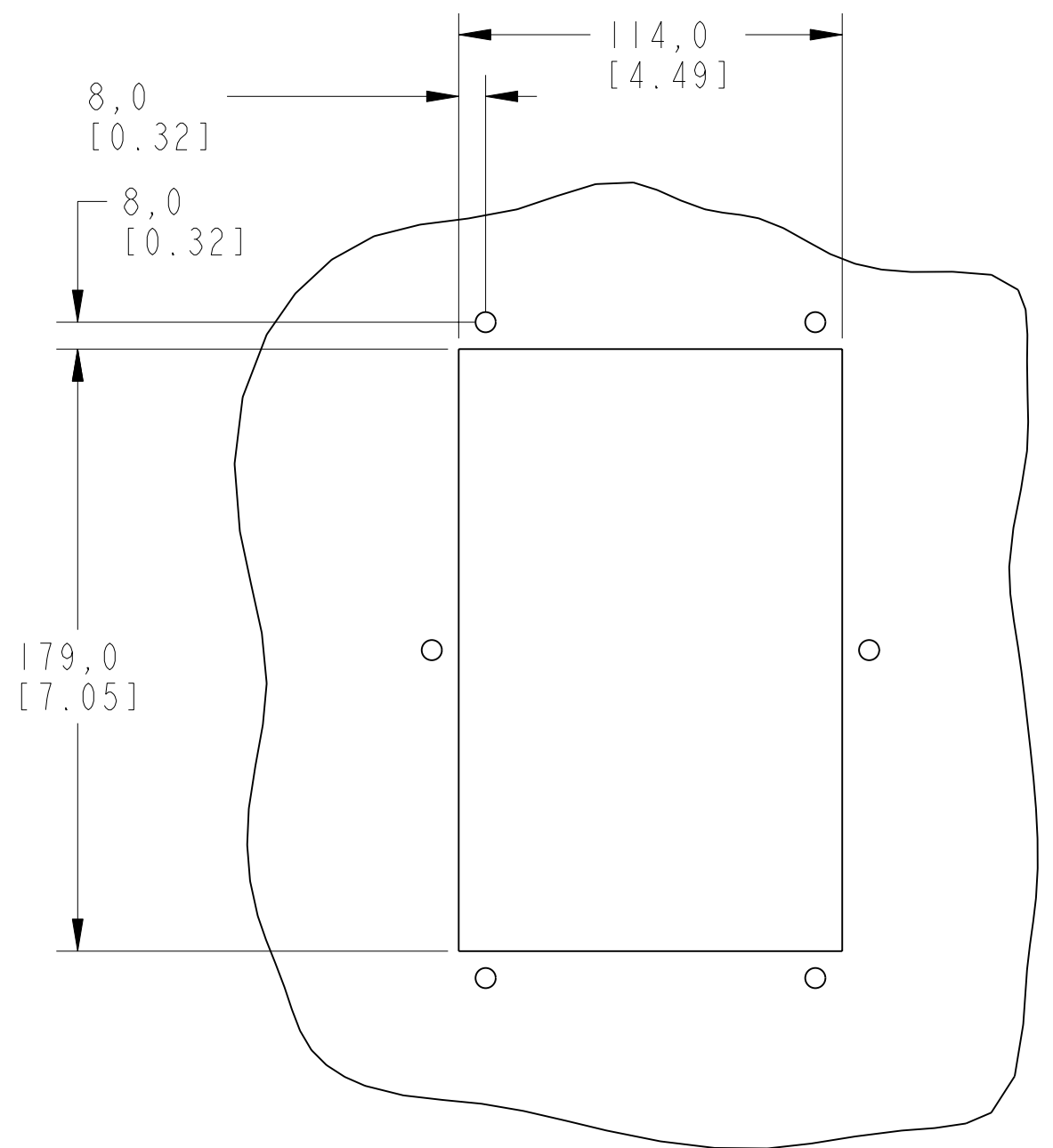
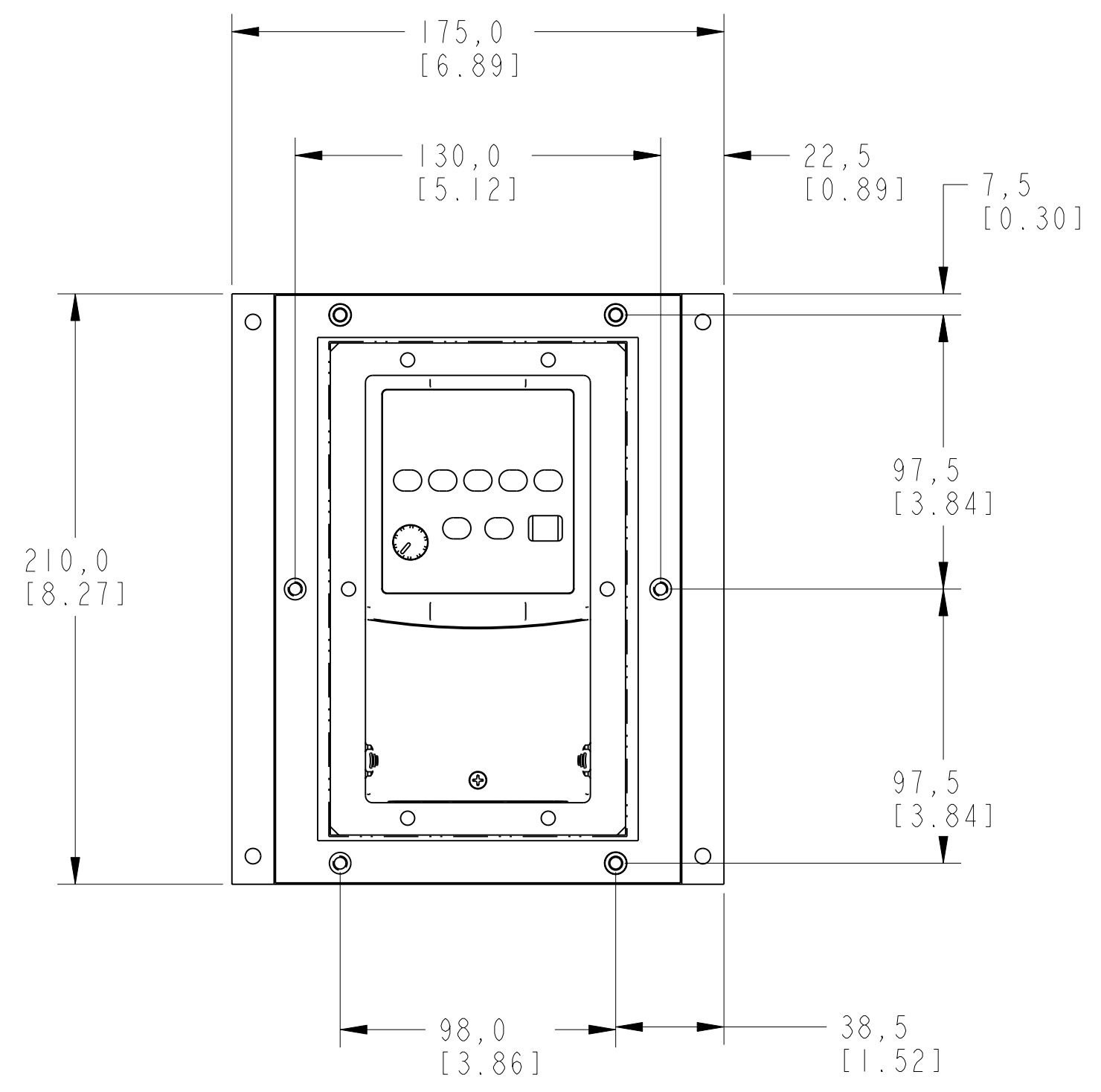
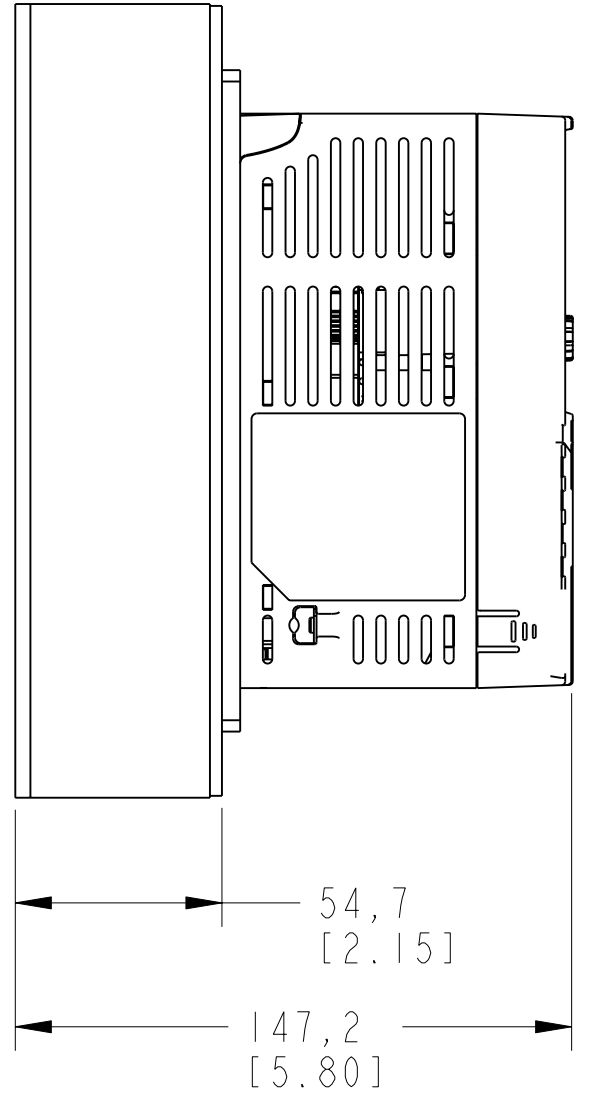


1 2 3 4 5 6 7 8

A
B
C
D
E
F
G
H



PARTS MUST CONFORM TO APPLICABLE ROCKWELL AUTOMATION MANUFACTURING STANDARDS
CAD DOCUMENT
FILE NAME PF4_40_AFRM_OUTLINE

REFERENCES		FLANGE MOUNT ASSEMBLY PF 4, 0.5 - 3 HP.		THIS DRAWING IS THE PROPERTY OF ROCKWELL AUTOMATION, INC. OR ITS SUBSIDIARIES AND MAY NOT BE COPIED, USED OR DISCLOSED FOR ANY PURPOSE EXCEPT AS AUTHORIZED IN WRITING BY ROCKWELL AUTOMATION, INC.	
REVISION	DIMENSIONS APPLY BEFORE SURFACE TREATMENT	Rockwell Automation		DR. SHERBINOW DATE 09-10-04	
AUTHORIZATION	DIMENSIONS IN MILLIMETERS			DATE	
	TOLERANCES UNLESS OTHERWISE SPECIFIED	APPD.		SHEET 1 OF 1	
	.X:± N/A	DATE		DWG SIZE C	
	.XX:± N/A	DATE		PF4.AFRAME.OUTLINE	
	ANGLES:±	DATE			
	SCALE 0.5	DATE			