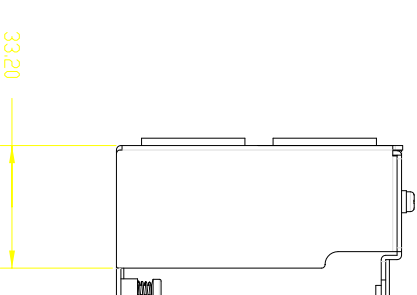
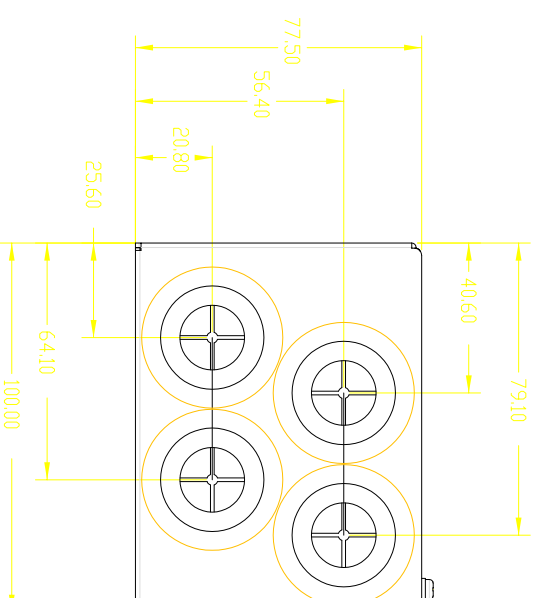
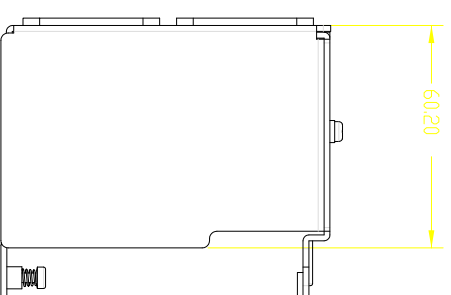
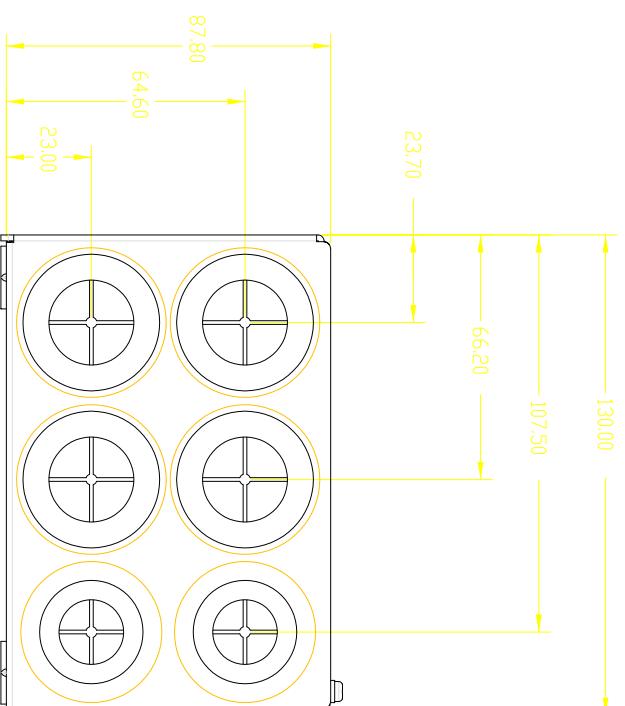


PF4 A-FRAME CONDUIT BOX



PF4/40 B-FRAME CONDUIT BOX



PF40 C-FRAME CONDUIT BOX

FILE	PF4_40_COND_BOX
CAD DOCUMENT	
PARTS MUST CONFORM TO APPLICABLE ROCKWELL AUTOMATION MANUFACTURING STANDARDS	

REFERENCES		PF 4 / 40 CONDUIT BOX DIMENSIONS		SHEET	
REVISION AUTHORIZATION	INDICATING WHY FRAME SERVICE INQUIRY REQUESTS IN INQUIRIES	A, B, AND C FRAME		1	OF 1
	TRACES UNLESS OTHERWISE SPECIFIED				
	XXX#				
	ANGLES#	DR. SHERBINDU	DATE 04-28-05		
		CHKD.	DATE		
		APPD.	DATE		
		THIS DRAWING IS THE PROPERTY OF ROCKWELL AUTOMATION, INC. OR ITS SUBSIDIARIES AND MAY NOT BE USED OR REPRODUCED IN ANY MANNER EXCEPT AS AUTHORIZED IN WRITING BY ROCKWELL AUTOMATION, INC.		SHEET 1 OF 1	
		Rockwell Automation		SIZE PF4_40_COND	