

1

2

3

4

5

6

7

8

A

B

C

D

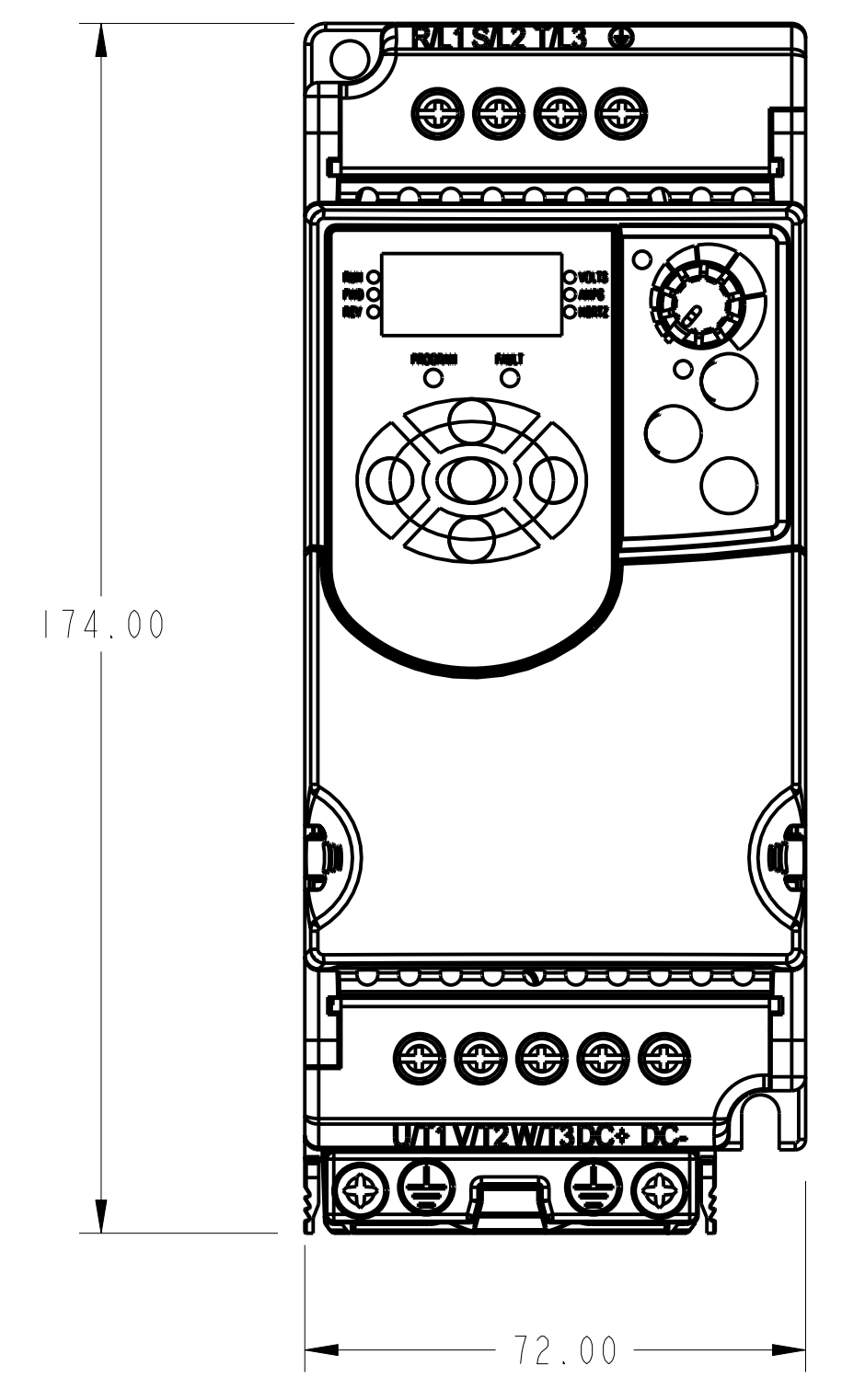
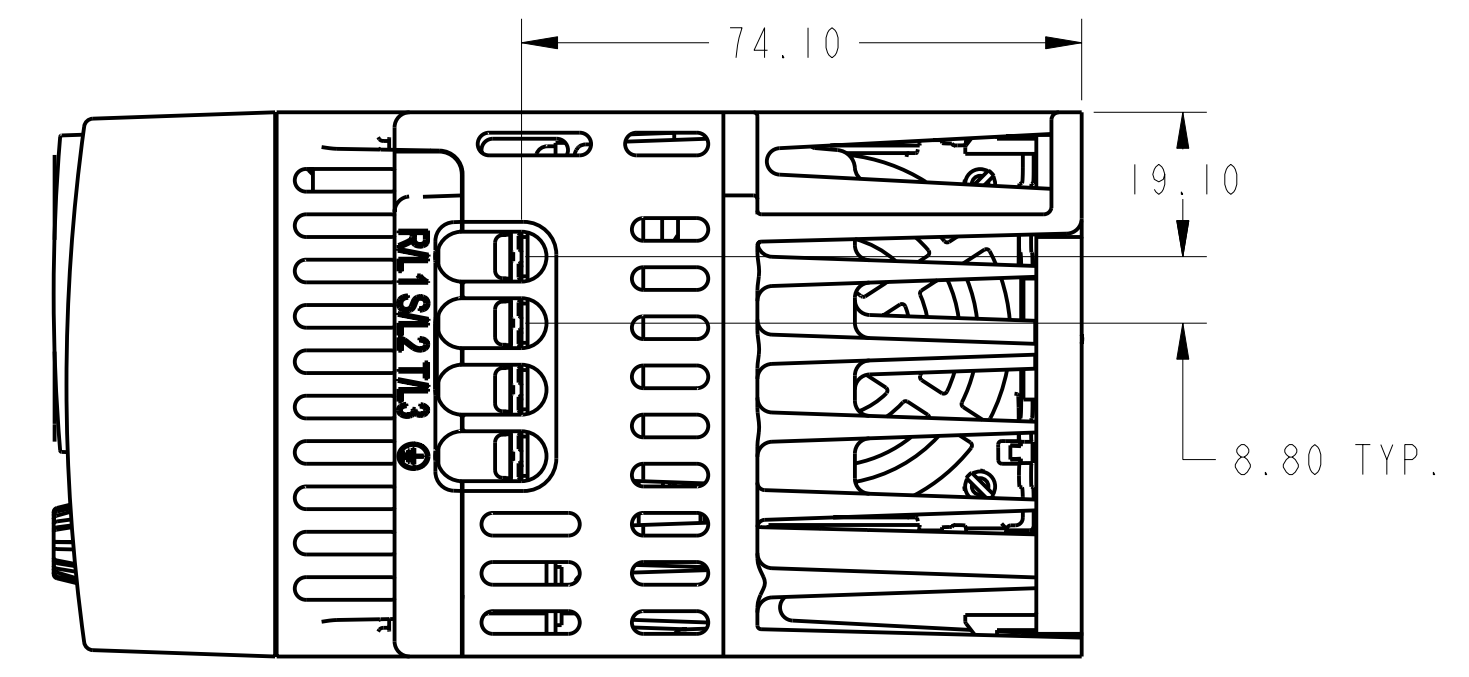
E

F

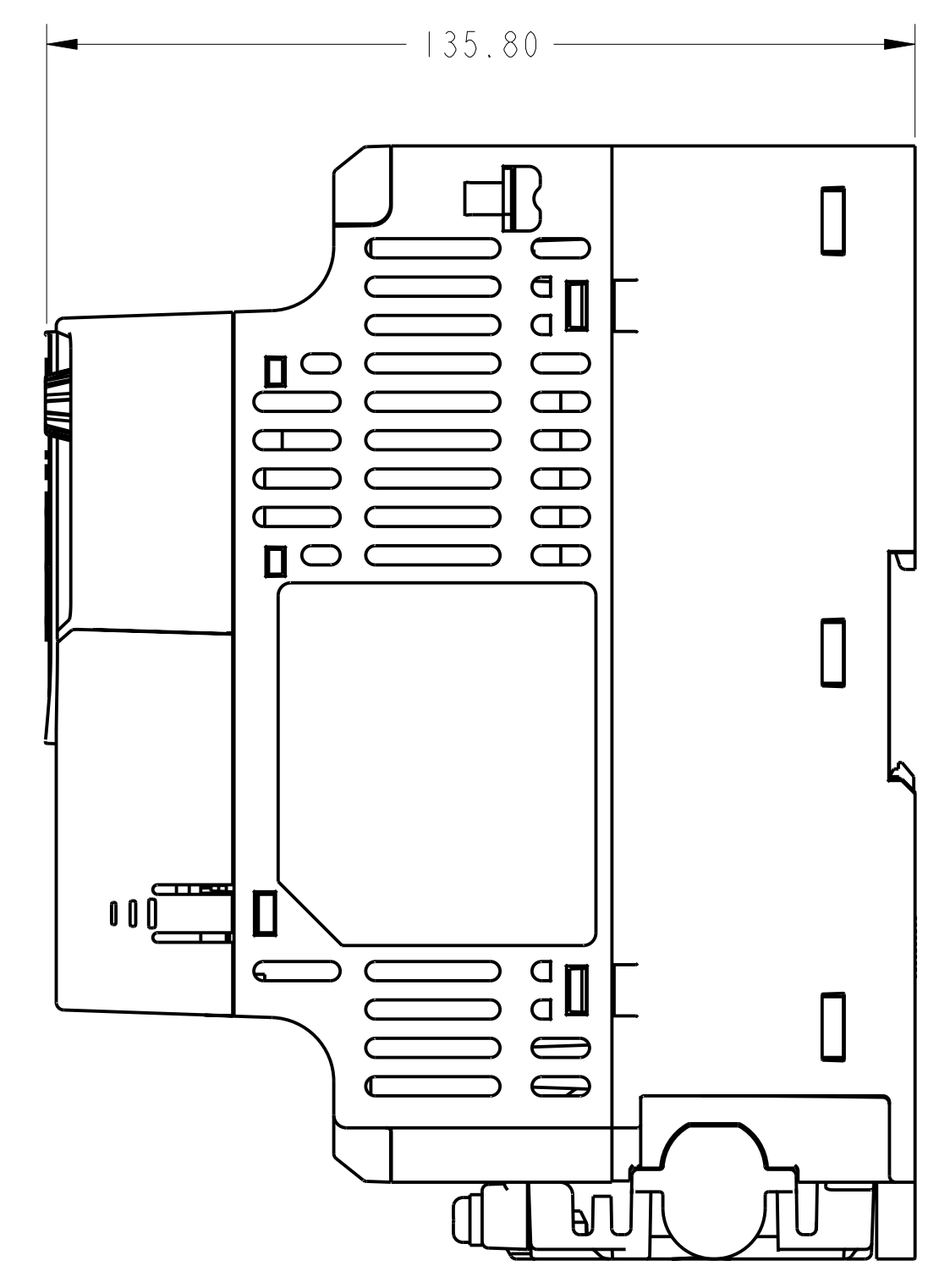
G

H

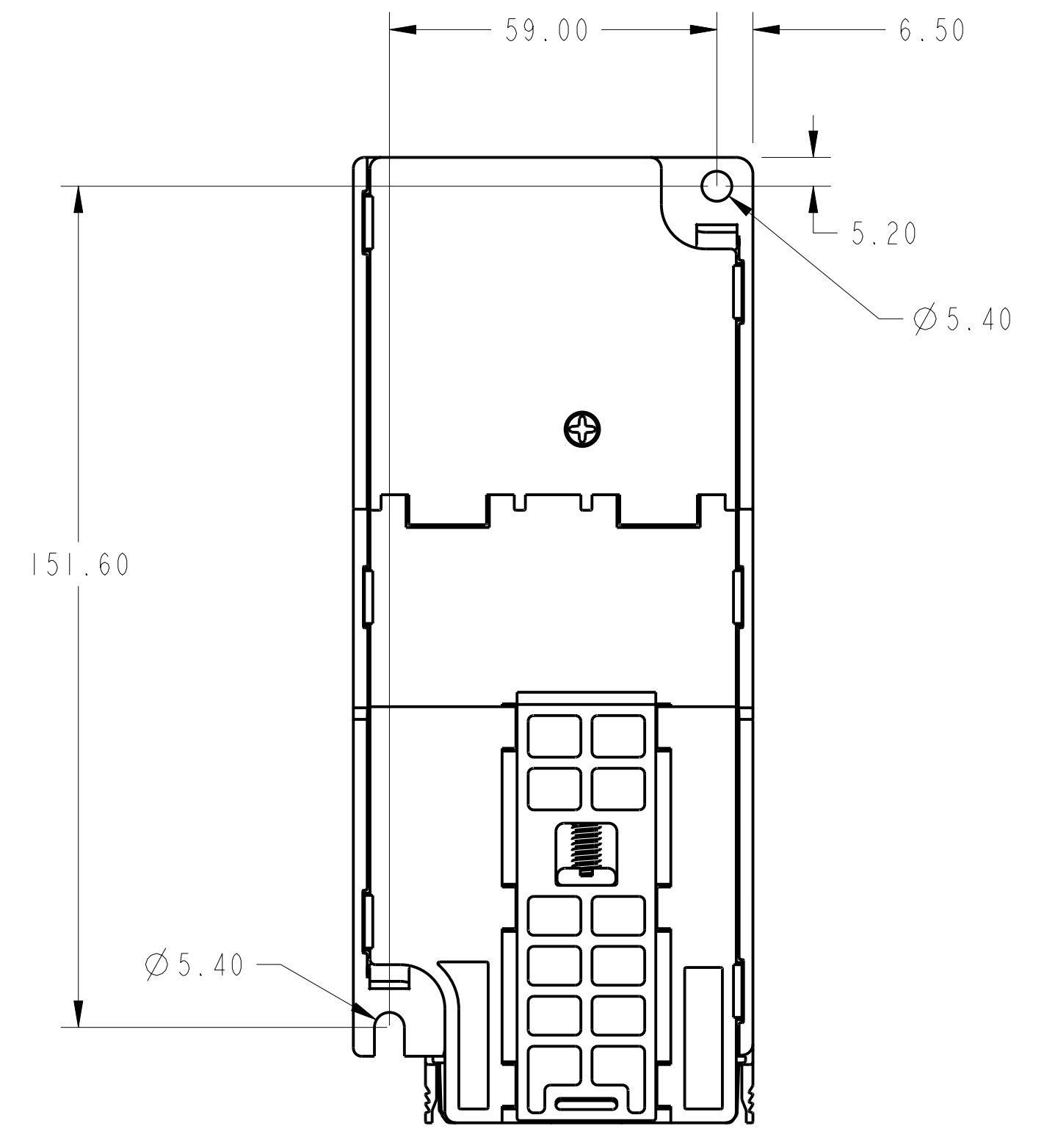
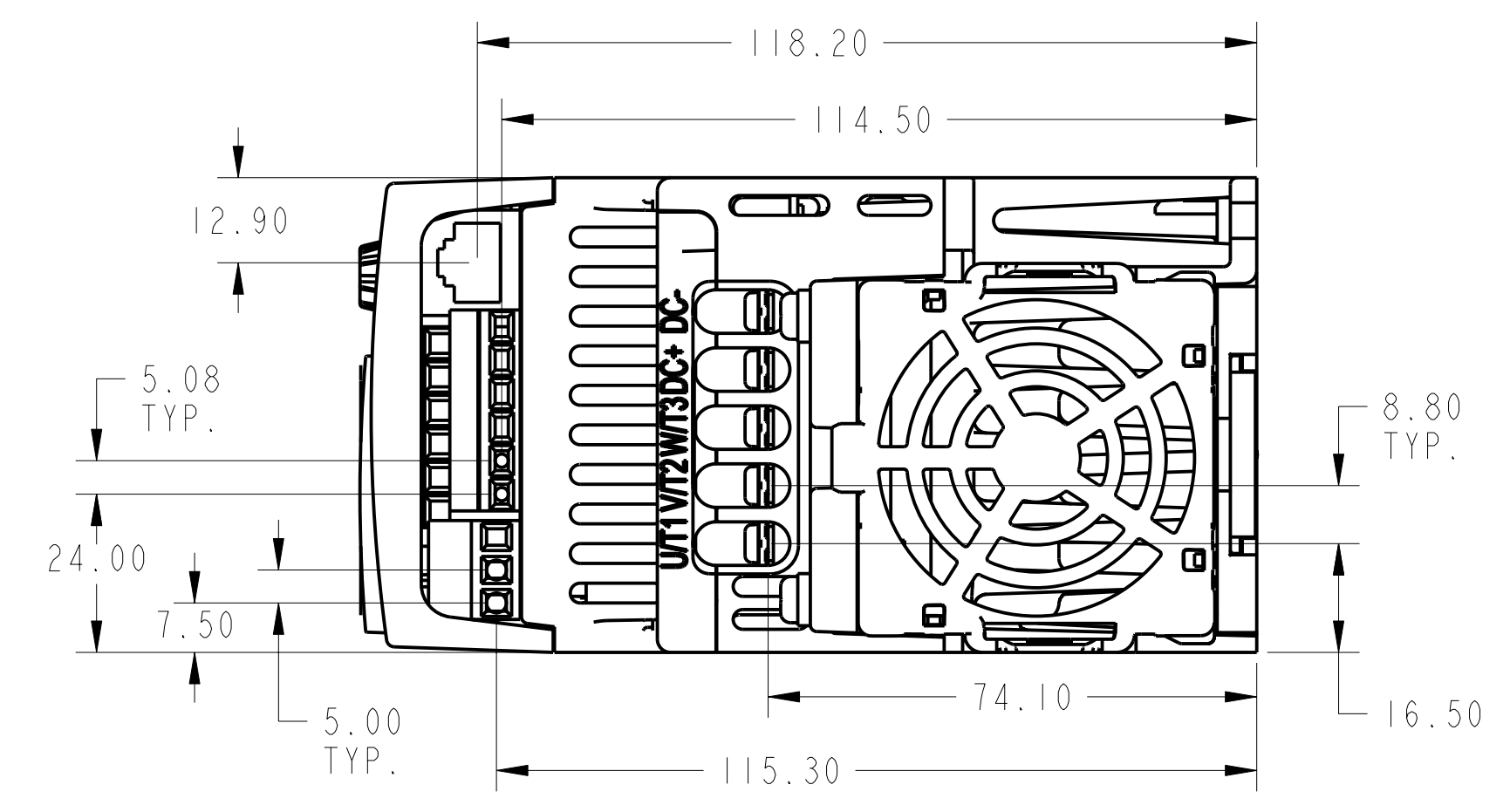
BACK VIEW



TOP VIEW



FRONT VIEW



BOTTOM VIEW

PARTS MUST CONFORM TO APPLICABLE ROCKWELL AUTOMATION MANUFACTURING STANDARDS

CAD DOCUMENT

FILE NAME PF4M_A_OUTLINE

REFERENCES		PF4M, FRAME A, OUTLINE DRAWING		CONFIDENTIAL AND PROPRIETARY INFORMATION THIS DOCUMENT CONTAINS CONFIDENTIAL AND PROPRIETARY INFORMATION OF ROCKWELL AUTOMATION, INC. AND MAY NOT BE USED, COPIED OR DISCLOSED TO OTHERS, EXCEPT WITH THE AUTHORIZED WRITTEN PERMISSION OF ROCKWELL AUTOMATION, INC.					
REVISION AUTHORIZATION	DIMENSIONS APPLY BEFORE SURFACE TREATMENT DIMENSIONS IN MILLIMETERS								
	TOLERANCES UNLESS OTHERWISE SPECIFIED								
	.X:±	DR.	CDS	DATE	03-09-07	SHEET	1	OF	1
	.XX:±	CHKD.		DATE		DWG.			
	ANGLES:±	APPD.		DATE		SIZE			
01	03/09/07					D	PF4M A OUTLINE		