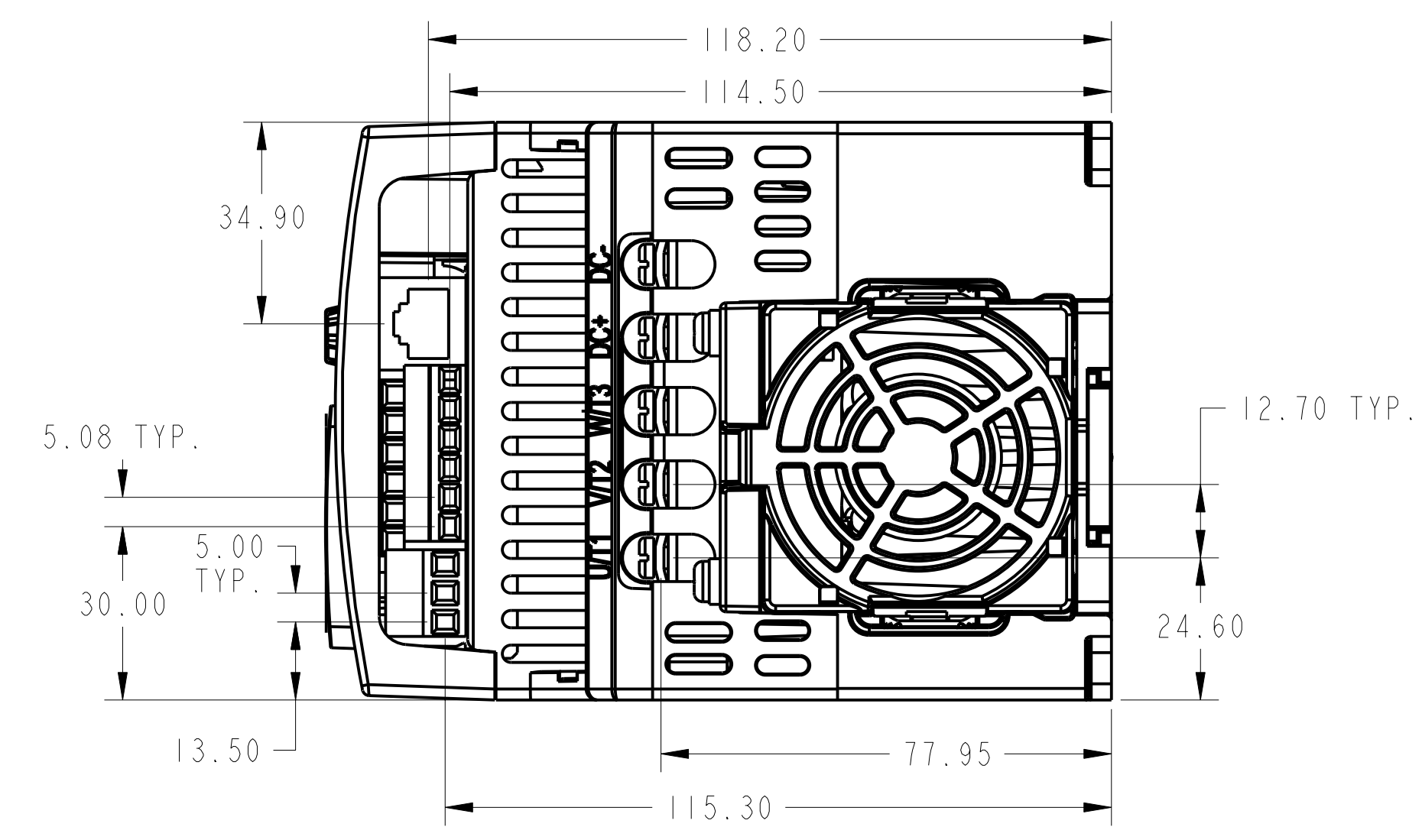
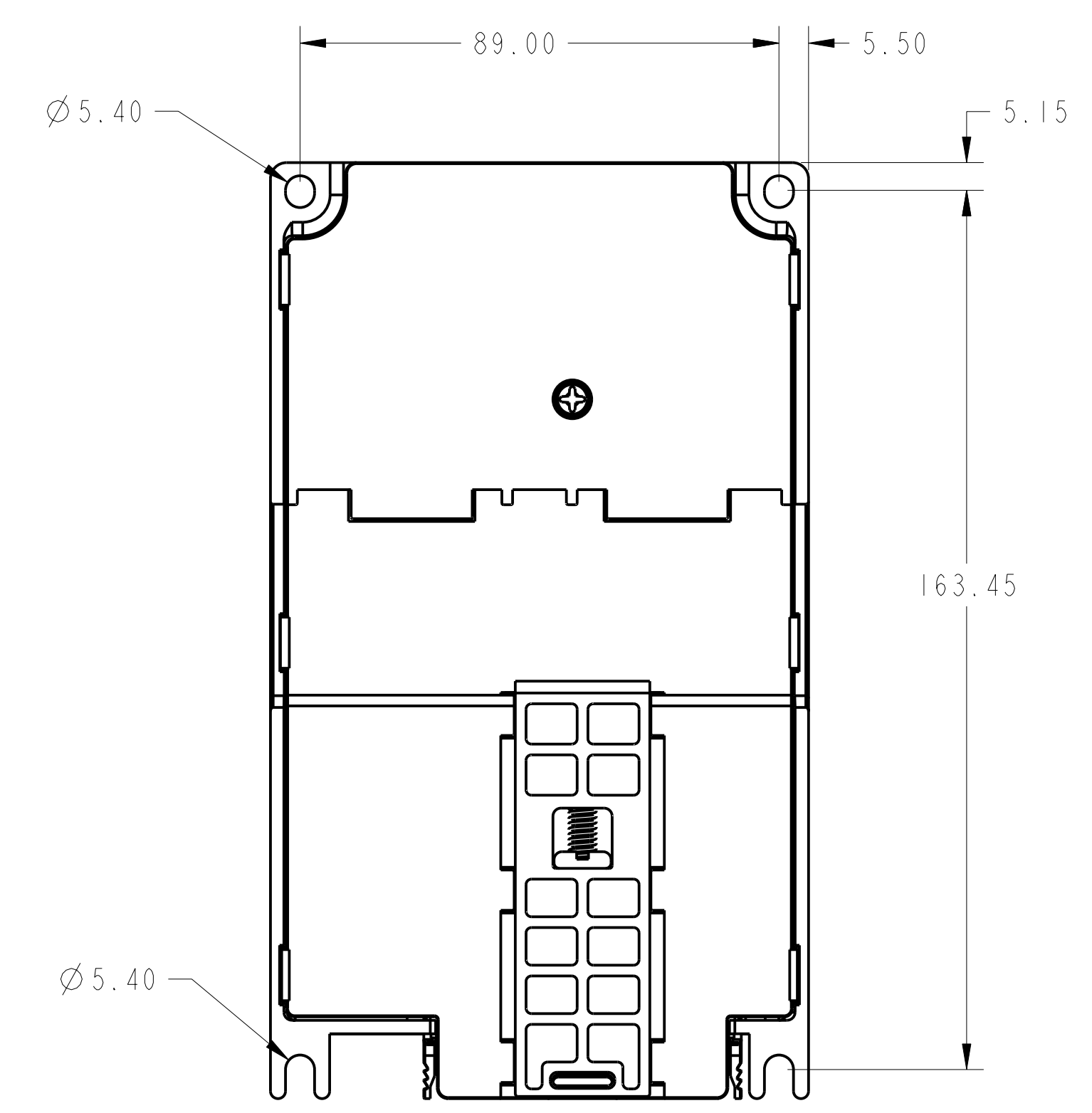
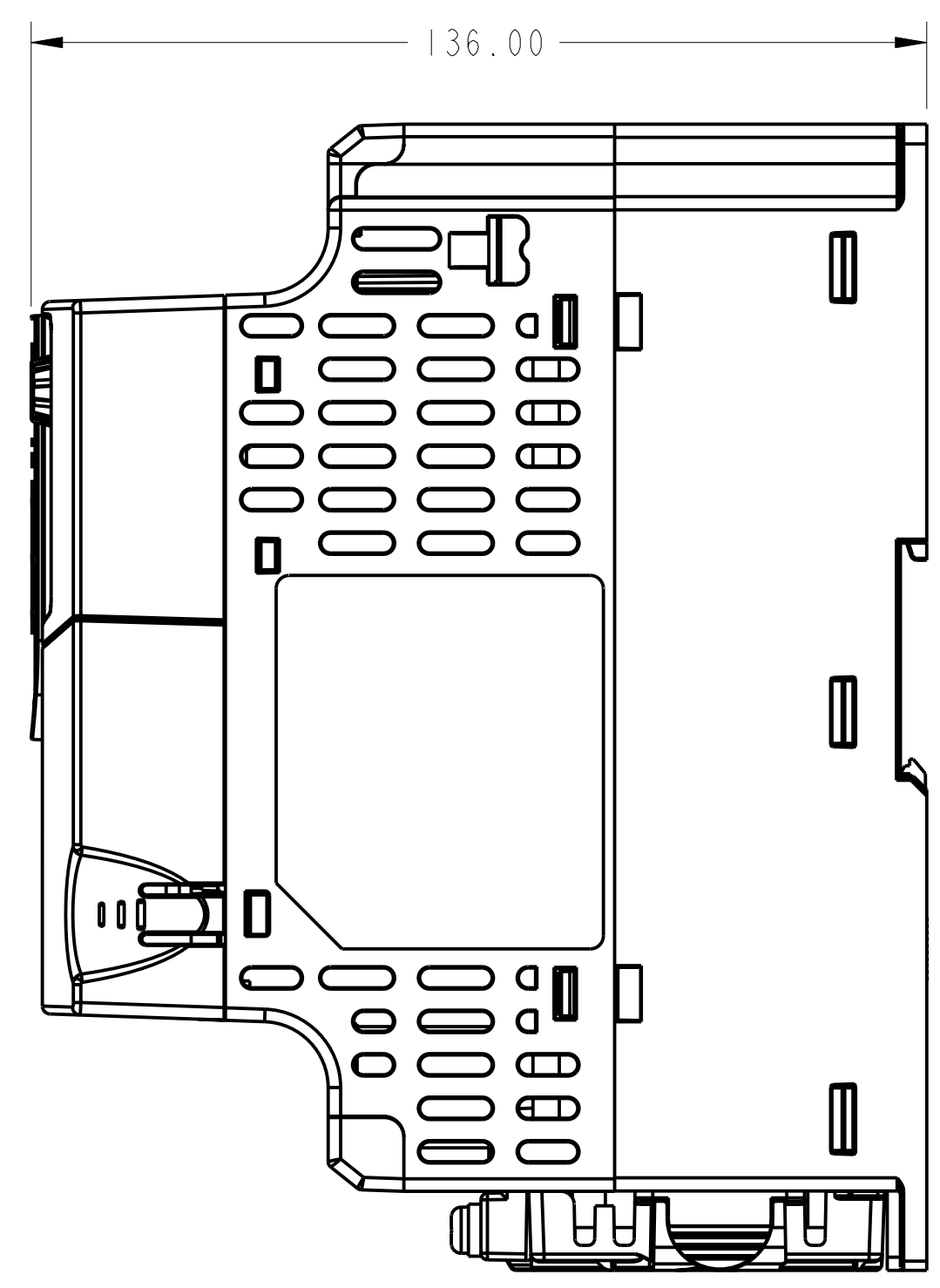
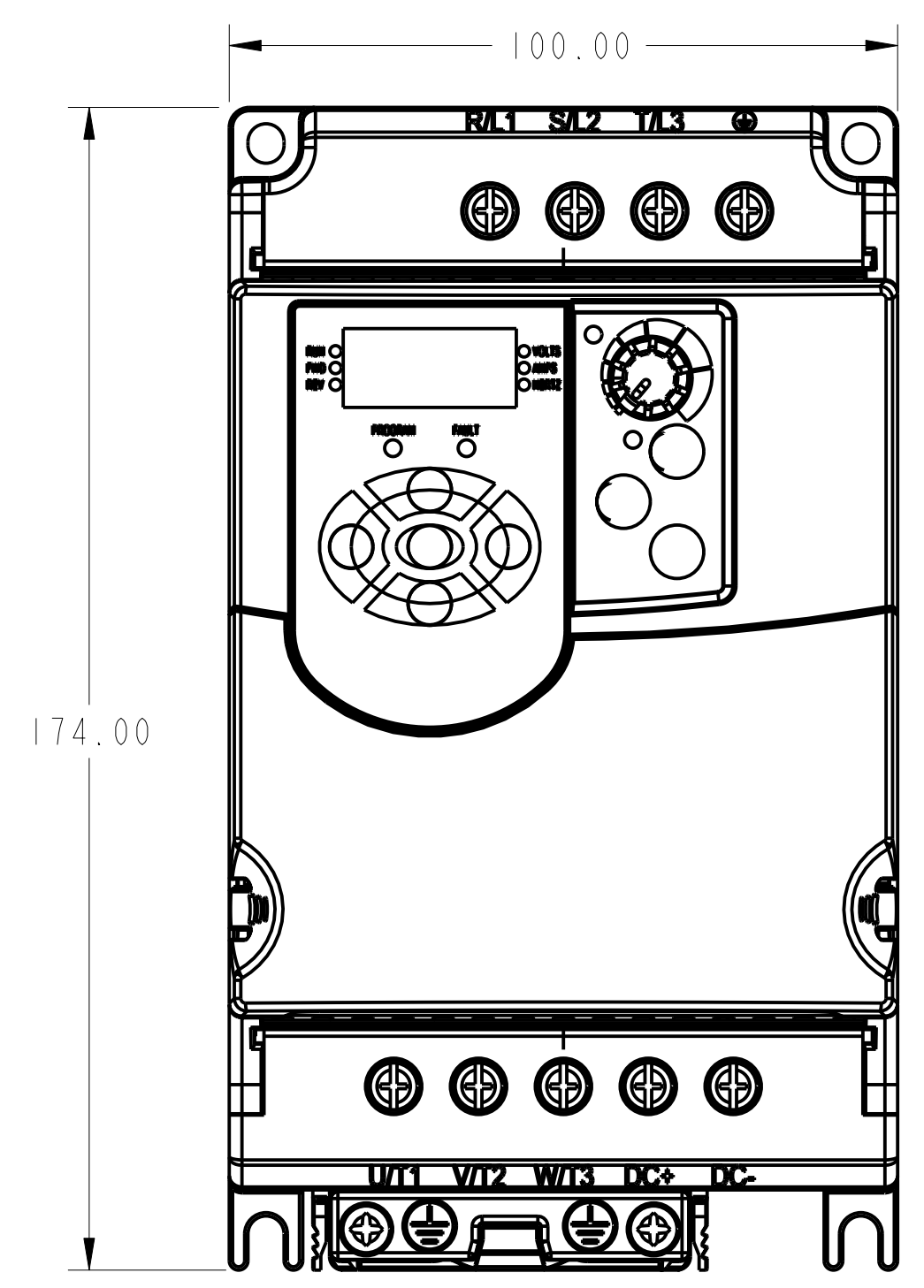
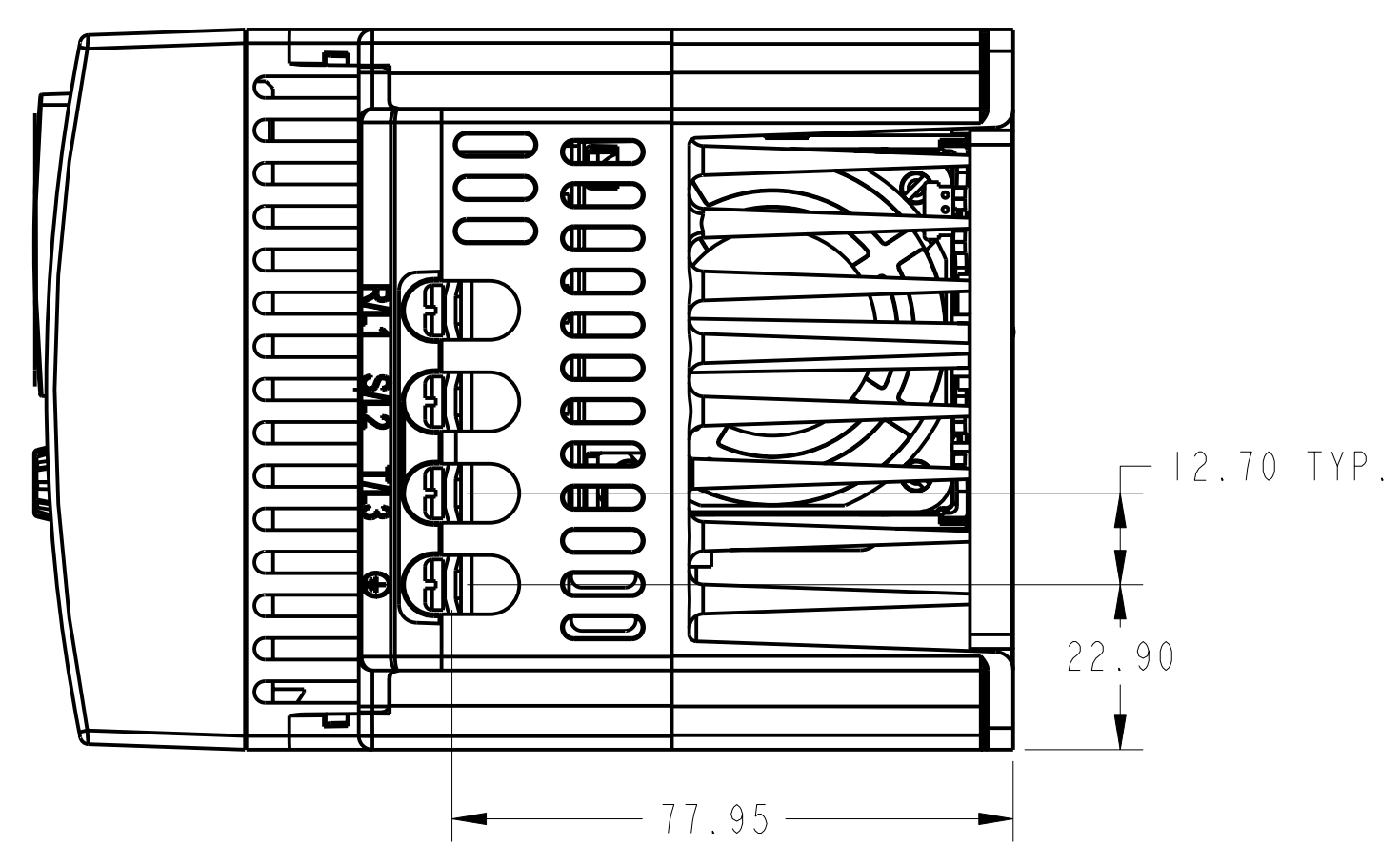


1 2 3 4 5 6 7 8

A  
B  
C  
D  
E  
F  
G  
H



PARTS MUST CONFORM TO APPLICABLE ROCKWELL AUTOMATION MANUFACTURING STANDARDS  
CAD DOCUMENT  
FILE NAME PF4M\_B\_OUTLINE

REFERENCES		PF4M B OUTLINE DRAWING		CONFIDENTIAL AND PROPRIETARY INFORMATION					
REVISION AUTHORIZATION	DIMENSIONS APPLY BEFORE SURFACE TREATMENT DIMENSIONS IN MILLIMETERS			THIS DOCUMENT CONTAINS CONFIDENTIAL AND PROPRIETARY INFORMATION OF ROCKWELL AUTOMATION, INC. AND MAY NOT BE USED, COPIED OR DISCLOSED TO OTHERS, EXCEPT WITH THE AUTHORIZED WRITTEN PERMISSION OF ROCKWELL AUTOMATION, INC.					
	TOLERANCES UNLESS OTHERWISE SPECIFIED								
	.X:± N/A	DR.	CDS	DATE	03-22-07	SHEET	1	OF	1
	.XX:± N/A	CHKD.		DATE		DWG.			
	ANGLES:± N/A	APPD.		DATE		SIZE			
01	03/27/07					D	PF4M B OUTLINE		