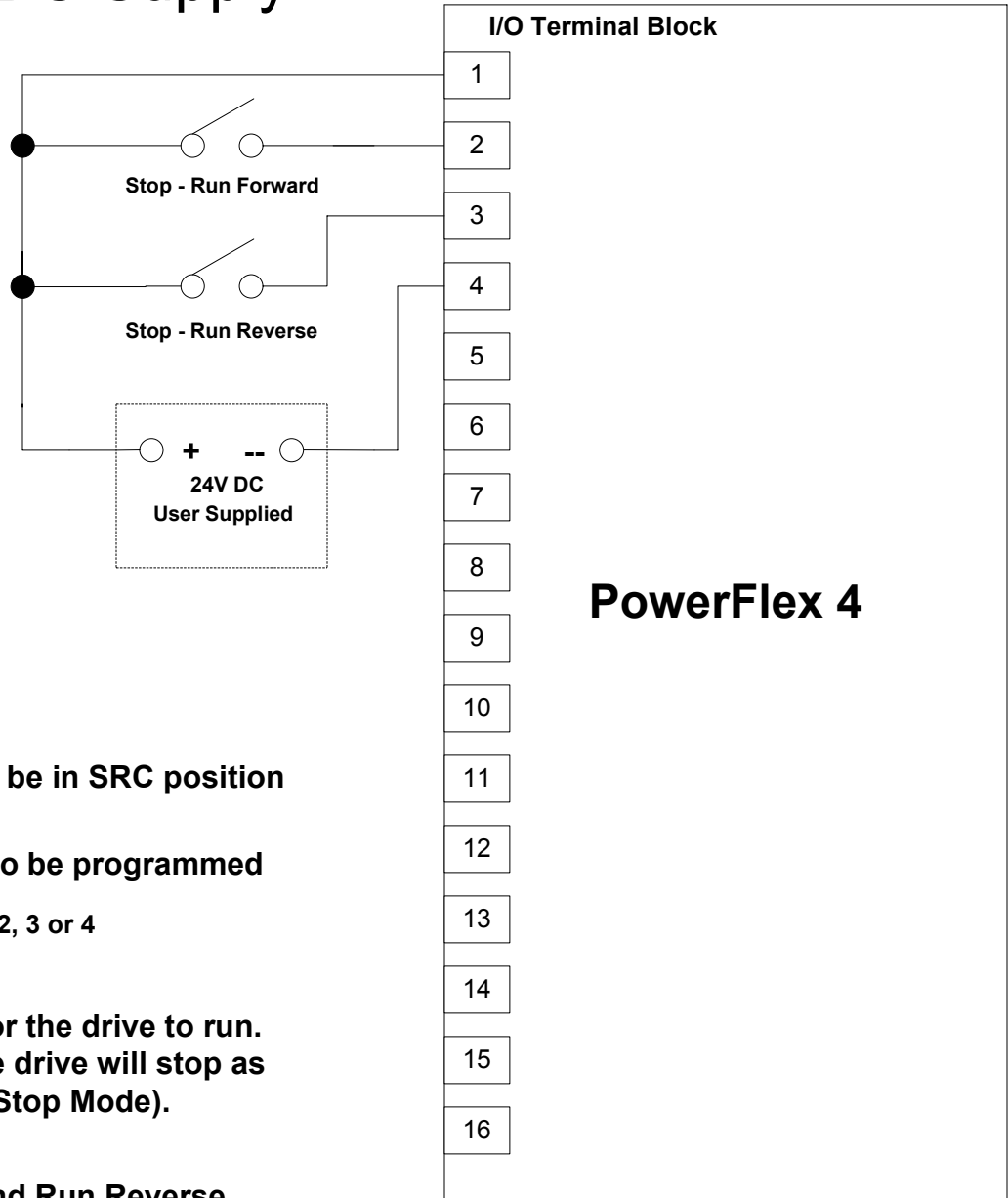


2 Wire SRC Control - Run FWD/Run REV External 24V DC Supply



1) SNK/SRC Switch must be in SRC position

2) Parameters that need to be programmed

P036 (Start Source) = 2, 3 or 4

3) Input must be active for the drive to run.
When input is opened, the drive will stop as
specified by P037 (Stop Mode).

4) If both Run Forward and Run Reverse
inputs are closed at the same time, an
undetermined state could occur.