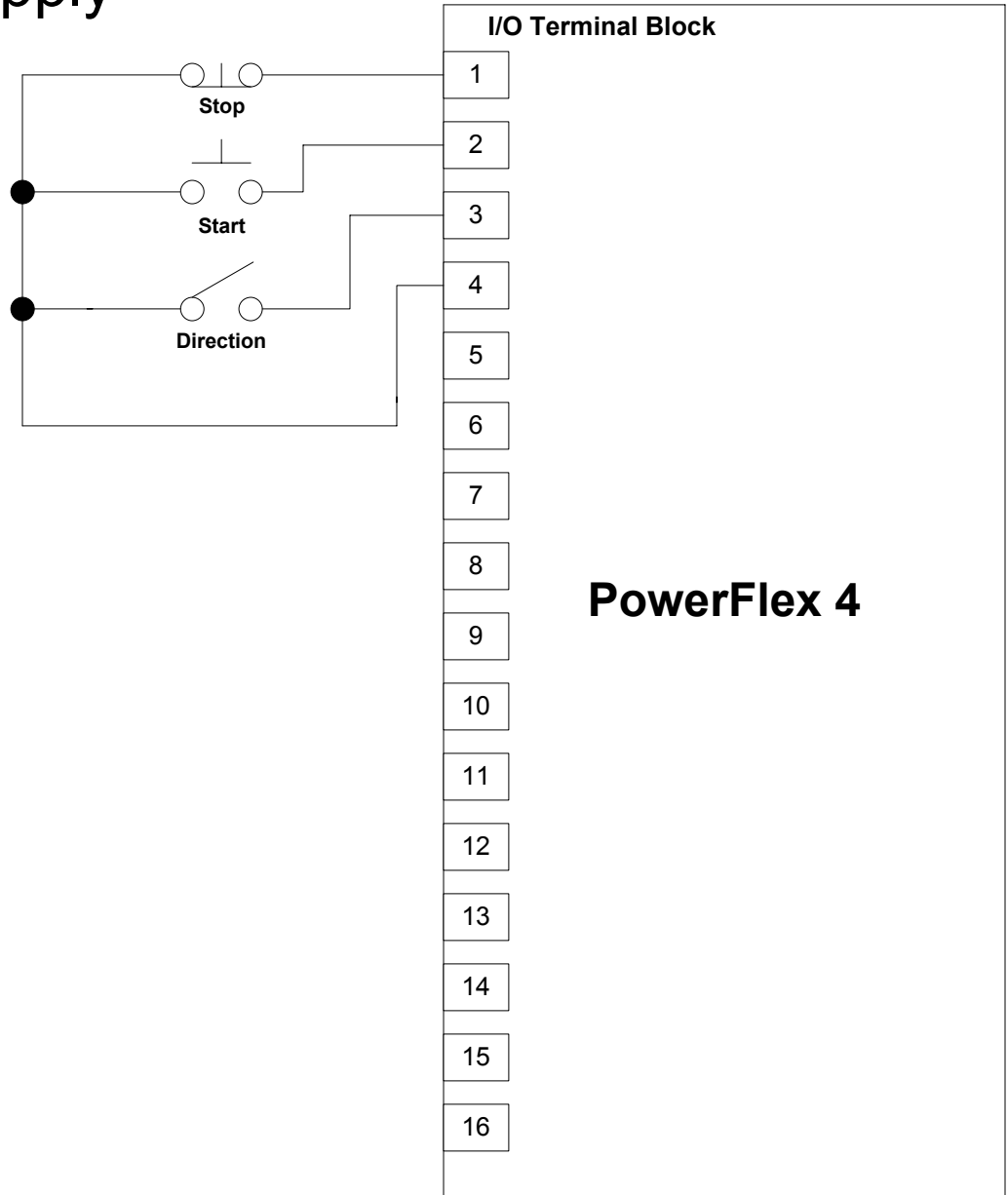


# 3 Wire SNK Control - Reversing Internal Supply



1) **SNK/SRC Switch must be in SNK position**

2) **Parameters that need to be programmed**

P036 (Start Source) = 1

3) **A momentary input will start the drive. A stop input to I/O terminal 01 will stop the drive as specified by P037 (Stop Mode). I/O Terminal 03 determines direction.**