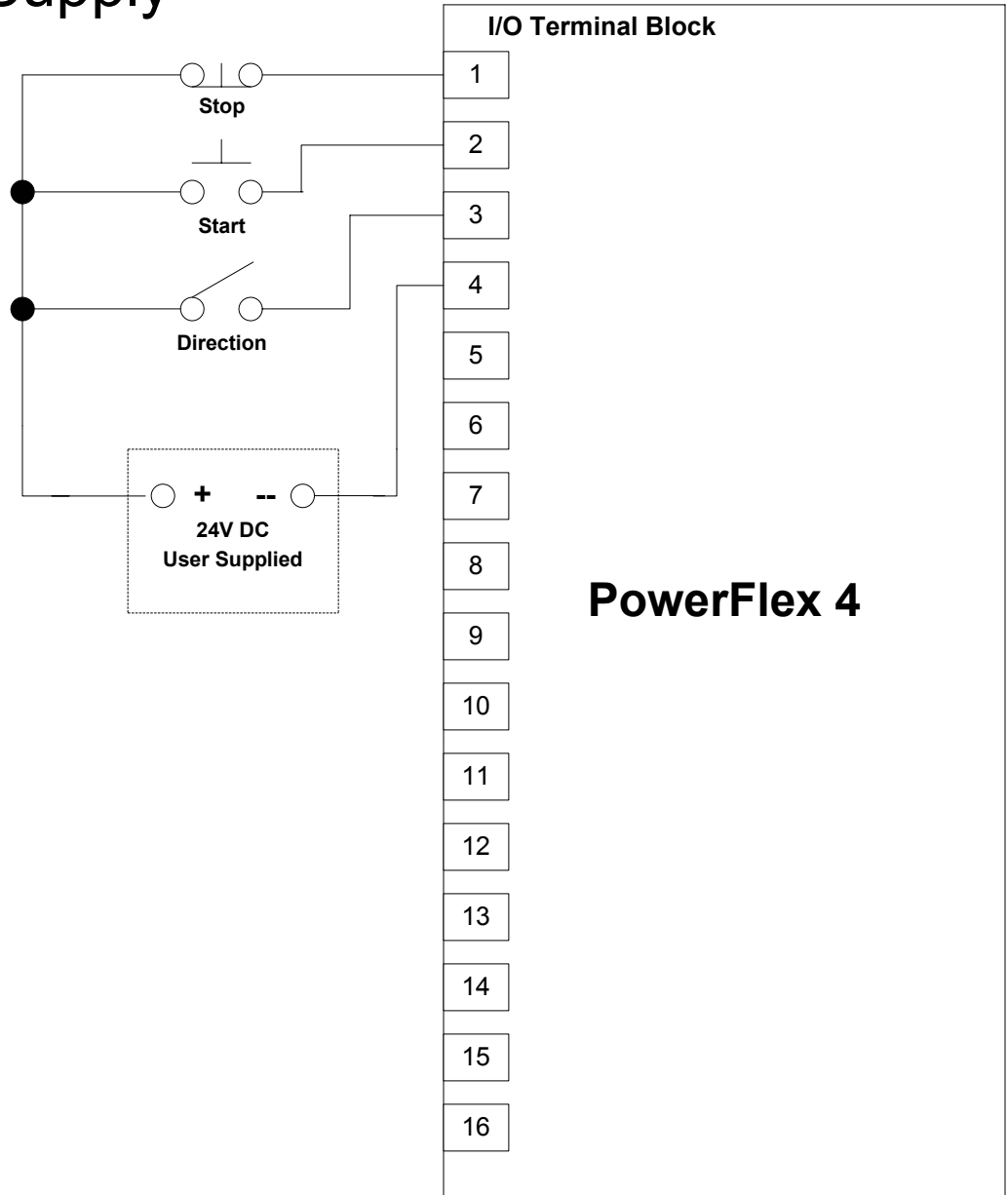


3 Wire SRC Control - Reversing External Supply



1) SNK/SRC Switch must be in SRC position

2) Parameters that need to be programmed

P036 (Start Source) = 1

3) A momentary input will start the drive. A stop input to I/O terminal 01 will stop the drive as specified by P037 (Stop Mode). I/O Terminal 03 determines direction.