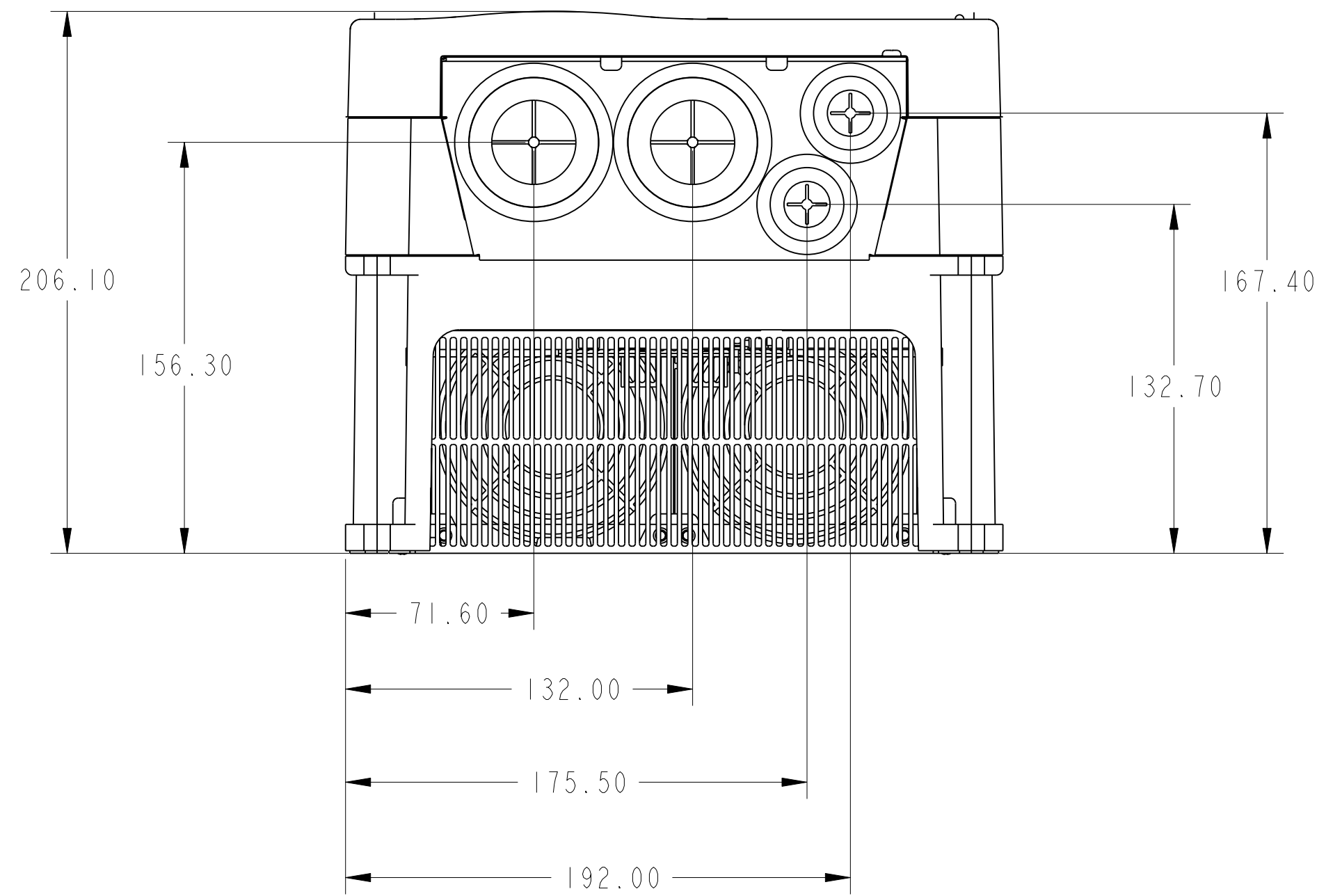
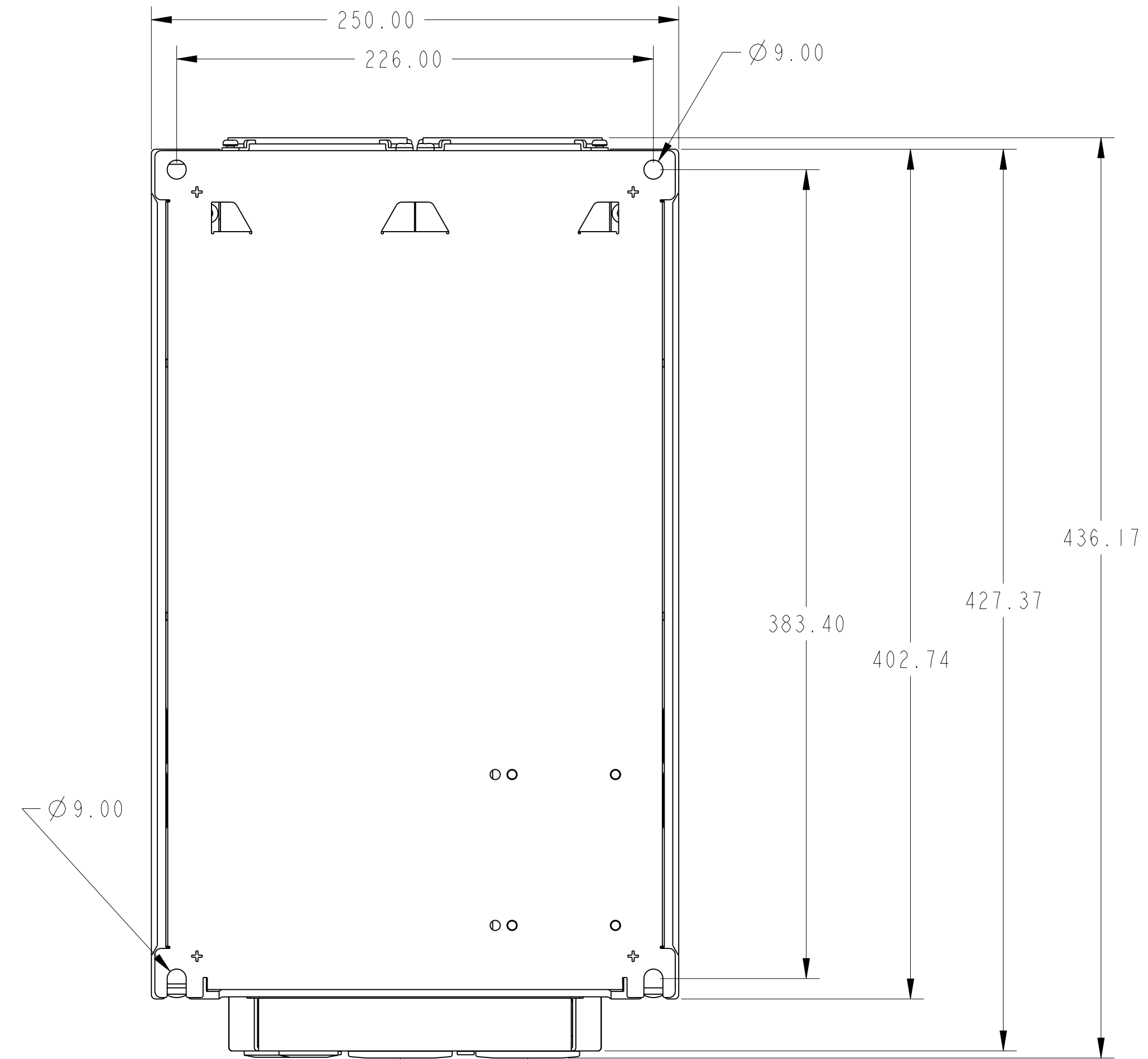
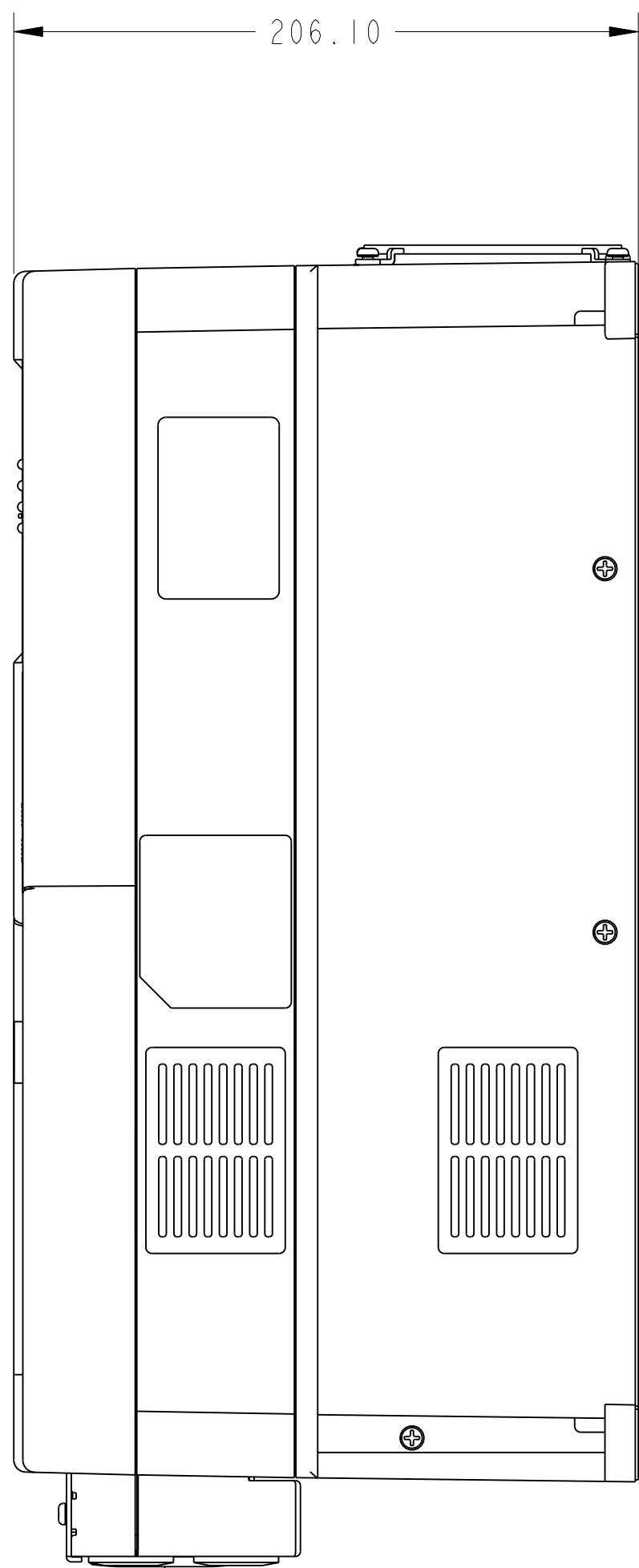
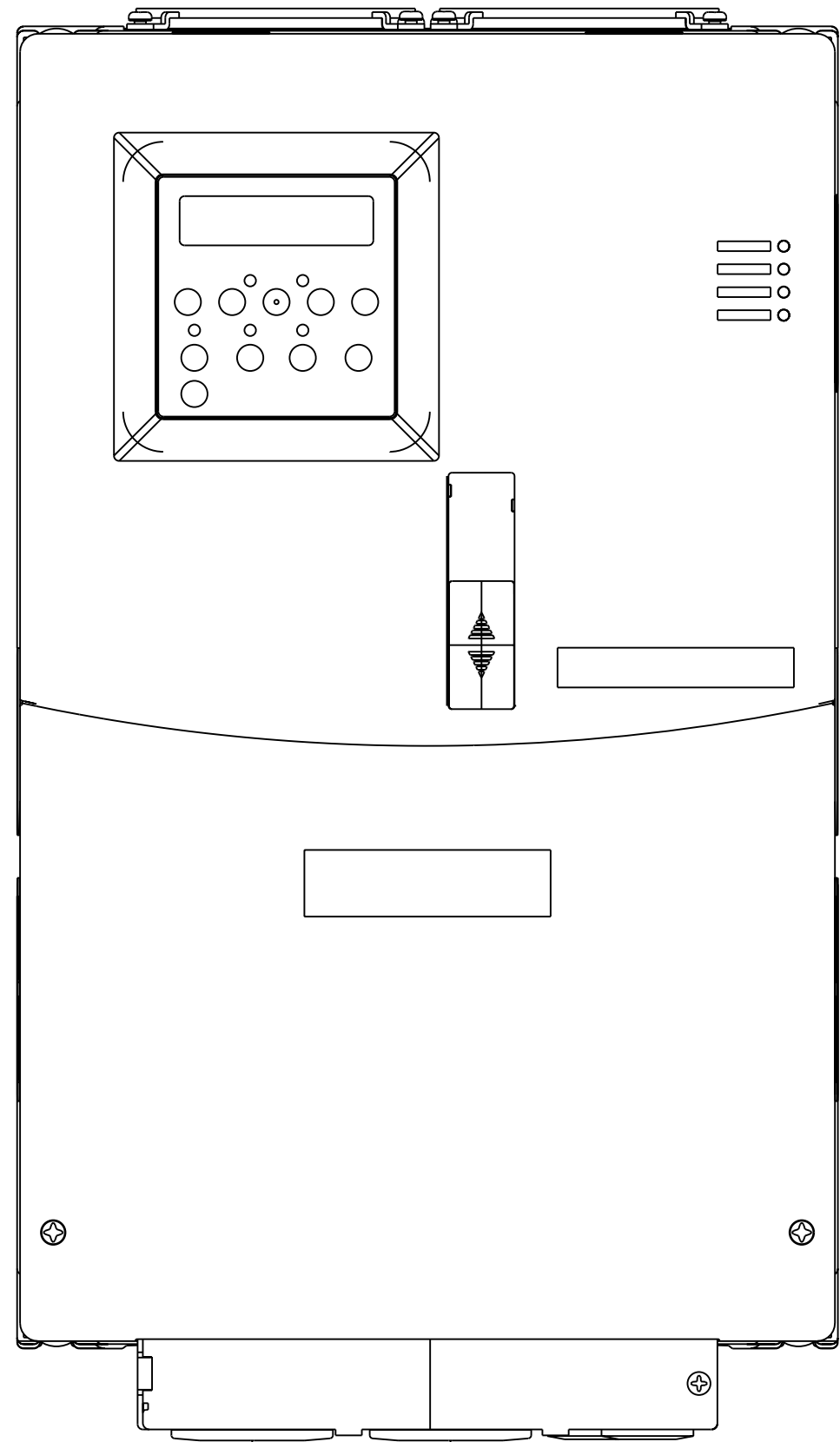


1 2 3 4 5 6 7 8

A
B
C
D
E
F
G
H



SCALE: 0.50 = 1.0

PARTS MUST CONFORM TO APPLICABLE ROCKWELL AUTOMATION MANUFACTURING STANDARDS
CAD DOCUMENT
FILE NAME PF400_D_FRAME_OUTLINE

REFERENCES		PF400 D FRAME OUTLINE DRAWING			THIS DRAWING IS THE PROPERTY OF ROCKWELL AUTOMATION, INC. OR ITS SUBSIDIARIES AND MAY NOT BE COPIED, USED OR DISCLOSED FOR ANY PURPOSE EXCEPT AS AUTHORIZED IN WRITING BY ROCKWELL AUTOMATION, INC.
REVISION AUTHORIZATION	DIMENSIONS APPLY BEFORE SURFACE TREATMENT DIMENSIONS IN MILLIMETERS				
	TOLERANCES UNLESS OTHERWISE SPECIFIED				
	.X:± N/A				
	.XX:± N/A	DR.	SHERBINOW	DATE	10-07-04
	ANGLES:± N/A	CHKD.		DATE	
1	10/7/2004	APPD.		DATE	

SHEET 1 OF 1
DWG. SIZE D
PF400_D_FRAME