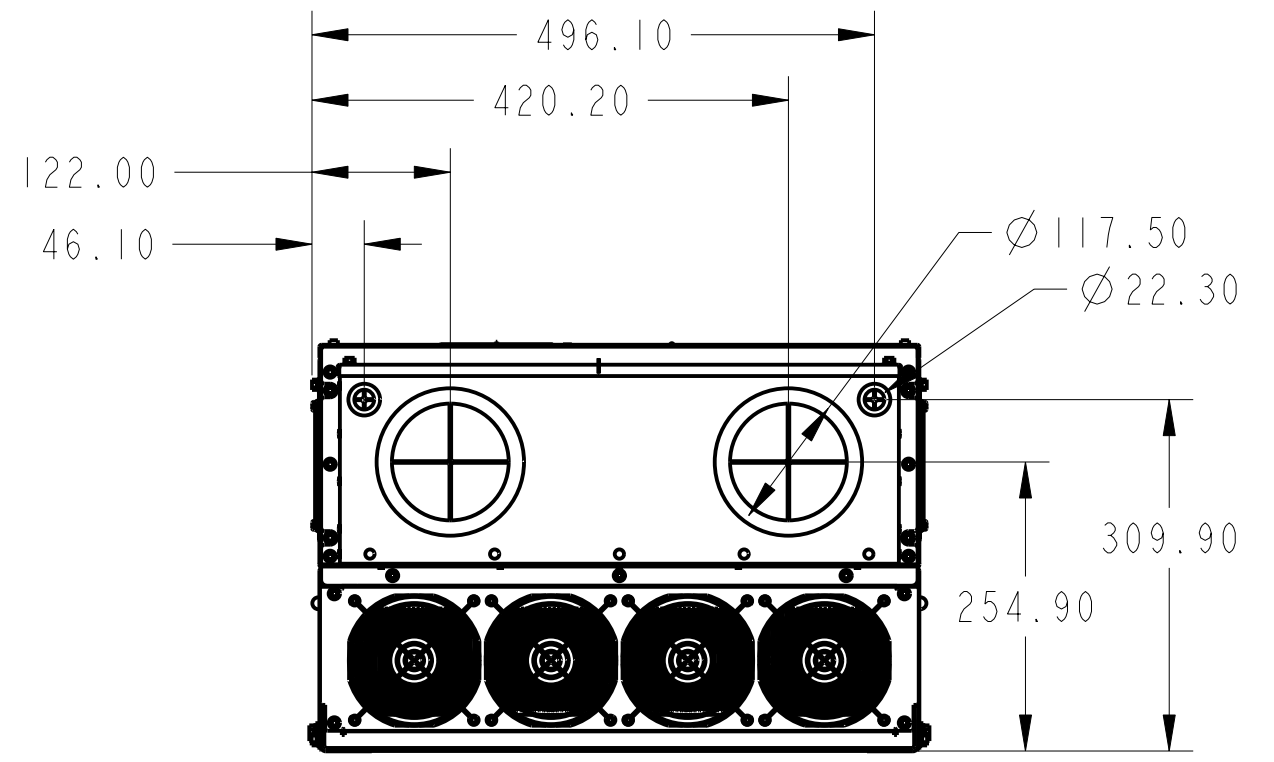
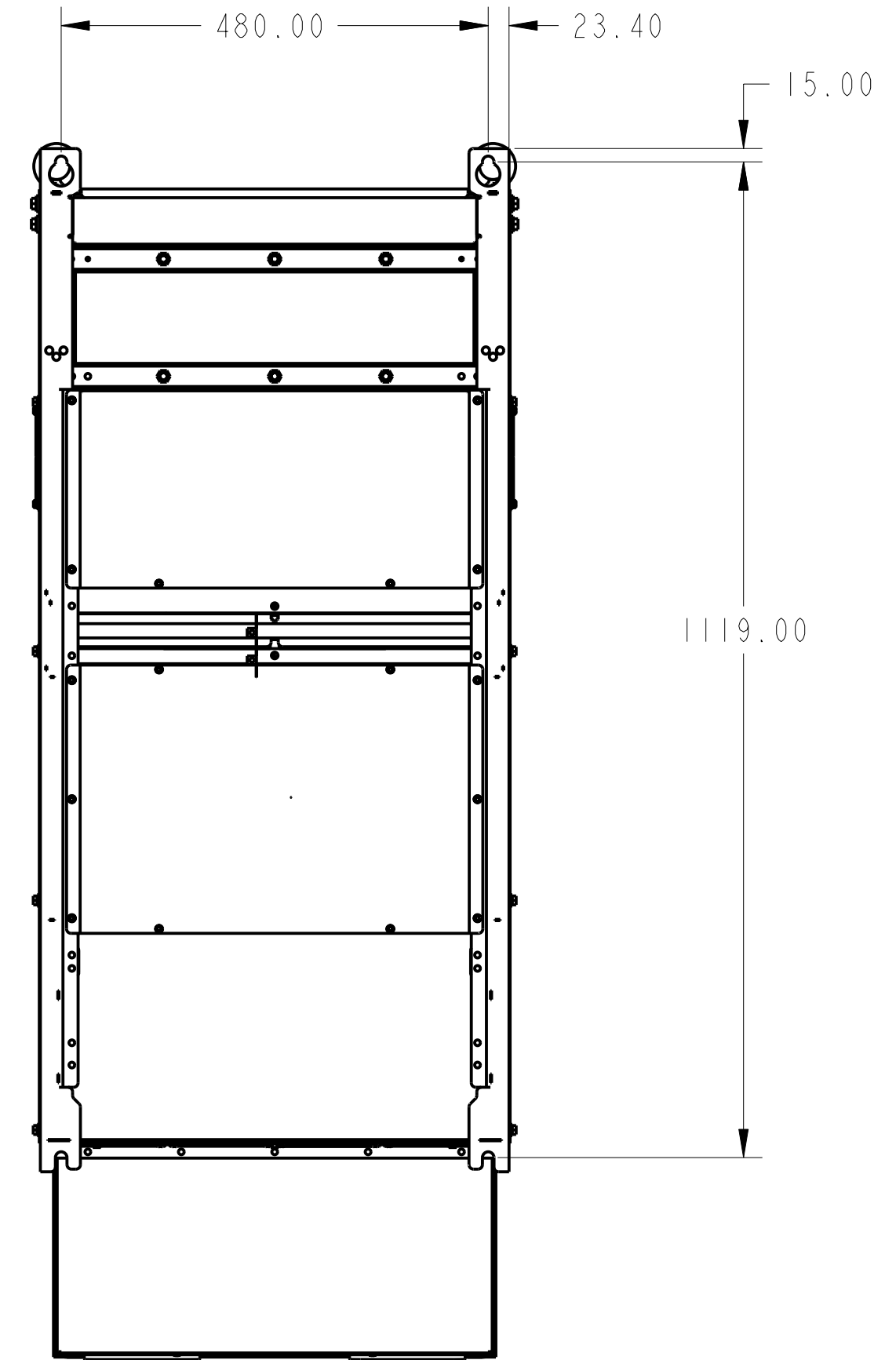
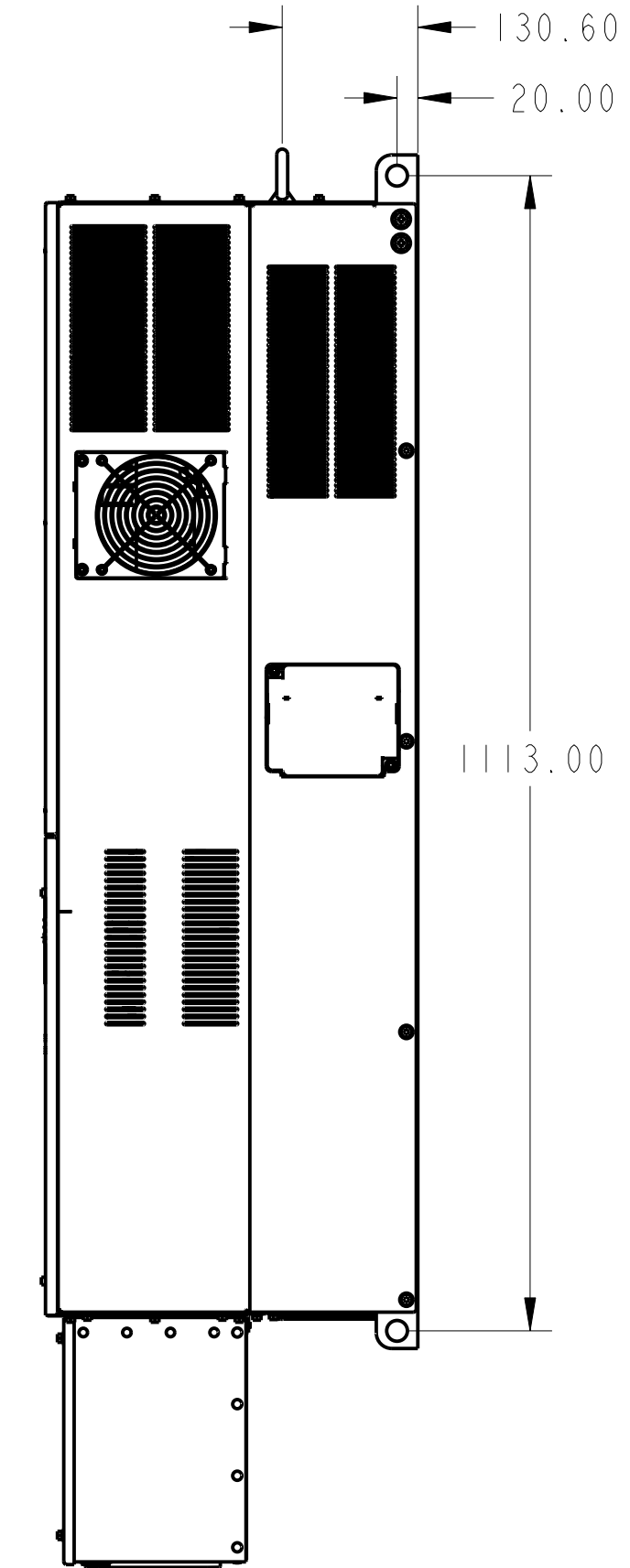
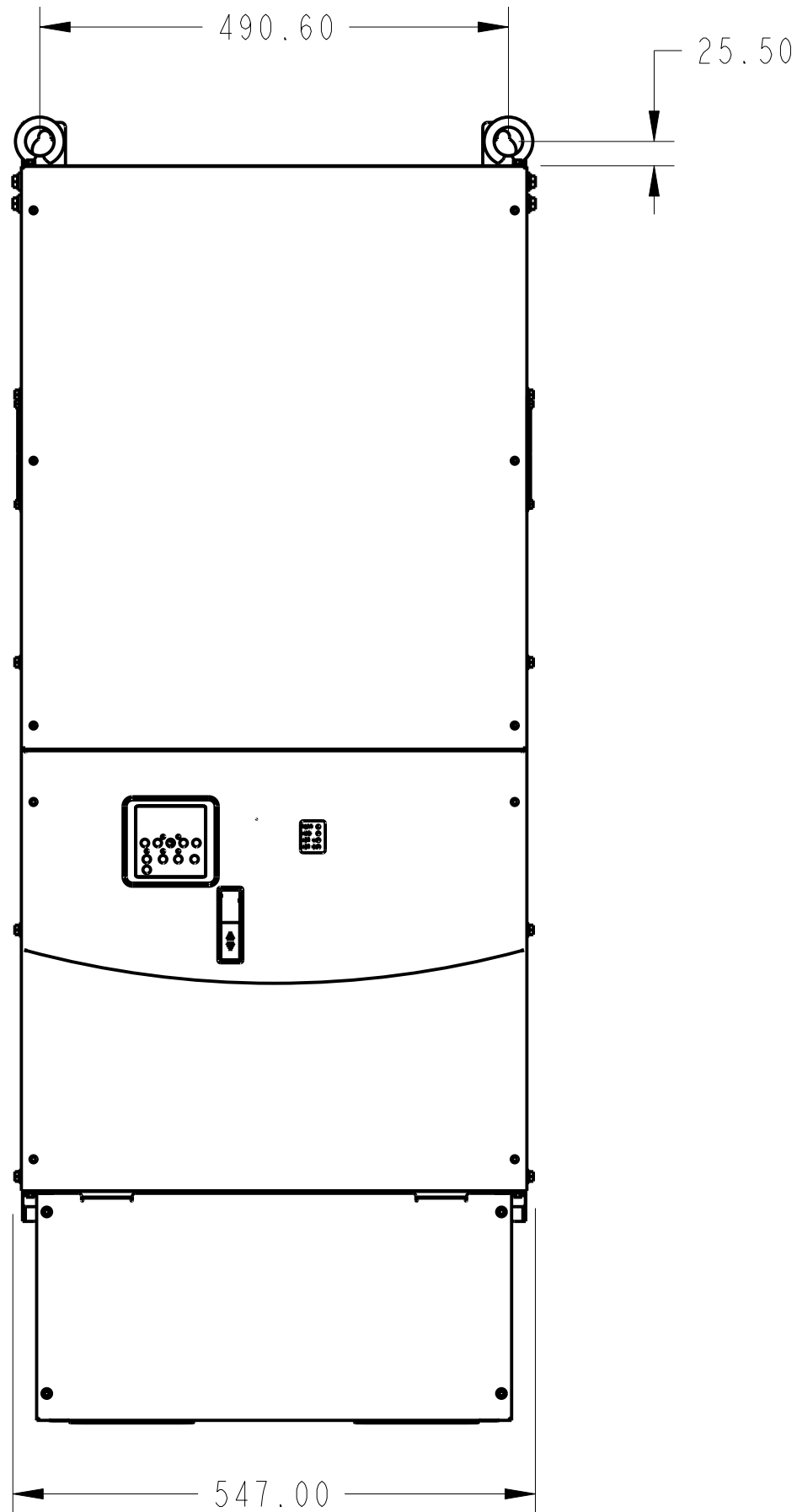
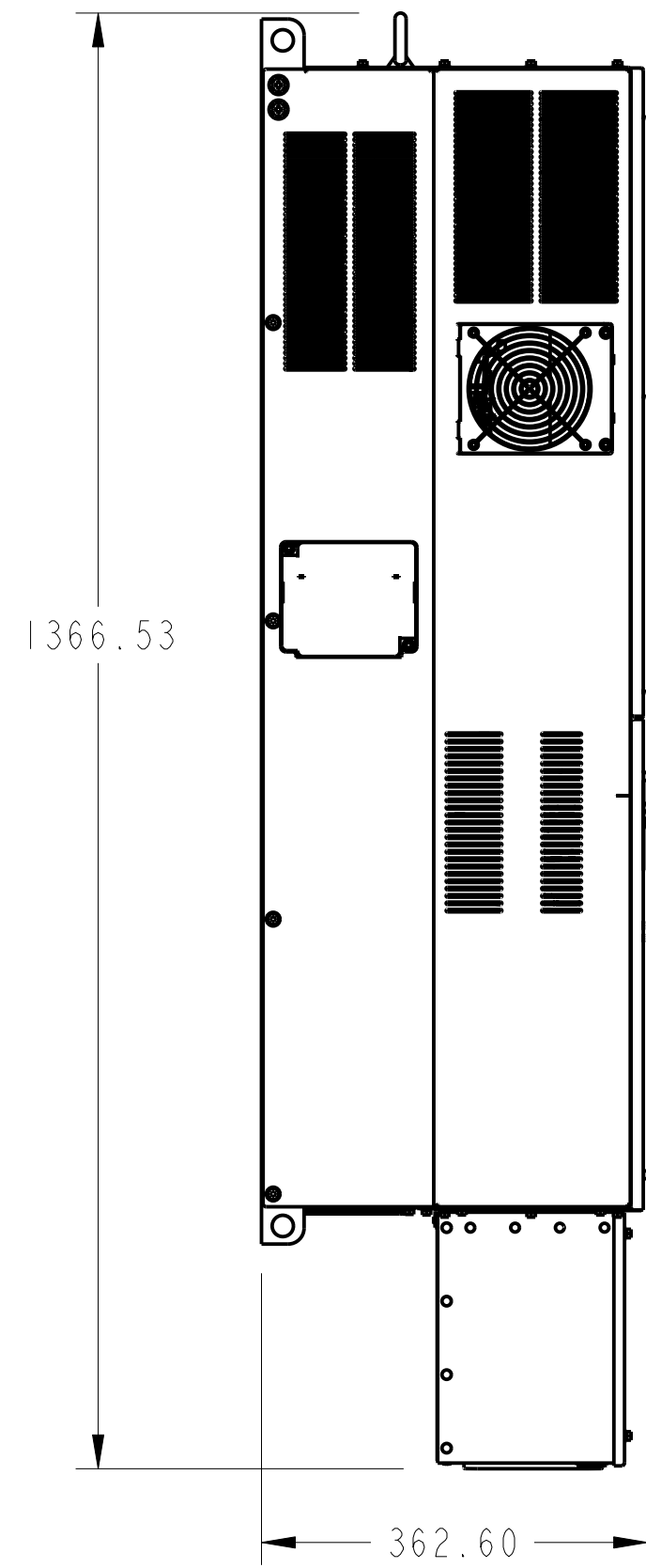
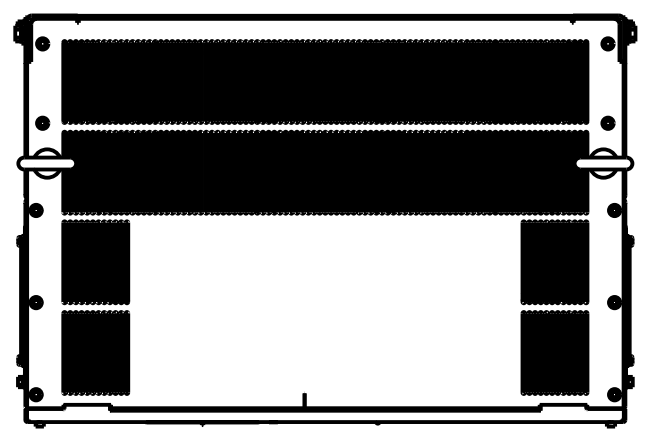


1 2 3 4 5 6 7 8

CLASSIFICATION TABLE						
P=PERFORMANCE, F=FIT, A=ASSEMBLY (USE ONLY WITH Ø SYMBOL) X=IDENTIFIES APPLICABLE CLASSIFICATION(S) ⊕=REQUIRED BY ENGINEERING AND/OR MANUFACTURING Ⓢ=STRICT CONFORMANCE TO SPECIFICATION REQUIRED AND IS NOT NEGOTIABLE (MAY BE REQUIRED BY REGULATORY AGENCY)						
CHARACTERISTIC -OR- DIMENSION	COMMENT	DRAWING LOCATION (ZONE)	P	F	A	R



PARTS MUST CONFORM TO APPLICABLE ROCKWELL AUTOMATION MANUFACTURING STANDARDS

CAD DOCUMENT

FILE NAME: 1195257

REFERENCES		PF400 H OUTLINE		CONFIDENTIAL AND PROPRIETARY INFORMATION	
REVISION AUTHORIZATION	DIMENSIONS APPLY BEFORE SURFACE TREATMENT DIMENSIONS IN MILLIMETERS	Rockwell Automation		THIS DOCUMENT CONTAINS CONFIDENTIAL AND PROPRIETARY INFORMATION OF ROCKWELL AUTOMATION, INC. AND MAY NOT BE USED, COPIED OR DISCLOSED TO OTHERS, EXCEPT WITH THE AUTHORIZED WRITTEN PERMISSION OF ROCKWELL AUTOMATION, INC.	
	TOLERANCES UNLESS OTHERWISE SPECIFIED				
	.X:±	DR.	CDS	DATE	05-23-07
02	06/06/07	CHKD.		DATE	
01	05/24/07	APPD.		DATE	
				SHEET	1 OF 1
				DWG. SIZE	D
				1195257	