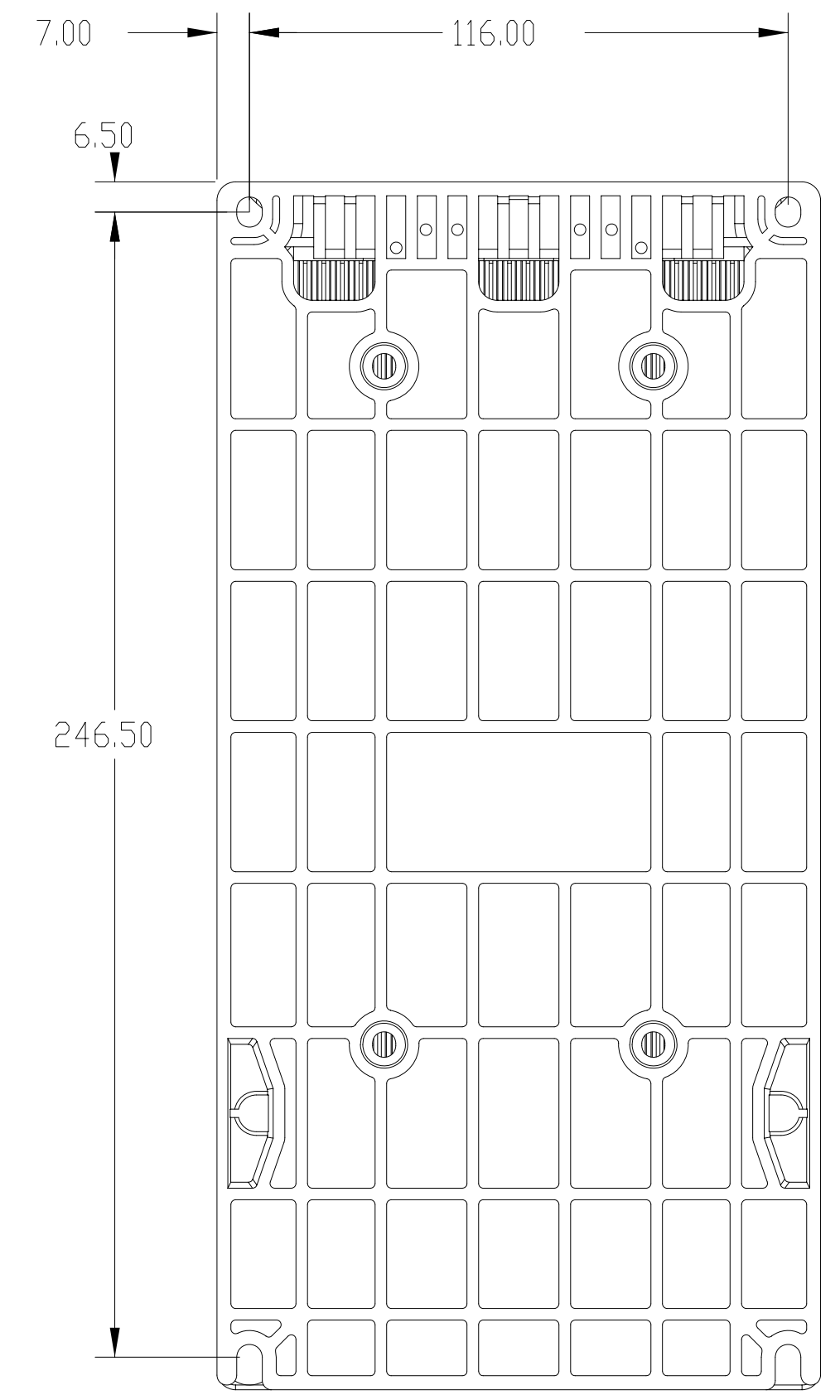
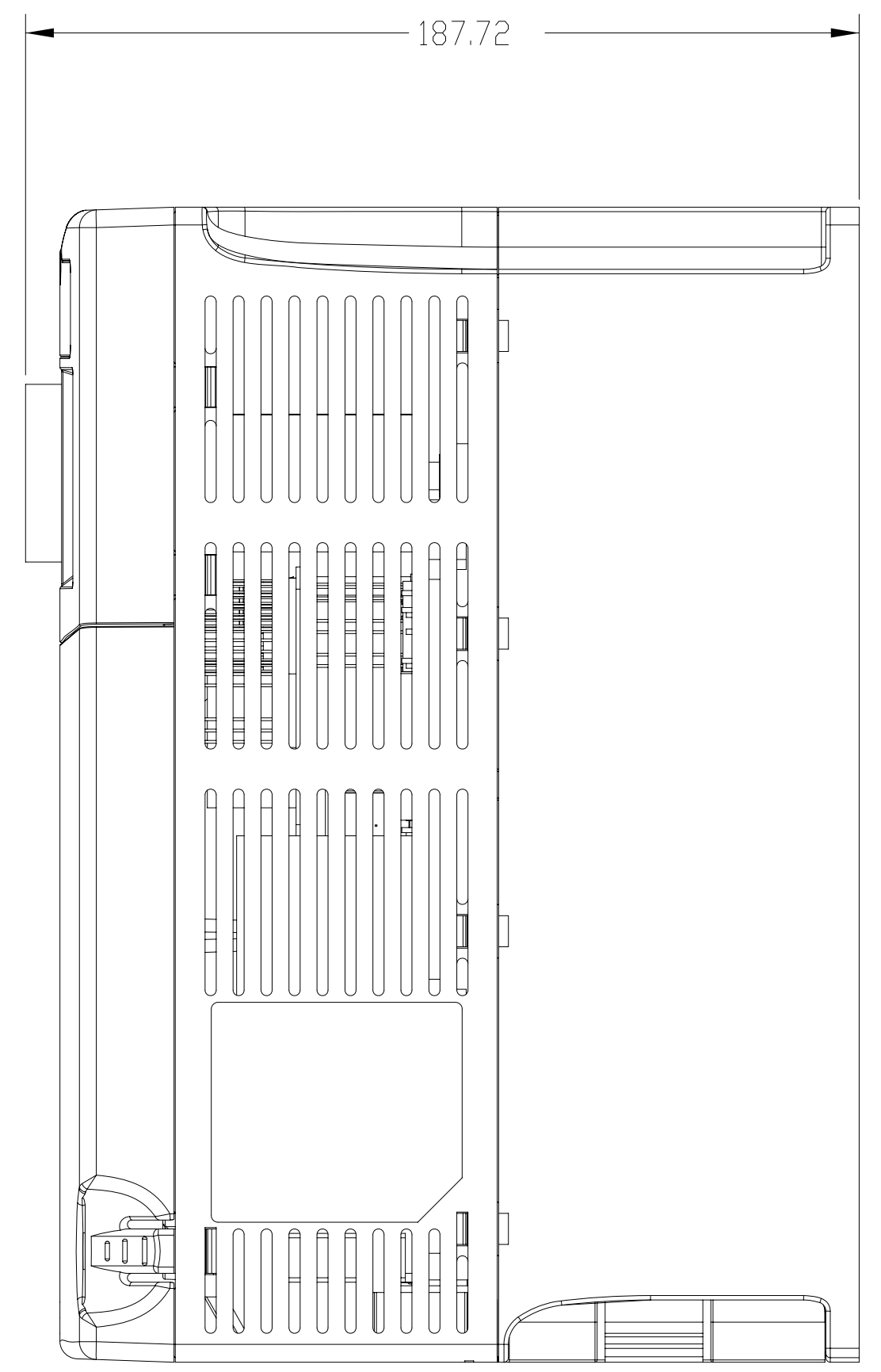
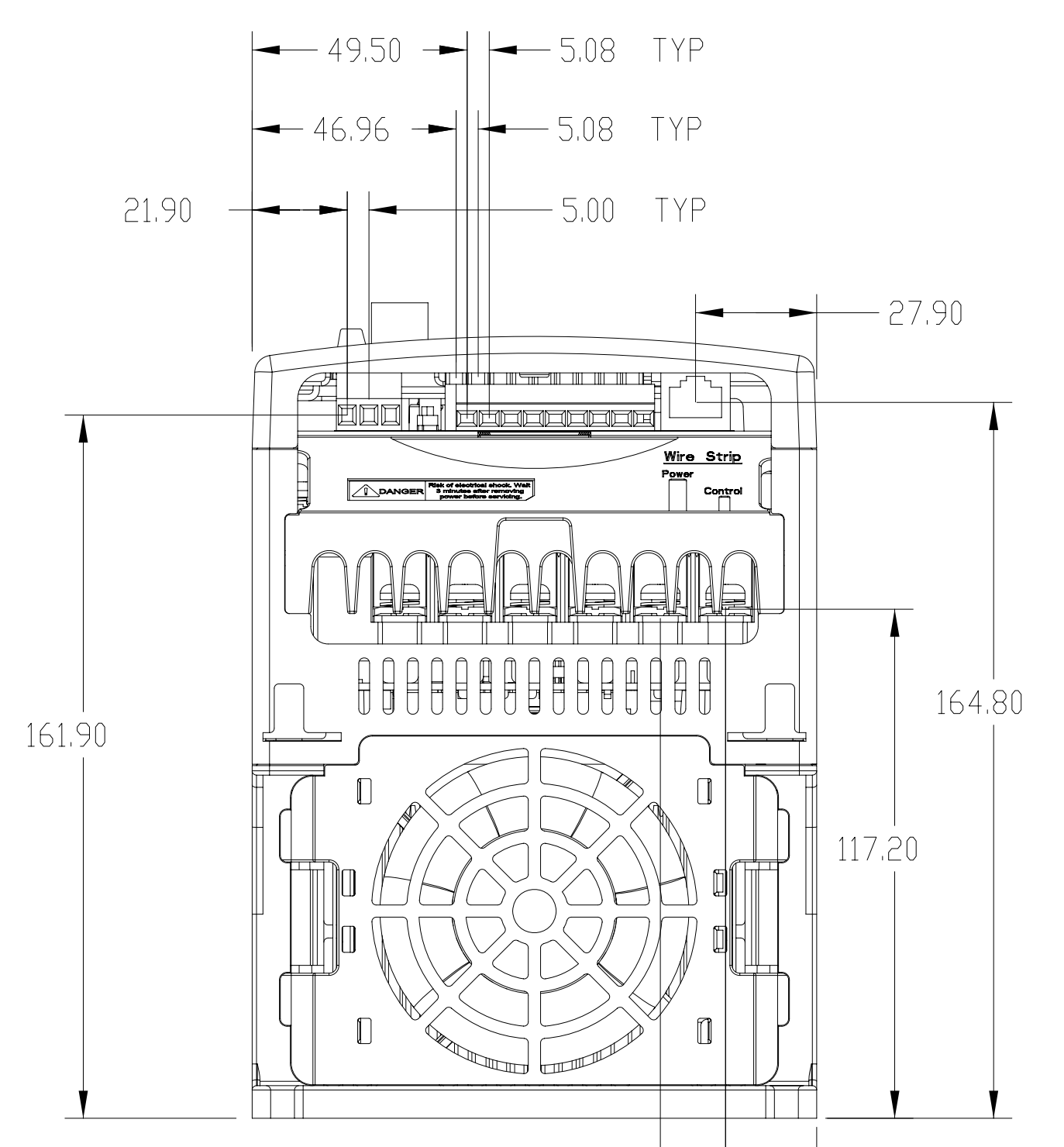


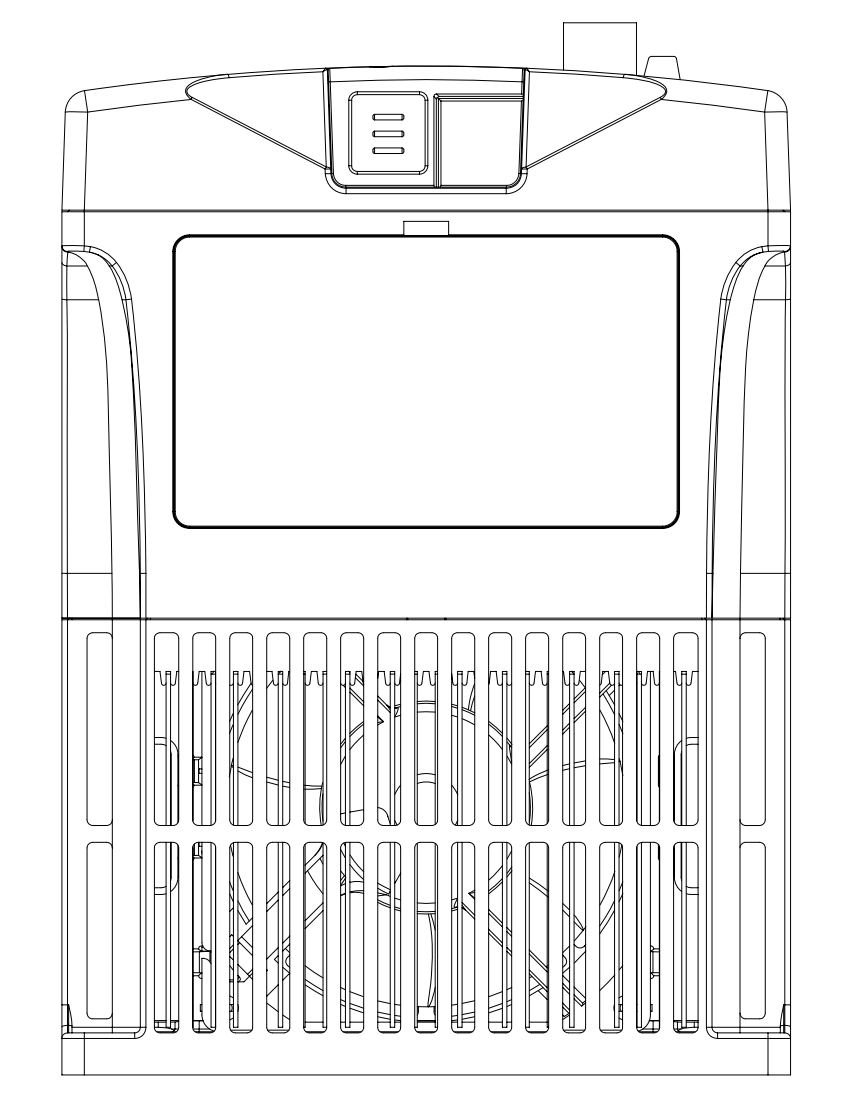
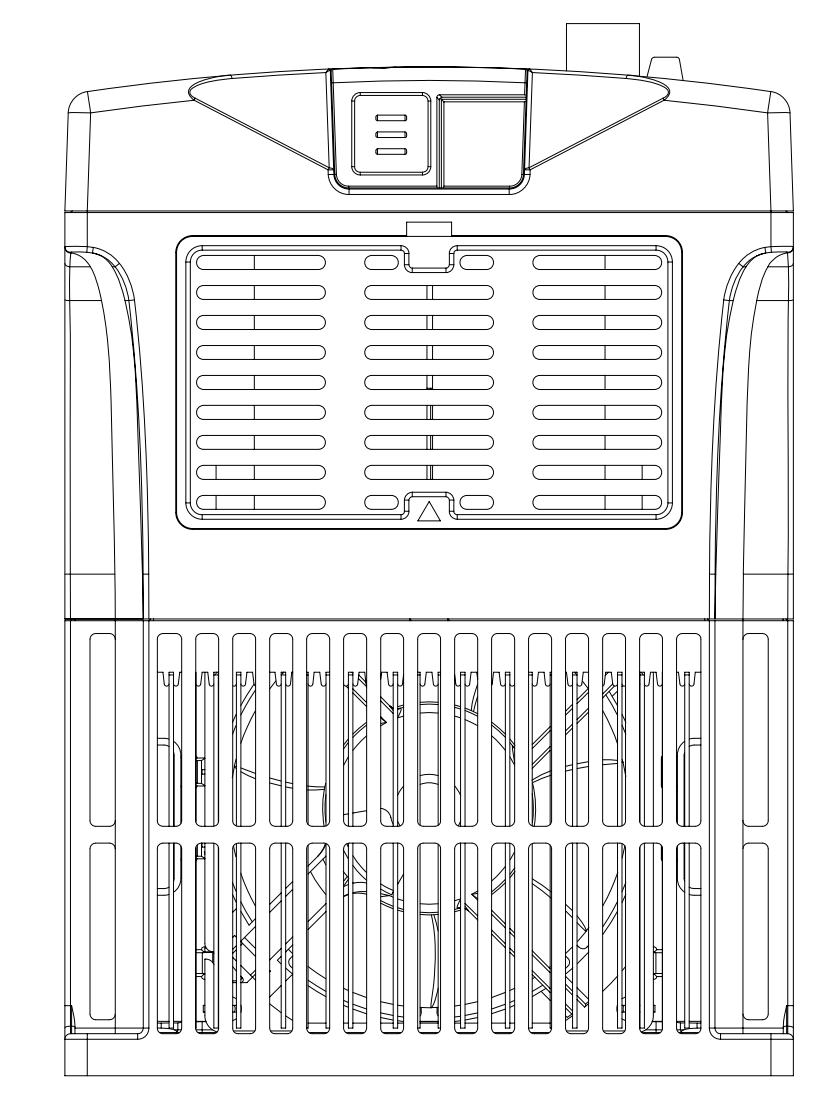
TOP VIEW



BOTTOM VIEW



FRONT VIEW



BACK VIEW

PARTS MUST CONFORM TO APPLICABLE ROCKWELL AUTOMATION MANUFACTURING STANDARDS
 CAD DOCUMENT
 FILE NAME: 370314-6_Pf40P_C_FR_OUTLINE

REFERENCES		PF40P C FRAME			CONFIDENTIAL AND PROPRIETARY INFORMATION THIS DOCUMENT CONTAINS CONFIDENTIAL AND PROPRIETARY INFORMATION OF ROCKWELL AUTOMATION, INC. AND MAY NOT BE USED, COPIED OR DISCLOSED TO OTHERS, EXCEPT WITH THE AUTHORIZED WRITTEN PERMISSION OF ROCKWELL AUTOMATION, INC.
REVISION	AUTHORIZATION	OUTLINE DIMENSION DRAWING			
		Rockwell Automation DR. CDS DATE 09-25-07 CHKD. DATE APPD. DATE			SHEET 1 OF 1
01	1030994				
		DIMENSIONS APPLY BEFORE SURFACE TREATMENT DIMENSIONS IN MILLIMETERS TOLERANCES UNLESS OTHERWISE SPECIFIED: .X:± .XX:± ANGLES:±			DWG. SIZE D 370314-6