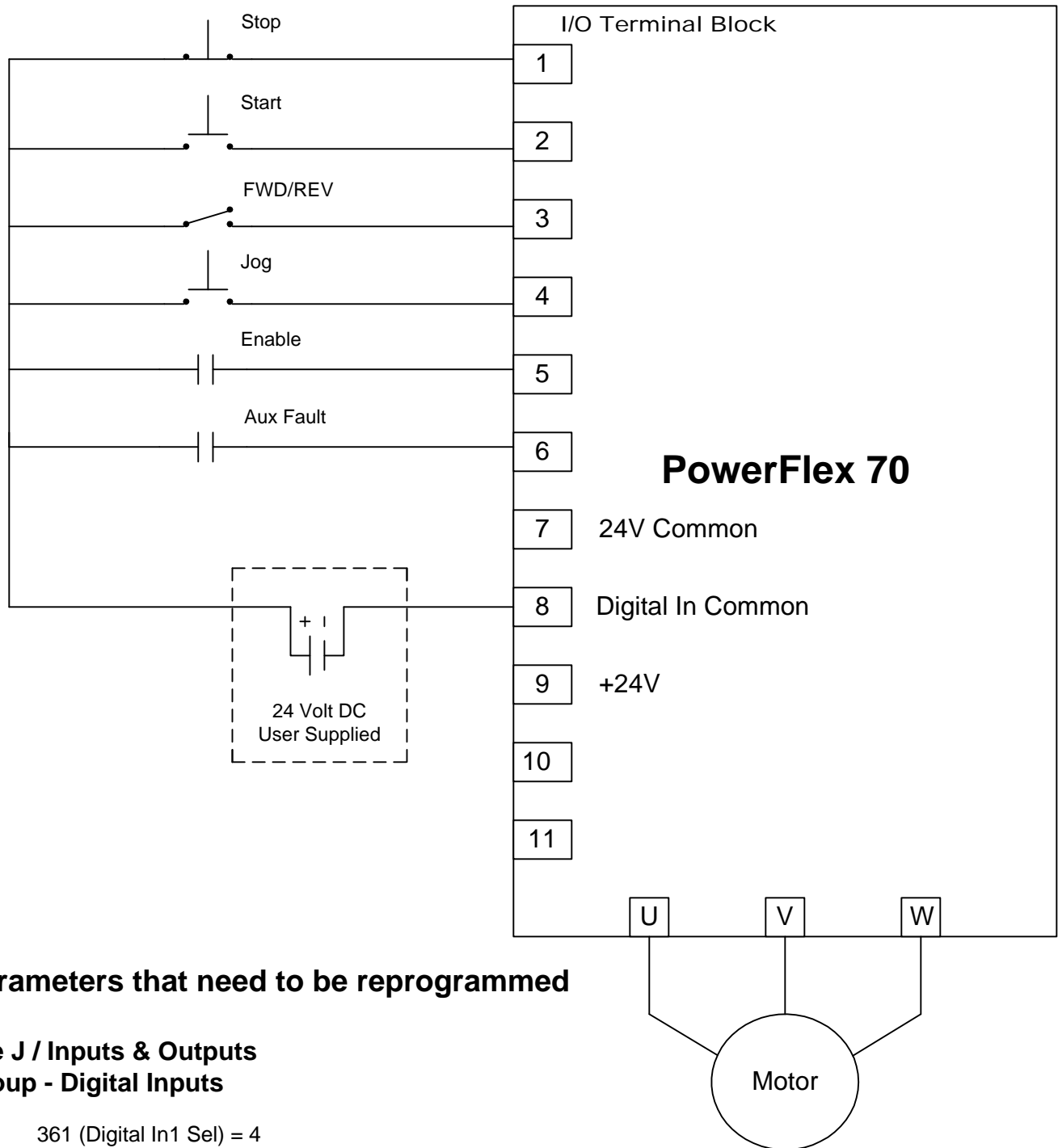


3-Wire Start/Stop, FWD/REV, Jog, Enable, Aux Fault User Supplied 24 volt Logic power



Parameters that need to be reprogrammed

File J / Inputs & Outputs Group - Digital Inputs

361 (Digital In1 Sel) = 4

362 (Digital In2 Sel) = 5

363 (Digital In3 Sel) = 6

364 (Digital In4 Sel) = 10

365 (Digital In5 Sel) = 1

366 (Digital In6 Sel) = 3