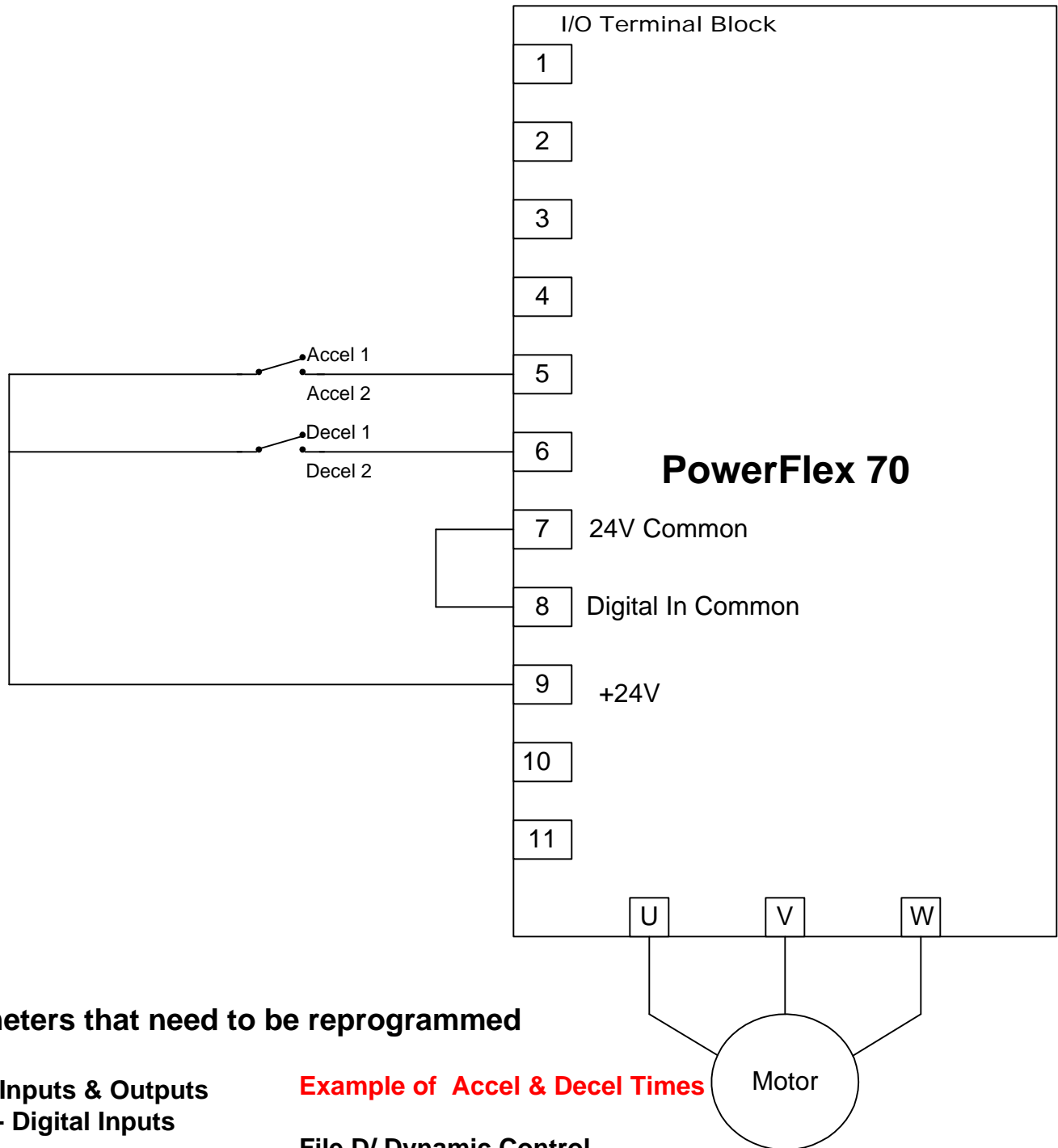


Selecting 2 Different Acc/Dec Rates



Parameters that need to be reprogrammed

File J / Inputs & Outputs Group - Digital Inputs

- 361 (Digital In1 Sel) = 4
- 362 (Digital In2 Sel) = 5
- 363 (Digital In3 Sel) = 10
- 364 (Digital In4 Sel) = 15
- 365 (Digital In5 Sel) = 21
- 366 (Digital In6 Sel) = 22

Example of Accel & Decel Times

File D/ Dynamic Control Group - Ramp Rates

- 140 (Accel Time 1) = 10 sec
- 141 (Accel Time 2) = 1 Sec
- 142 (Decel Time 1) = 10 Sec
- 143 (Decel Time 2) = 1 Sec