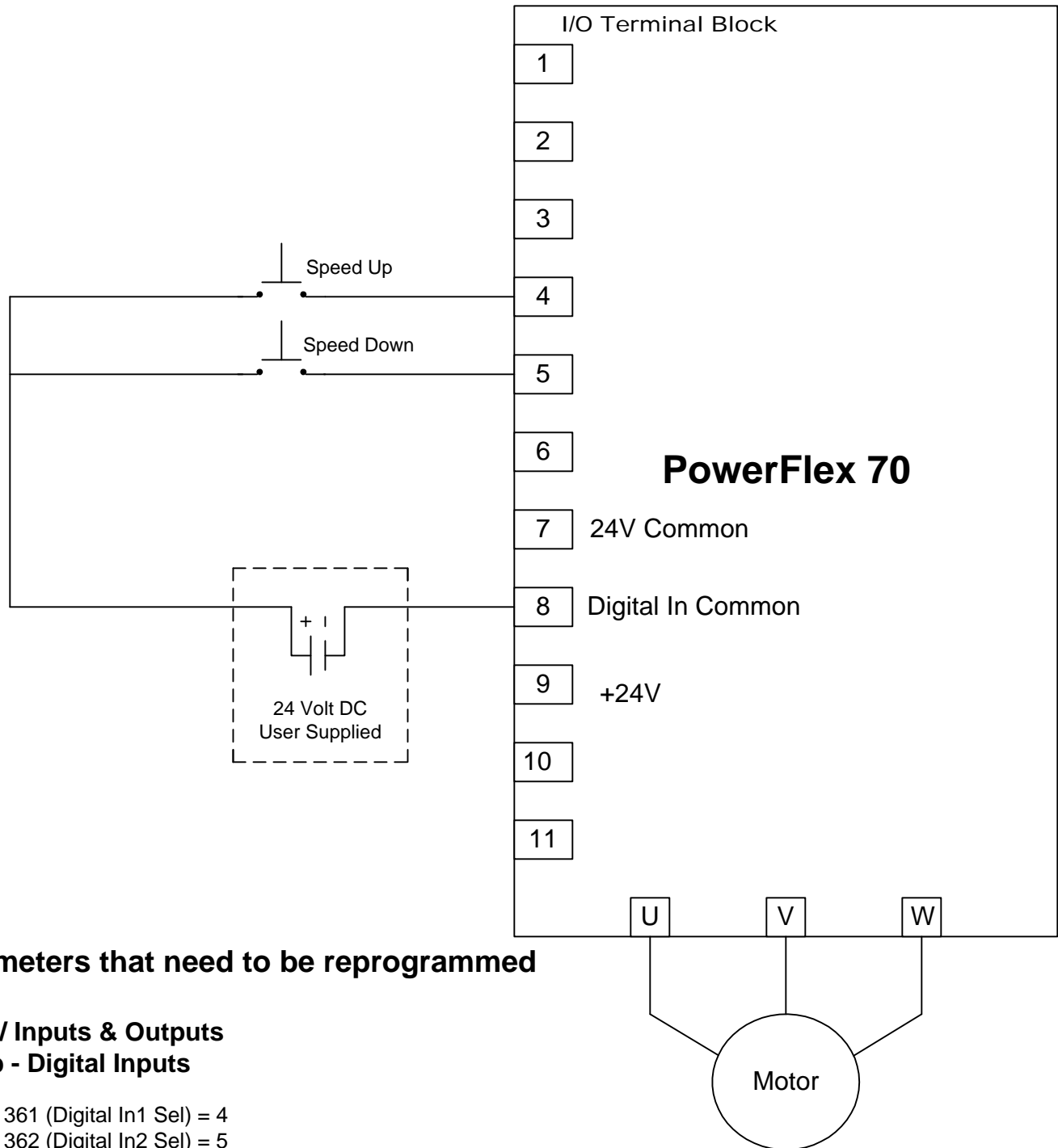


# Using MOP Speed Control User Supplied 24 Volt Logic Power



## Parameters that need to be reprogrammed

### File J / Inputs & Outputs Group - Digital Inputs

- 361 (Digital In1 Sel) = 4
- 362 (Digital In2 Sel) = 5
- 363 (Digital In3 Sel) = 10
- 364 (Digital In4 Sel) = 23
- 365 (Digital In5 Sel) = 24
- 366 (Digital In6 Sel) = 17

### File C / Speed Command Group - Speed References

- 90 (Speed Ref A Sel) = 9 (MOP Level)