

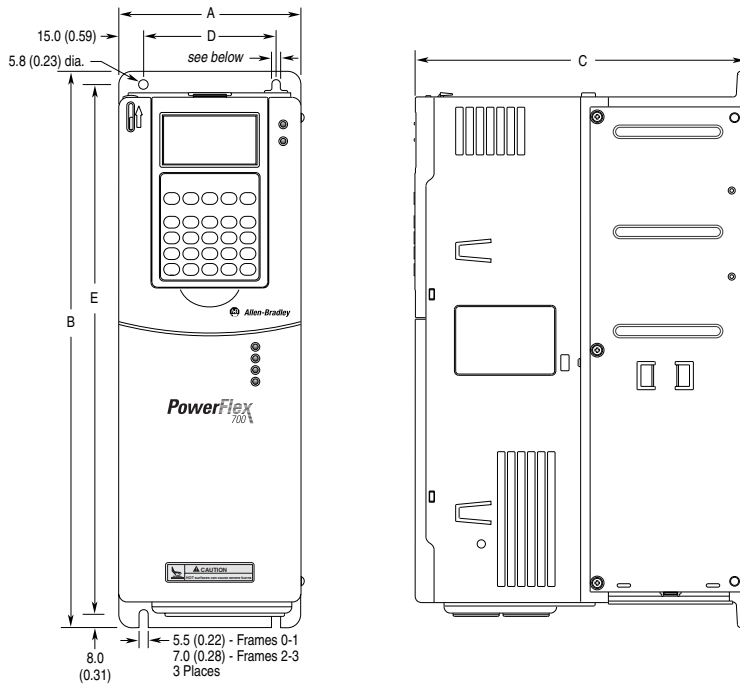
Specifications

Approximate Dimensions

PowerFlex 700 Frames

Frame	208/240V AC Input		400V AC Input		480V AC Input		600V AC Input	
	ND HP	HD HP	ND kW	HD kW	ND HP	HD HP	ND HP	HD HP
0	0.5	0.33	0.37	0.25	0.5	0.33	-	-
	1	0.75	0.75	0.55	1	0.75	-	-
	-	-	1.5	0.75	2	1.5	-	-
	-	-	2.2	1.5	3	2	-	-
	-	-	4	2.2	5	3	-	-
	-	-	5.5	4	7.5	5	-	-
1	2	1.5	7.5	5.5	10	7.5	10	7.5
	3	2	11	7.5	15	10	15	10
	5	3	-	-	-	-	-	-
	7.5	5	-	-	-	-	-	-
2	10	7.5	15	11	20	15	20	15
	-	-	18.5	15	25	20	25	20
3	15	10	22	18.5	30	25	30	25
	20	15	30	22	40	30	40	30
	-	-	37	30	50	40	50	40
4	25	20	45	37	60	50	60	50
	30	25	-	-	-	-	-	-
5	40	30	55	45	75	60	75	60
	50	40	-	-	100	75	-	-
6	60	50	75	55	125	100	-	-
	75	60	90	75	150	125	-	-
	-	-	110	90	-	-	-	-

PowerFlex 700 Frames 0-3



Dimensions are in millimeters and (inches). Weights are in kilograms and (pounds).

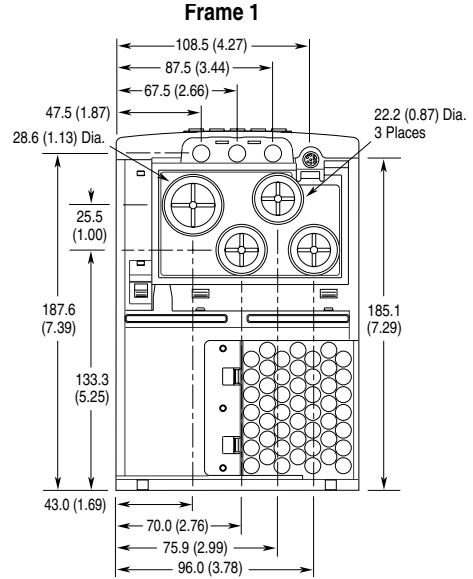
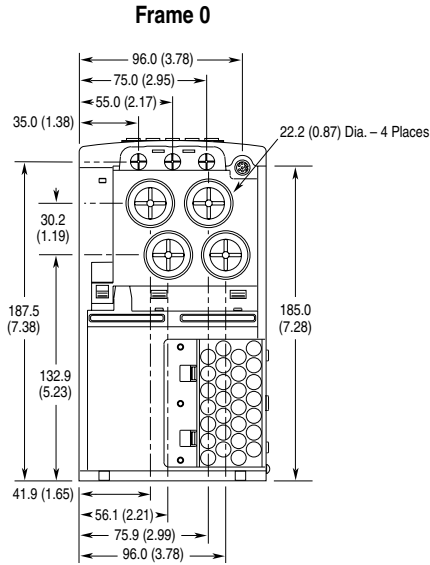
Frame	A	B	C	D	E	Weight ¹ kg (lbs.)	
						Drive	Drive & Packaging
0	110.0 (4.33)	336.0 (13.23)	200.0 (7.87)	80.0 (3.15)	320.0 (12.60)	5.22 (11.5)	8.16 (18)
1	135.0 (5.31)	336.0 (13.23)	200.0 (7.87)	105.0 (4.13)	320.0 (12.60)	7.03 (15.5)	9.98 (22)
2	222.0 (8.74)	342.5 (13.48)	200.0 (7.87)	192.0 (7.56)	320.0 (12.60)	12.52 (27.6)	15.20 (33.5)
3	222.0 (8.74)	517.5 (20.37)	200.0 (7.87)	192.0 (7.56)	500.0 (19.69)	18.55 (40.9)	22.68 (50)

¹ Weights include HIM and Standard I/O.

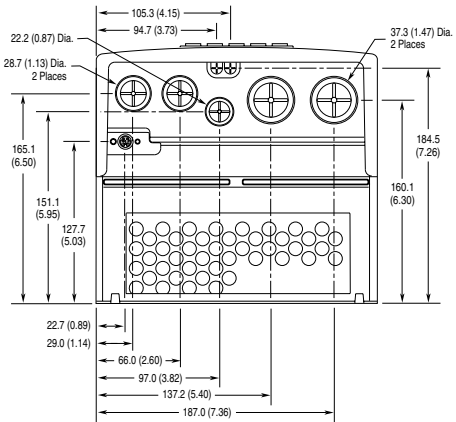
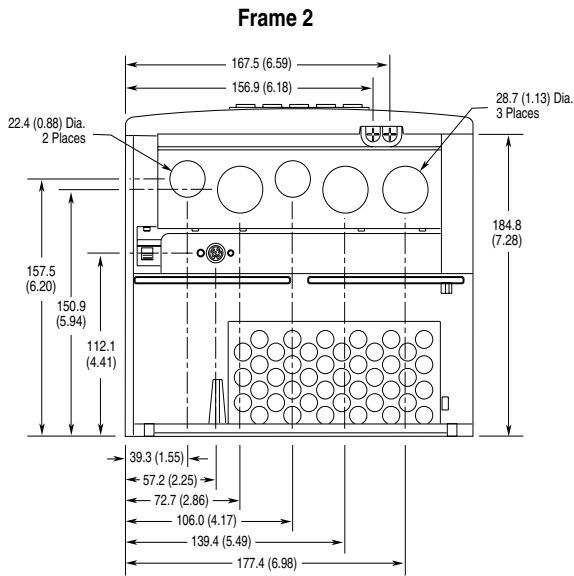
Specifications

Approximate Dimensions, Cont'd

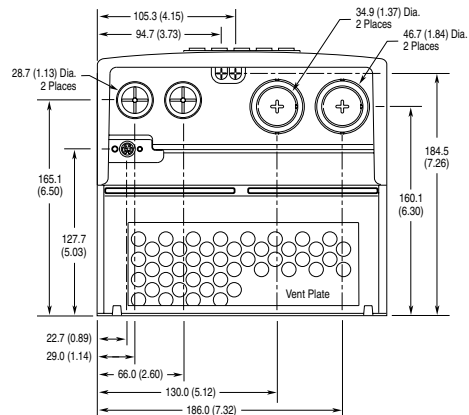
PowerFlex 700 Frames 0-3 Bottom View Dimensions



Frame 3 - All Drives except 50 HP, 480V (37 kW, 400V)



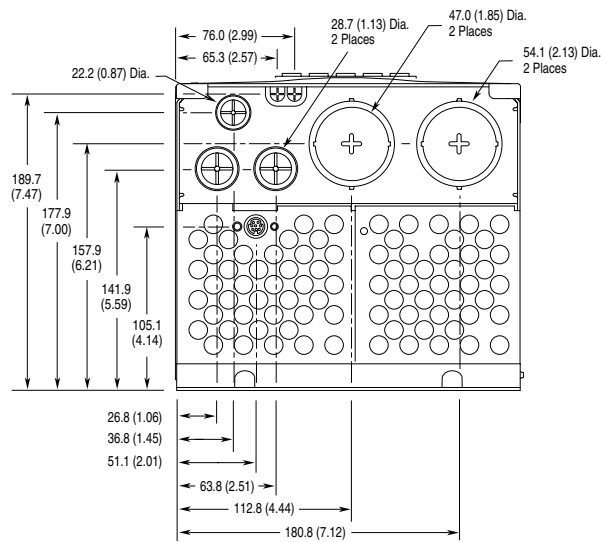
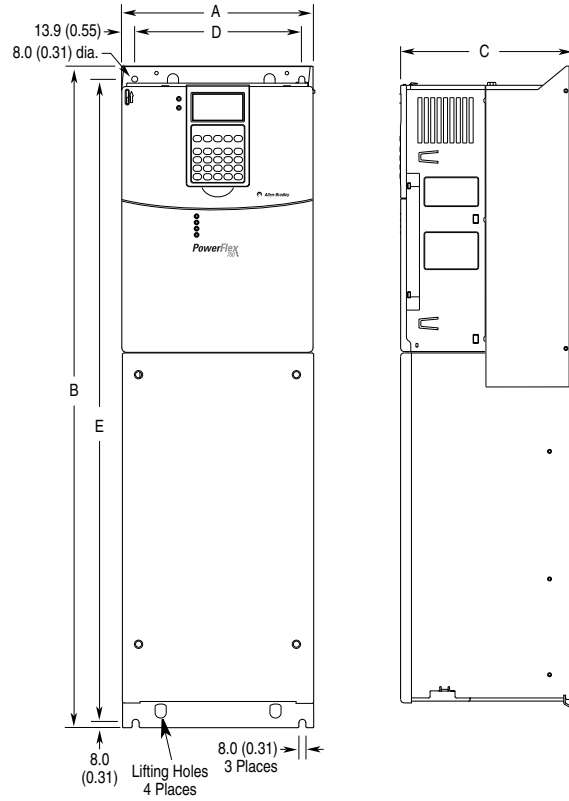
Frame 3 - 50 HP, 480V (37 kW, 400V), Normal Duty Drive



Specifications

Approximate Dimensions, Cont'd

PowerFlex 700 Frame 4 Dimensions



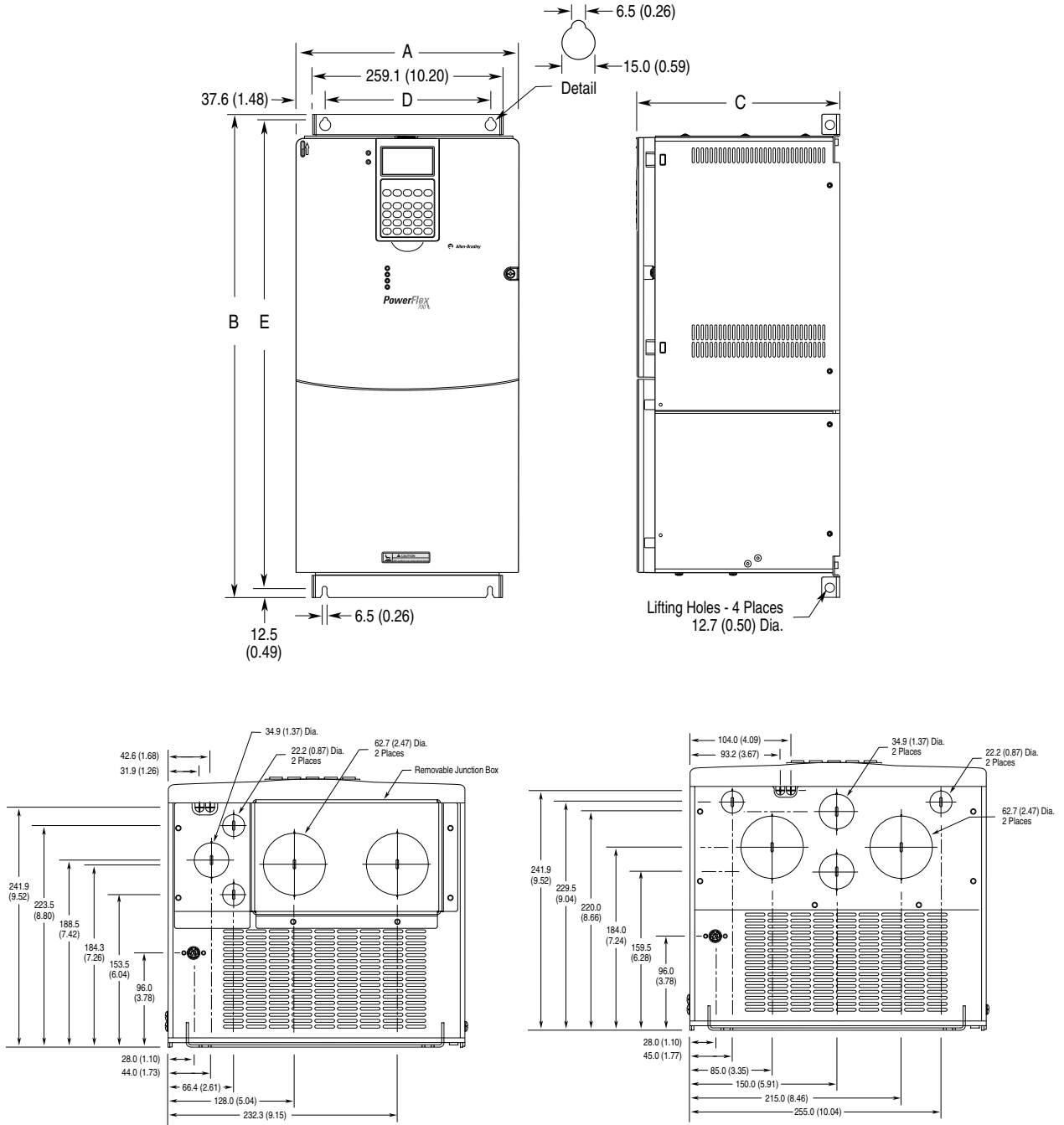
Frame	A (Max.)	B	C (Max.)	D	E	Approx. Weight (1) kg (lbs.)	
						Drive	Drive & Packaging
4	219.8 (8.65)	758.9 (29.88)	201.6 (7.94)	192.0 (7.56)	738.2 (29.06)	24.49 (54.0)	29.03 (64.0)

(1) Weights include HIM and Standard I/O.

Specifications

Approximate Dimensions, Cont'd

PowerFlex 700 Frame 5 Dimensions

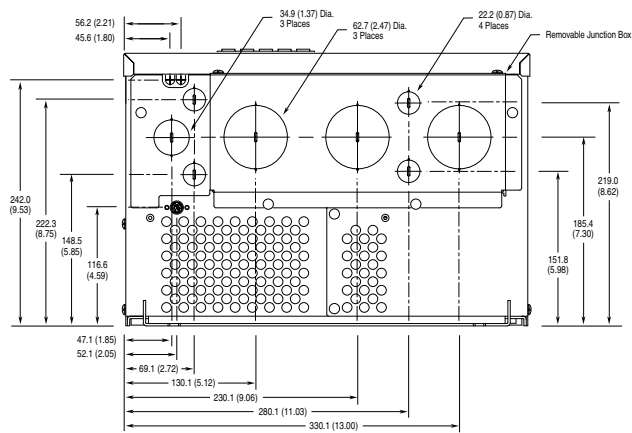
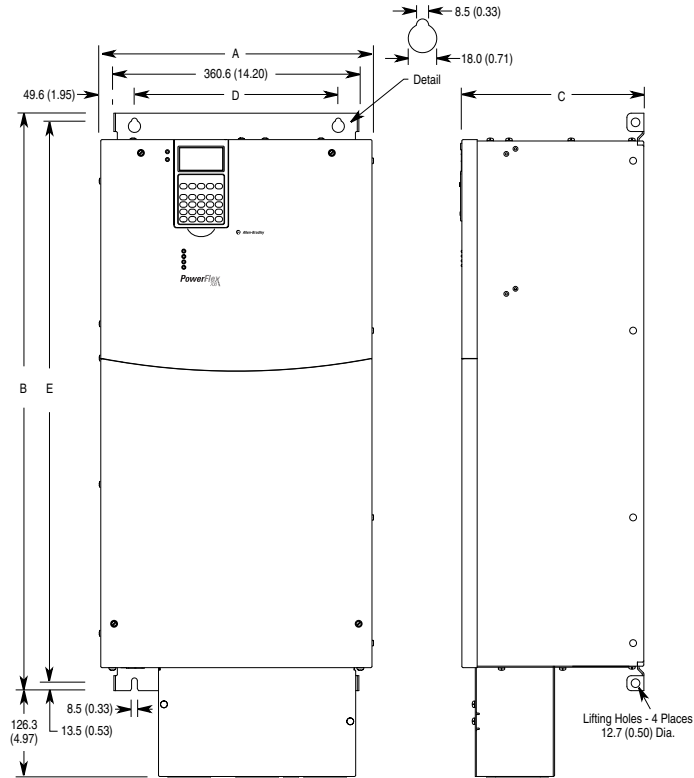


Frame	A	B	C	D	E	Weight ● kg (lbs.)	
						Drive	Drive & Packaging
5	308(12.16)	644.5(25.37)	275.4(10.84)	225.0(24.61)	625.0(24.61)	37.19(82.0)	42.18(93.0)

Specifications

Approximate Dimensions, Cont'd

PowerFlex 700 Frame 6 Dimensions



Frame	A (Max.)	B	C (Max.)	D	E	Approx. Weight (1) kg (lbs.)	
						Drive	Drive & Packaging
6	403.9 (15.90)	850.0 (33.46)	275.5 (10.85)	300.0 (11.81)	825.0 (32.48)	37.19 (82.0)	42.18 (93.0)

(1) Weights include HIM and Standard I/O.