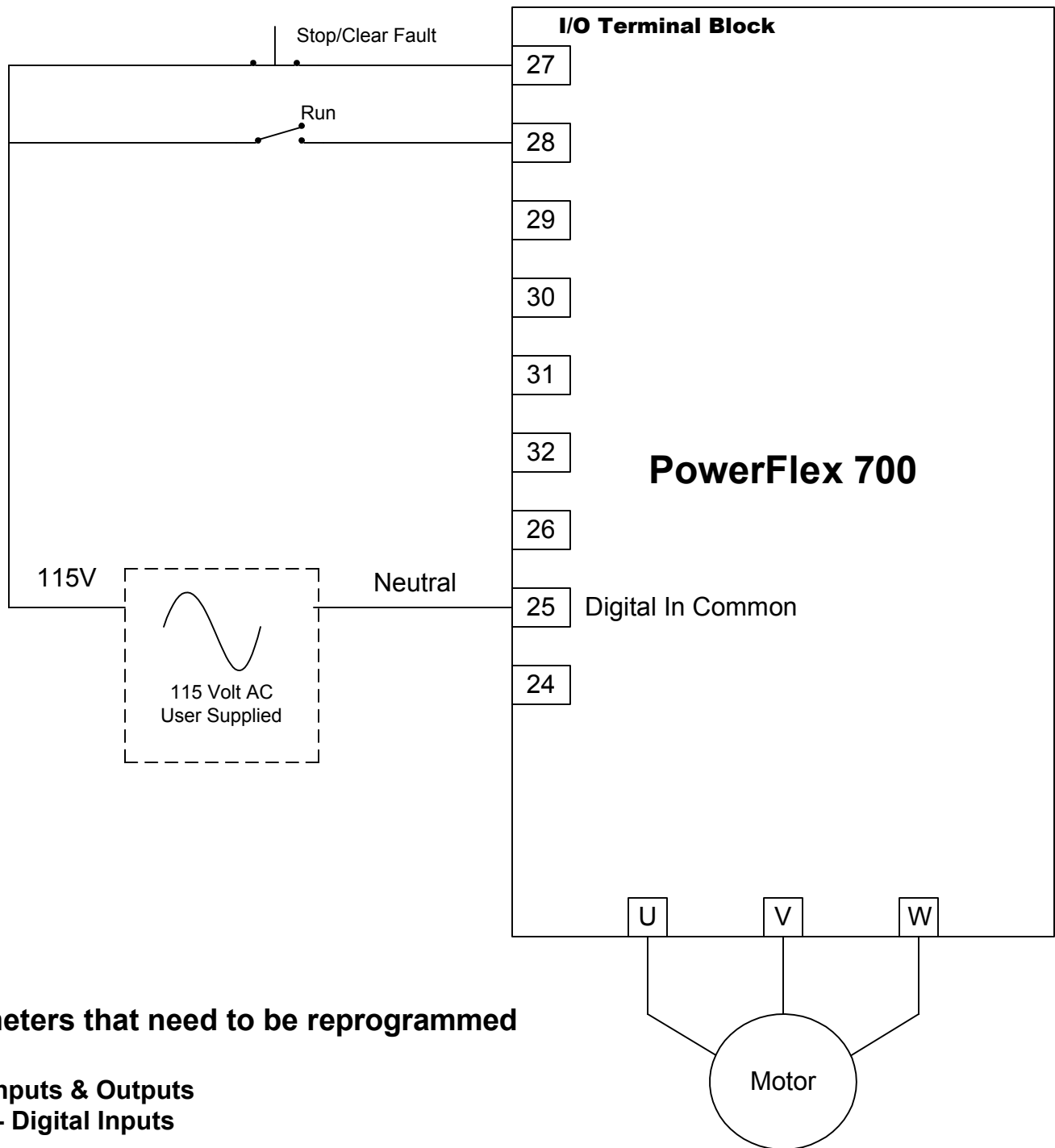


2 Wire Run/Stop, Clear Fault (Reset) User Supplied 115 AC volt Logic power



Parameters that need to be reprogrammed

File - Inputs & Outputs

Group - Digital Inputs

361 (Digital In1 Sel) = 4

362 (Digital In2 Sel) = 7

363 (Digital In3 Sel) = 10

364 (Digital In4 Sel) = 15

365 (Digital In5 Sel) = 16

366 (Digital In6 Sel) = 17