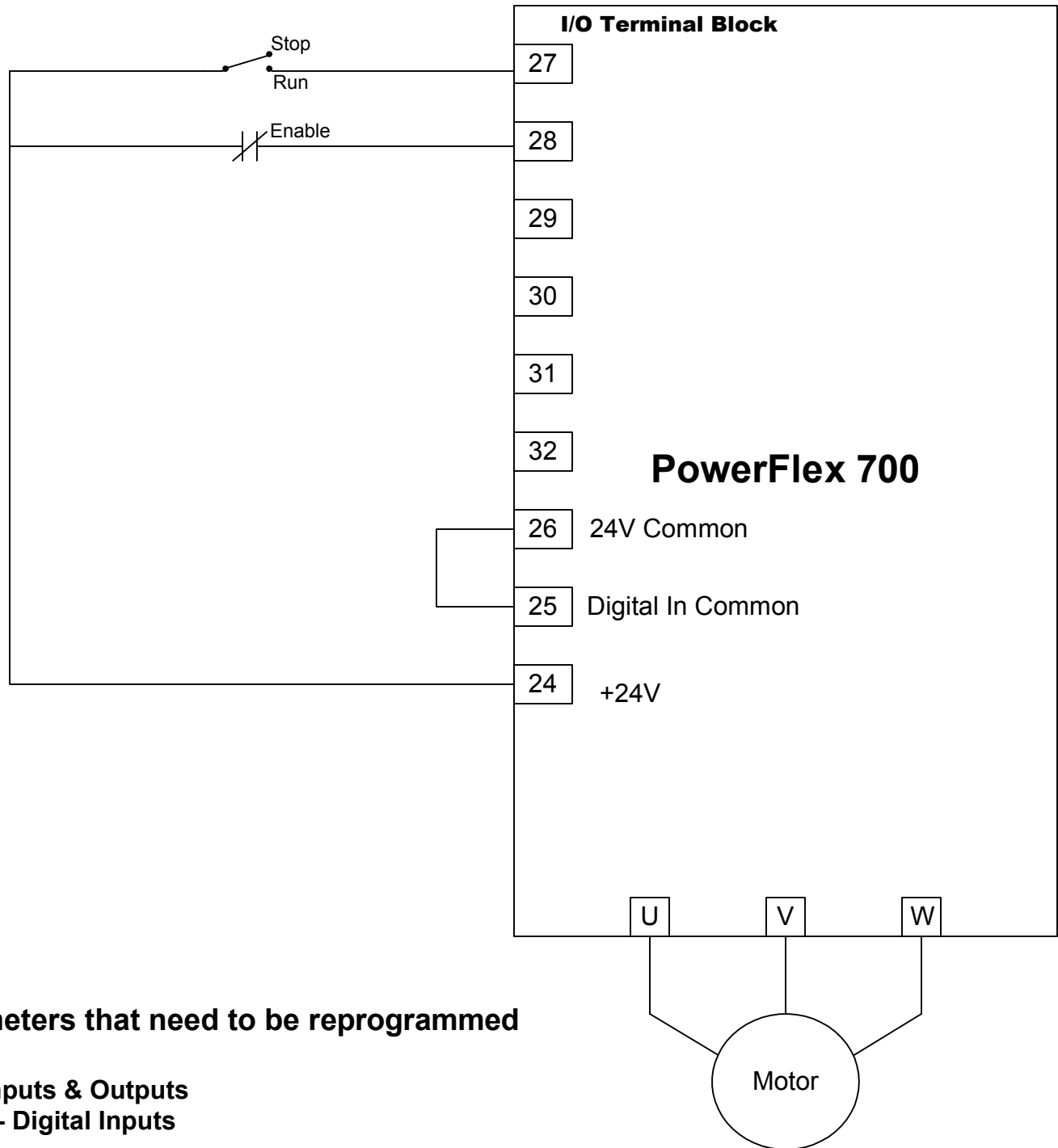


2-Wire, Run/Stop, Enable Drive Supply 24 volt Logic power



Parameters that need to be reprogrammed

File - Inputs & Outputs Group - Digital Inputs

- 361 (Digital In1 Sel) = 7
- 362 (Digital In2 Sel) = 1
- 363 (Digital In3 Sel) = 10
- 364 (Digital In4 Sel) = 15
- 365 (Digital In5 Sel) = 16
- 366 (Digital In6 Sel) = 17