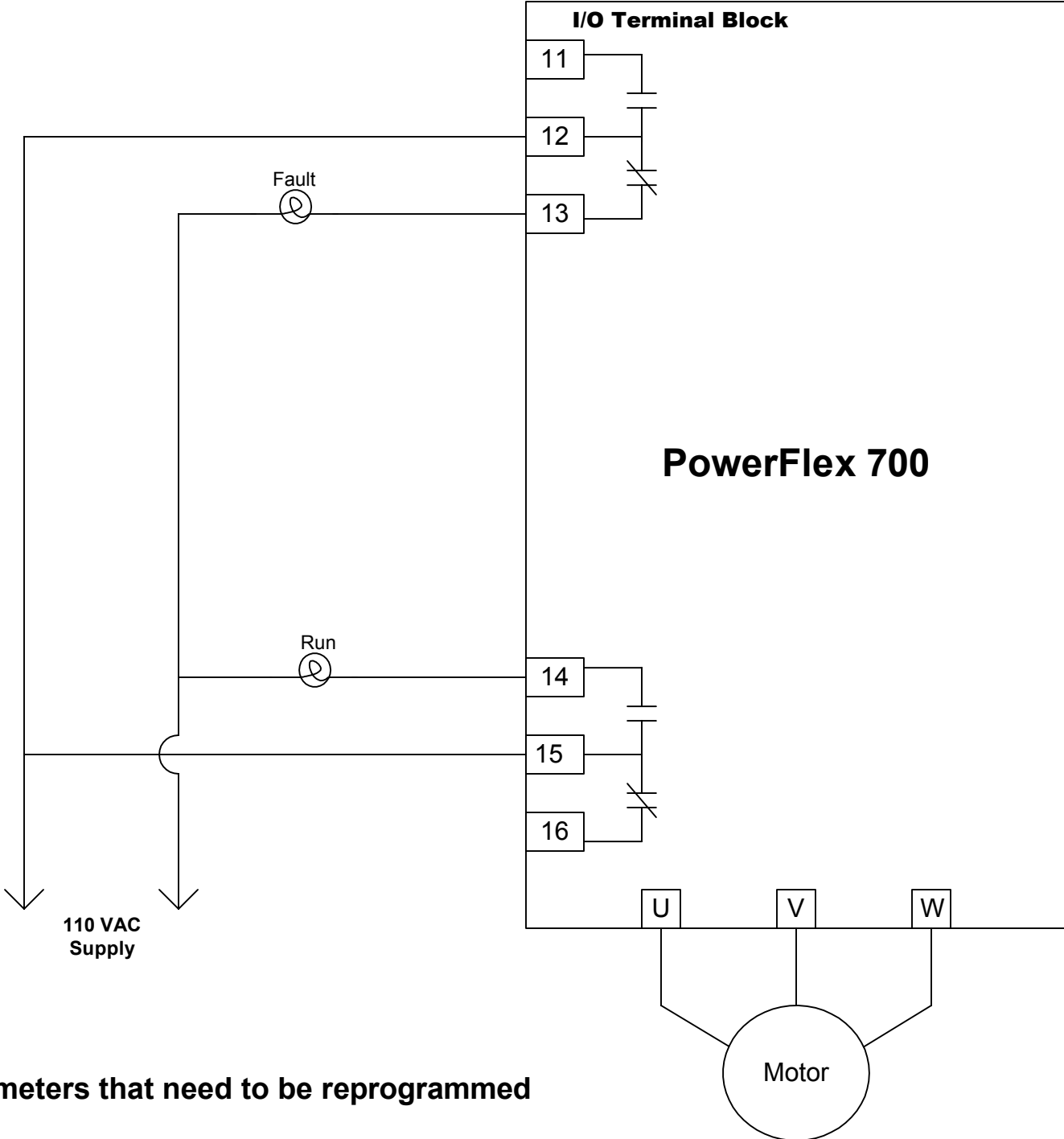


Output relay contact that changes states when drive is running and if drive is faulted.



Parameters that need to be reprogrammed

File - Inputs & Outputs
Group - Digital Outputs

380 (Digital Out1 Sel) = 1 (Fault)

384 (Digital Out2 Sel) = 4 (Run)