

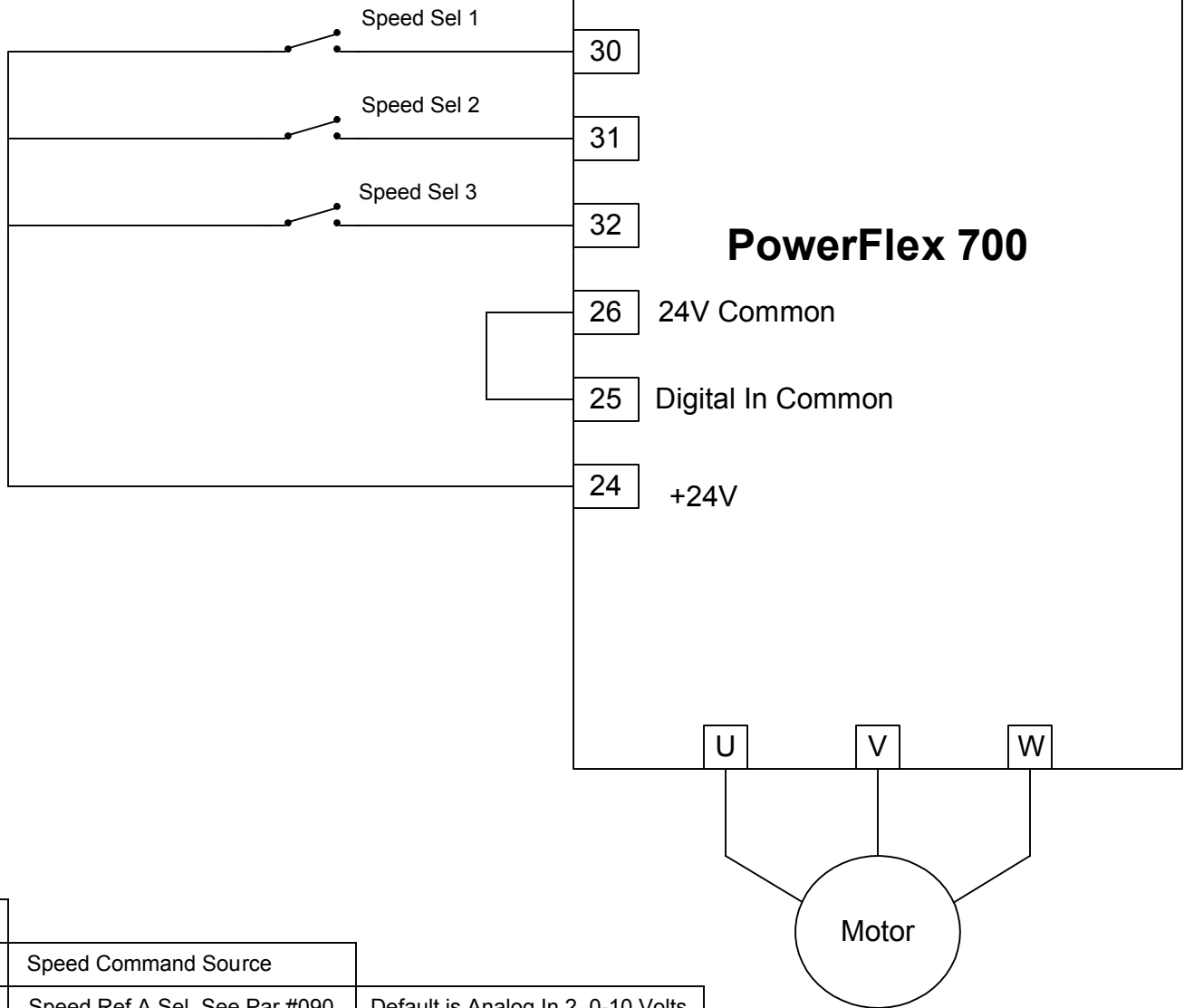
Selecting Multiple Speed Command Sources

Parameters that need to be reprogrammed

File - Utility

Group - Drive Memory

196 (Param Access Lvl) = 1 (Advanced)



Terminal				
6	5	4	Speed Command Source	
0	0	0	Speed Ref A Sel, See Par #090	Default is Analog In 2, 0-10 Volts
0	0	1	Speed Ref B Sel, See Par #093	Default is Preset 1, Par #101
0	1	0	Preset Speed 2, Par #102	
0	1	1	Preset Speed 3, Par #103	
1	0	0	Preset Speed 4, Par #104	
1	0	1	Preset Speed 5, Par #105	
1	1	0	Preset Speed 6, Par #106	
1	1	1	Preset Speed 7, Par #107	

Parameters that need to be reprogrammed

File - Inputs & Outputs

Group - Digital Inputs

- 361 (Digital In1 Sel) = N/A
- 362 (Digital In2 Sel) = N/A
- 363 (Digital In3 Sel) = N/A
- 364 (Digital In4 Sel) = 15
- 365 (Digital In5 Sel) = 16
- 366 (Digital In6 Sel) = 17