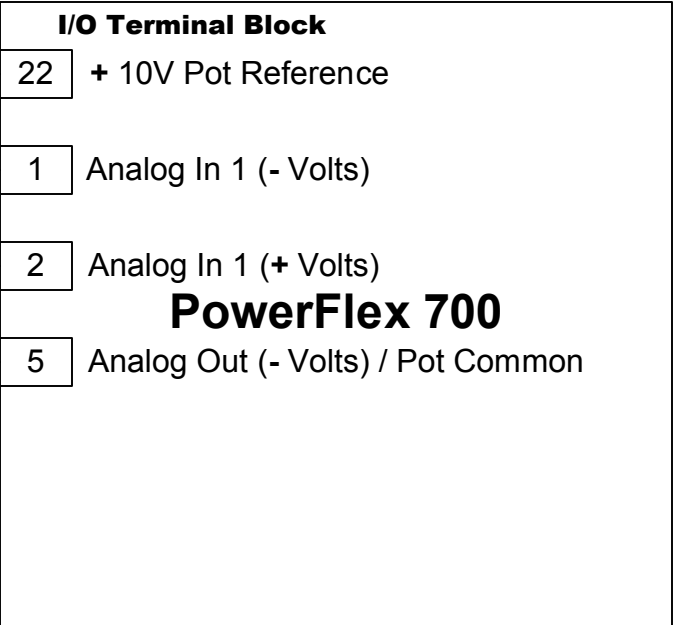
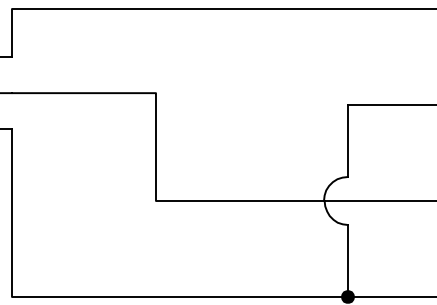


# Speed Pot Connections and Programming

10K Ohms Pot



**Parameters that need to be reprogrammed**

**File - Speed Command**  
**Group - Speed References**

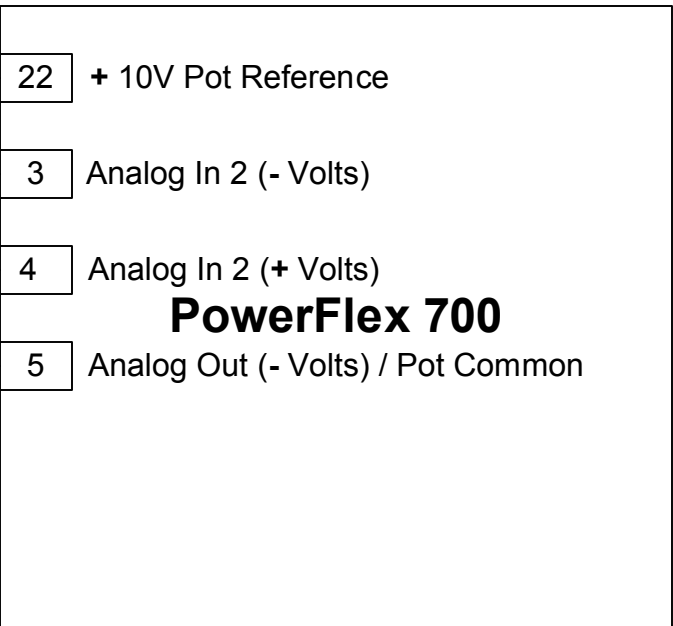
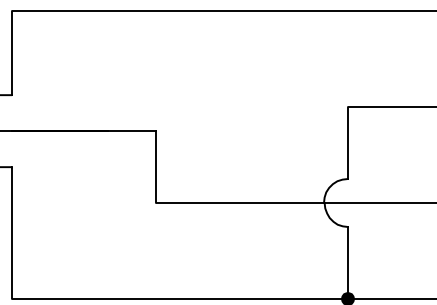
90 (Speed Ref A Sel) = 1 (Analog In 1)

**File - Inputs & Outputs**  
**Group - Analog Inputs**

320 (Anlg In Config) = Nibble 1 = XX00

**Or**

10K Ohms Pot



**Parameters that need to be reprogrammed**

**File - Speed Command**  
**Group - Speed References**

90 (Speed Ref A Sel) = 2 (Analog In 2)

**File - Inputs & Outputs**  
**Group - Analog Inputs**

320 (Anlg In Config) = Nibble 1 = XX00