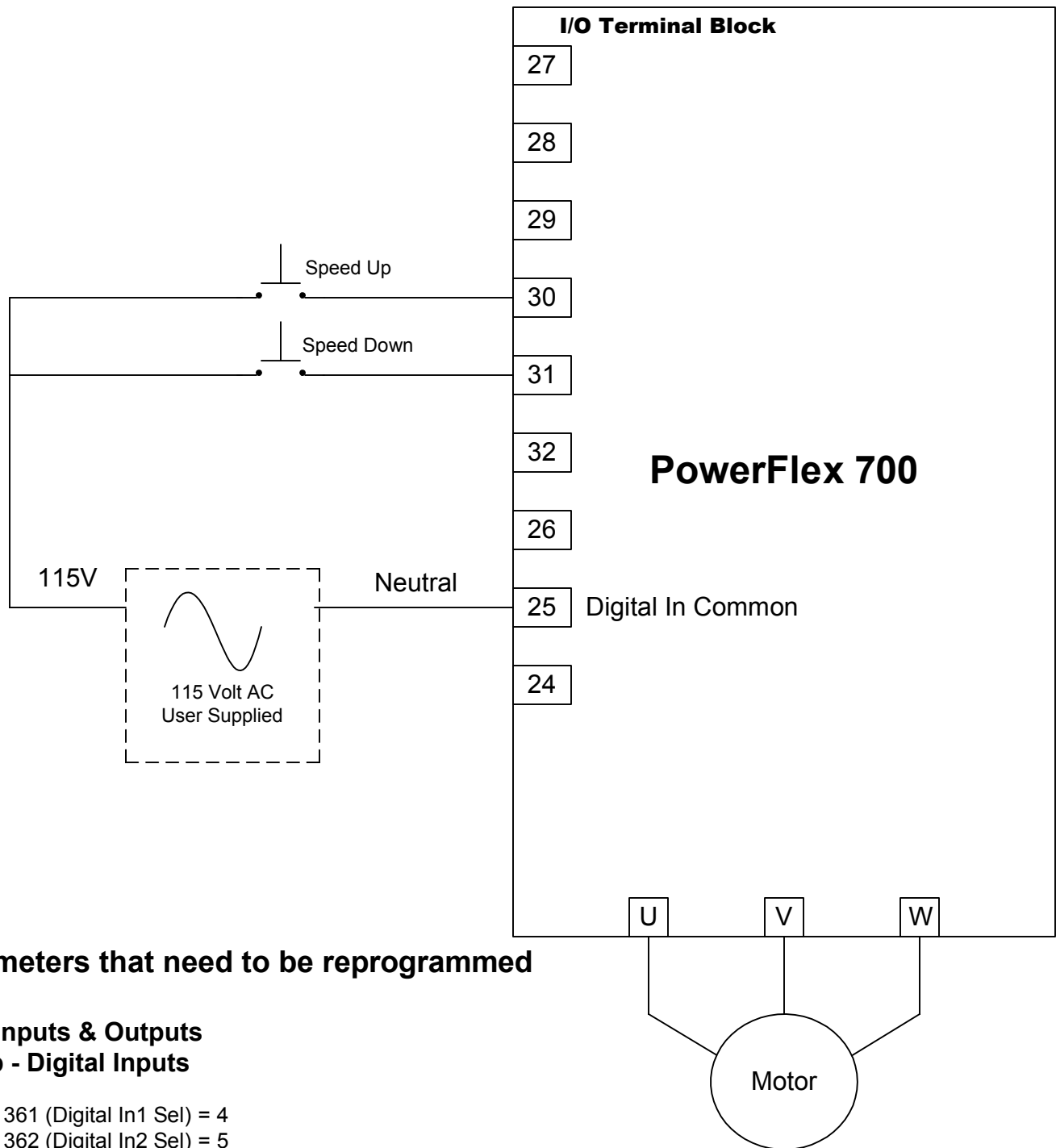


Using MOP Speed Control User Supplied 115 AC Volt Logic Power



Parameters that need to be reprogrammed

File - Inputs & Outputs Group - Digital Inputs

361 (Digital In1 Sel) = 4
362 (Digital In2 Sel) = 5
363 (Digital In3 Sel) = 10
364 (Digital In4 Sel) = 23
365 (Digital In5 Sel) = 24
366 (Digital In6 Sel) = 17

File - Speed Command Group - Speed References

90 (Speed Ref A Sel) = 9 (MOP Level)