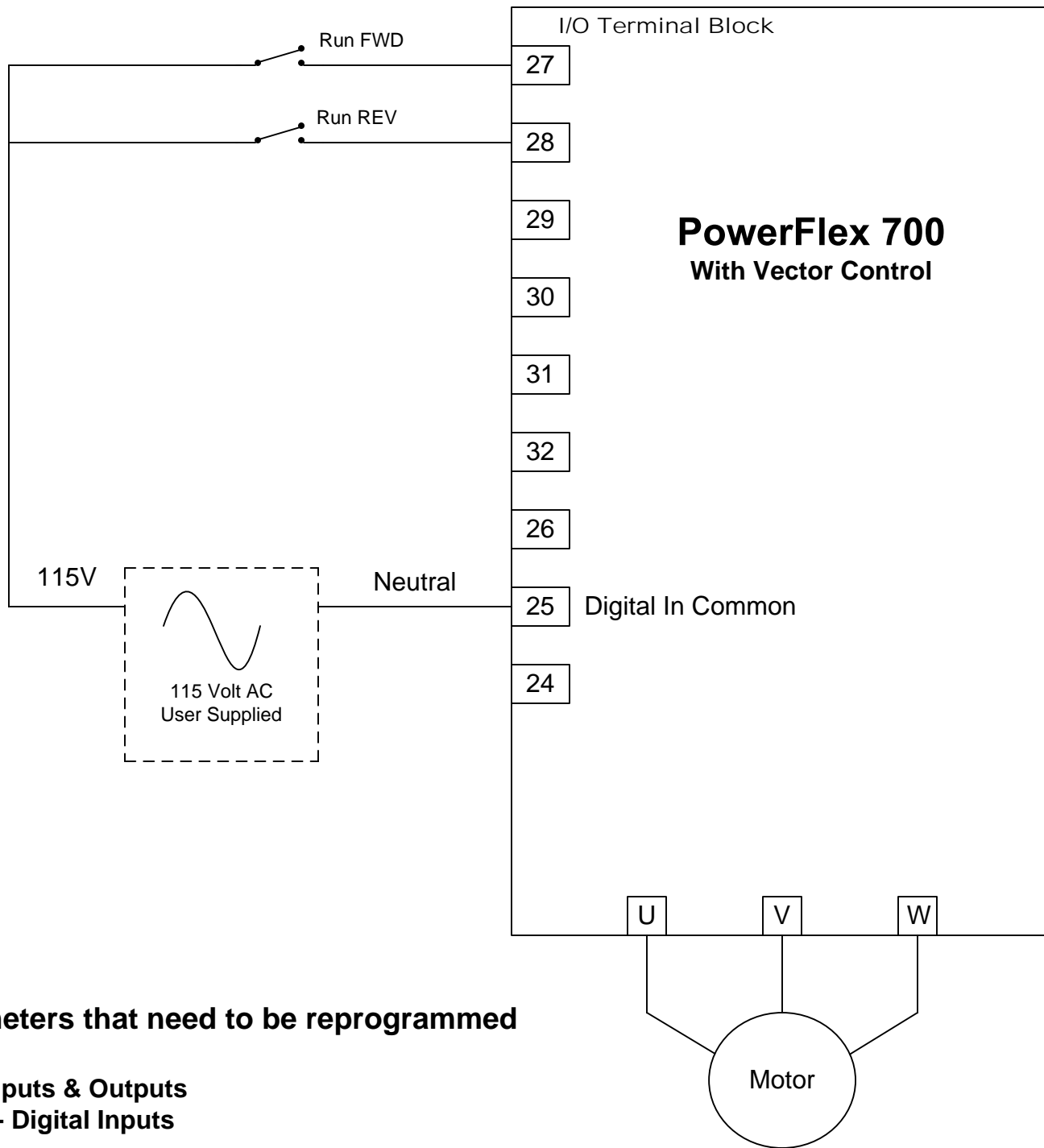


2 Wire Run FWD/Run REV

User Supplied 115 Volt AC Logic power



Parameters that need to be reprogrammed

File - Inputs & Outputs

Group - Digital Inputs

- 361 (Digital In1 Sel) = 8
- 362 (Digital In2 Sel) = 9
- 363 (Digital In3 Sel) = 0
- 364 (Digital In4 Sel) = 15
- 365 (Digital In5 Sel) = 16
- 366 (Digital In6 Sel) = 17