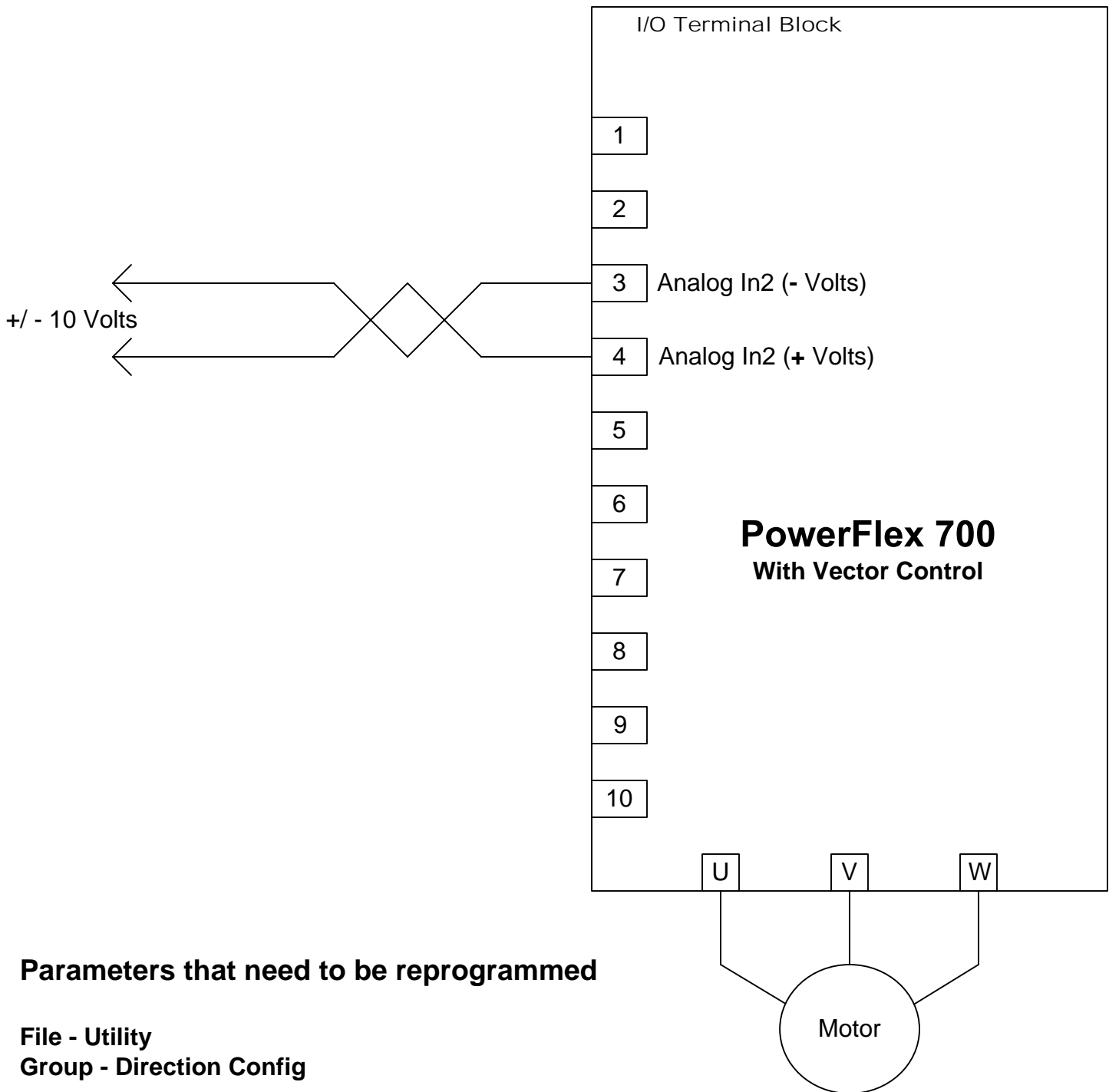


Bipolar Speed Command +/- 10 Volts



Parameters that need to be reprogrammed

File - Utility

Group - Direction Config

190 (Direction Mode) = 1 (Bipolar)

File - Speed Command

Group - Speed References

90 (Speed Ref A Sel) = 2 (Analog In 2)

File - Inputs & Outputs

Group - Analog Inputs

320 (Anlg In Config) = Nibble 1 = XX00