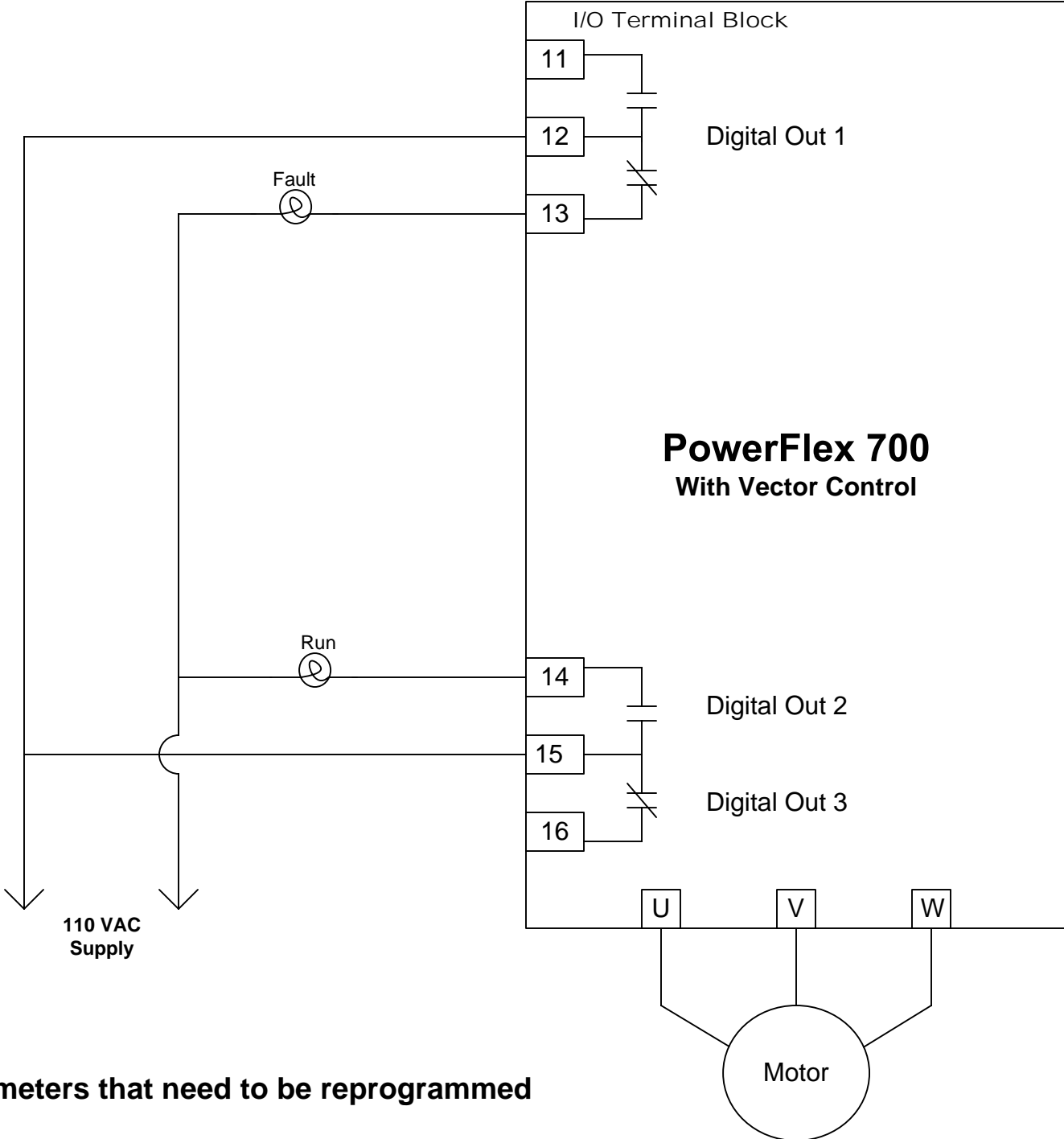


Output relay contact that changes states when drive is running and if drive is faulted.



Parameters that need to be reprogrammed

File - Inputs & Outputs Group - Digital Outputs

- 380 (Digital Out1 Sel) = 1 (Fault)
- 384 (Digital Out2 Sel) = 4 (Run)
- 388 (Digital Out3 Sel) = 4 (Run)