

Selecting Multiple Speed Command Sources

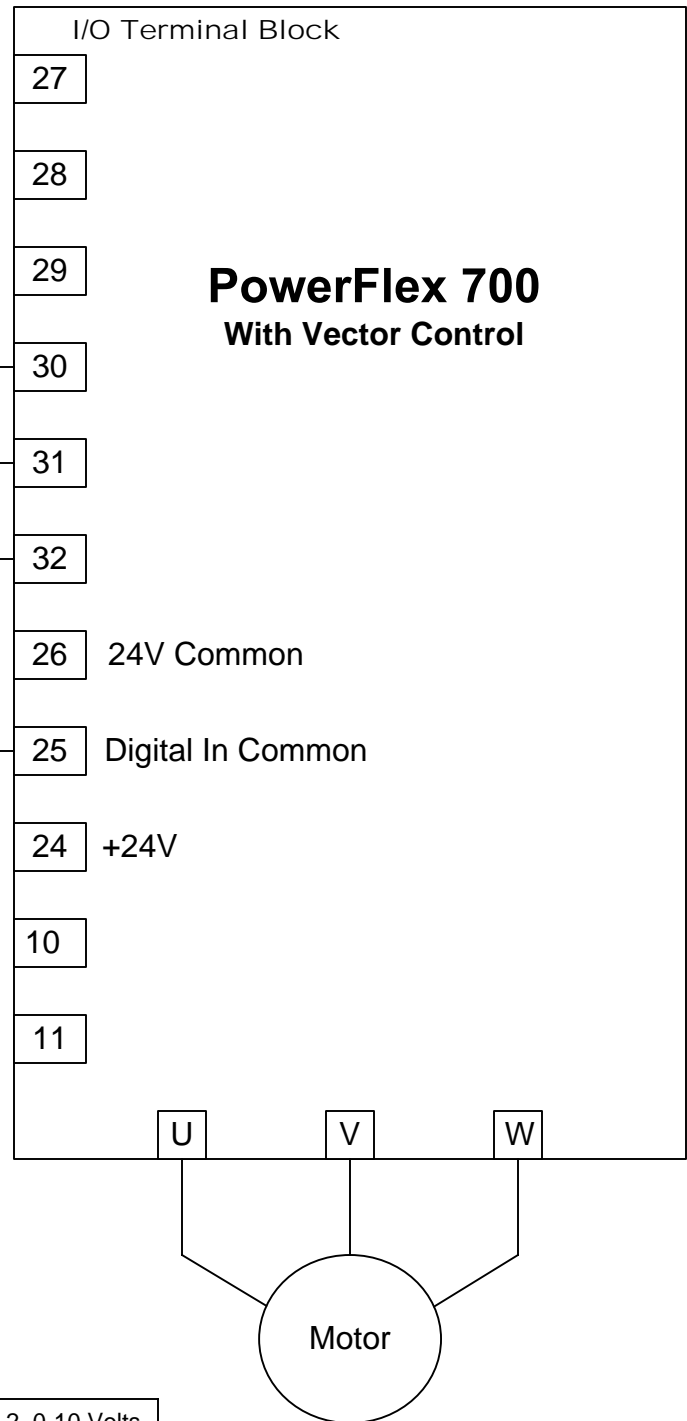
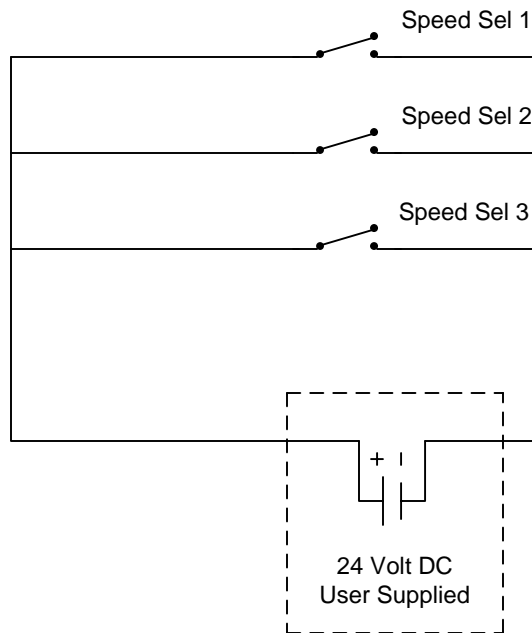
User Supplied 24 Volt Logic Power

Parameters that need to be reprogrammed

File - Utility

Group - Drive Memory

196 (Param Access Lvl) = 1 (Advanced)



| Terminal | | | | |
|----------|---|---|-------------------------------|------------------------------------|
| 6 | 5 | 4 | Speed Command Source | |
| 0 | 0 | 0 | Speed Ref A Sel, See Par #090 | Default is Analog In 2, 0-10 Volts |
| 0 | 0 | 1 | Speed Ref B Sel, See Par #093 | Default is Preset 1, Par #101 |
| 0 | 1 | 0 | Preset Speed 2, Par #102 | |
| 0 | 1 | 1 | Preset Speed 3, Par #103 | |
| 1 | 0 | 0 | Preset Speed 4, Par #104 | |
| 1 | 0 | 1 | Preset Speed 5, Par #105 | |
| 1 | 1 | 0 | Preset Speed 6, Par #106 | |
| 1 | 1 | 1 | Preset Speed 7, Par #107 | |

Parameters that need to be reprogrammed

File - Inputs & Outputs

Group - Digital Inputs

- 361 (Digital In1 Sel) = N/A
- 362 (Digital In2 Sel) = N/A
- 363 (Digital In3 Sel) = N/A
- 364 (Digital In4 Sel) = 15
- 365 (Digital In5 Sel) = 16
- 366 (Digital In6 Sel) = 17