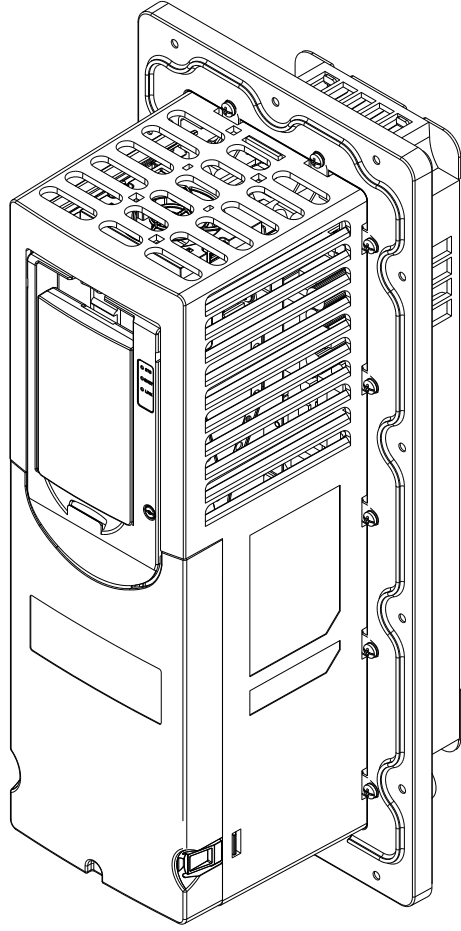
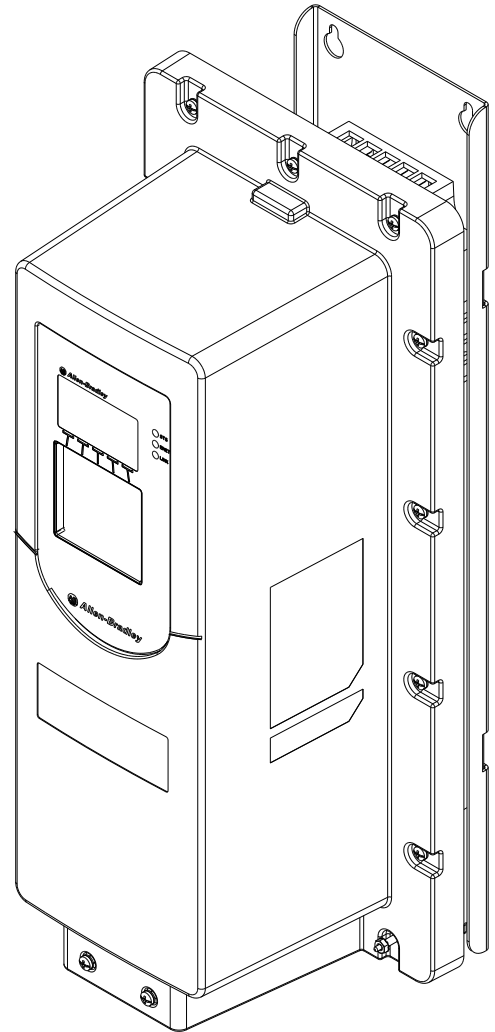


OPEN DRIVE



TYPE 4X, FLANGE DRIVE



TYPE 12 DRIVE

PARTS MUST CONFORM TO APPLICABLE ROCKWELL AUTOMATION MANUFACTURING STANDARDS
 CAD DOCUMENT
 FILE NAME: 357120-6

| REFERENCES | | OUTLINE DRAWING | | CONFIDENTIAL AND PROPRIETARY INFORMATION | |
|---------------|---|---------------------|------------------|---|---------------|
| REVISION | EMPHASIS APPLY BEFORE SURFACE TOLERANCE | FRAME 2 | | THIS DOCUMENT CONTAINS CONFIDENTIAL AND PROPRIETARY INFORMATION OF ROCKWELL AUTOMATION, INC. AND MAY NOT BE REPRODUCED, COPIED OR DISCLOSED TO OTHERS, EXCEPT WITH THE AUTHORIZED WRITTEN PERMISSION OF ROCKWELL AUTOMATION, INC. | |
| AUTHORIZATION | DIMENSIONS IN MILLIMETERS | POWERFLEX 753 & 755 | | | |
| | TOLERANCES UNLESS OTHERWISE SPECIFIED: | | | | |
| | .XX:± N/A | | | | |
| 03 | 1033405 | .XX:± N/A | DR. K.KALWARDT | DATE 06-19-07 | SHEET 1 OF 4 |
| 02 | 1031783 | ANGLES:± N/A | CHKD. K.KALWARDT | DATE 09-20-07 | DWG. 357120-6 |
| 01 | 1028532 | | APPD. J.BRUBAKER | DATE 09-20-07 | SIZE |